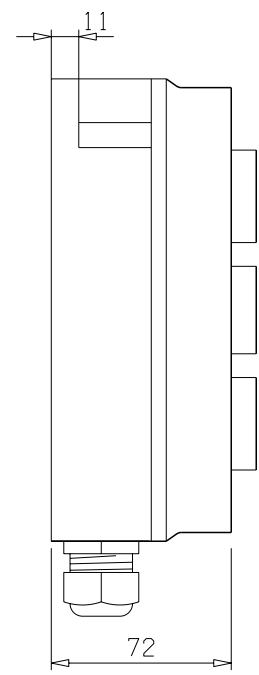
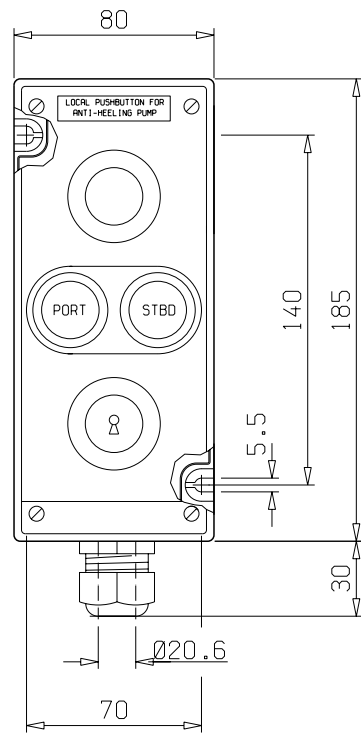



8 | 7 | 6 | 5 | 4 | 3 | 2 | 1

F
E
D
C
B
A



MATERIAL : ENCLOSURE MADE
GLASS FIBRE REINFORCED
POLYESTER RESIN.

DEGREE OF PROTECTION : IP66
CABLE ENTRY : M25 x 1.5
WEIGHT : 0.75kg

				Status	Sign.	Date	 Frank Mohn AS	This drawing is our property. It is not to be traced, copied or published without our written consent, nor to be misused in any way.
				Constr.	PT	22Nov99		
				Drawn by	BJD	22Nov99		
				Checked	KD	22Nov99		
A		Revised	PT/12Mar01	Prot. rel.			LOCAL START BUTTON	Replaces:
R.	Zone	R.0.no.	Sign./Date	Prod. rel.	KD	22Nov99		0381-1452-3
								Replaced by: