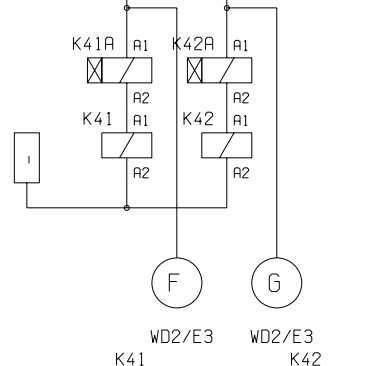
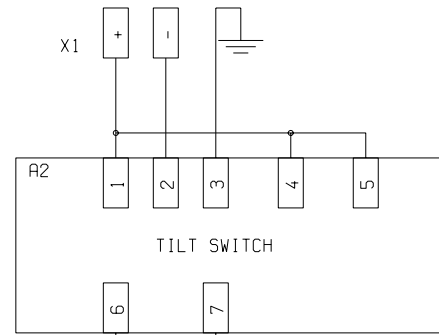
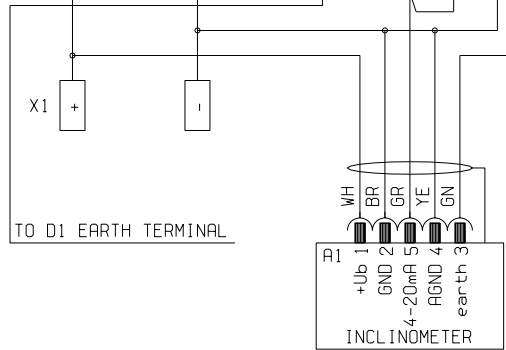
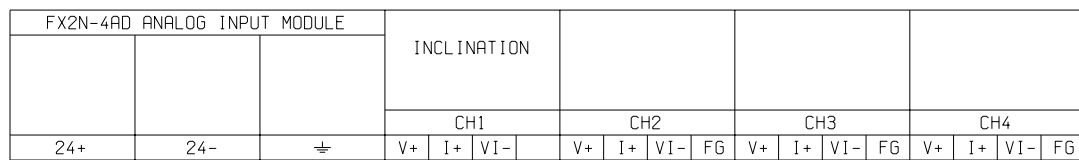


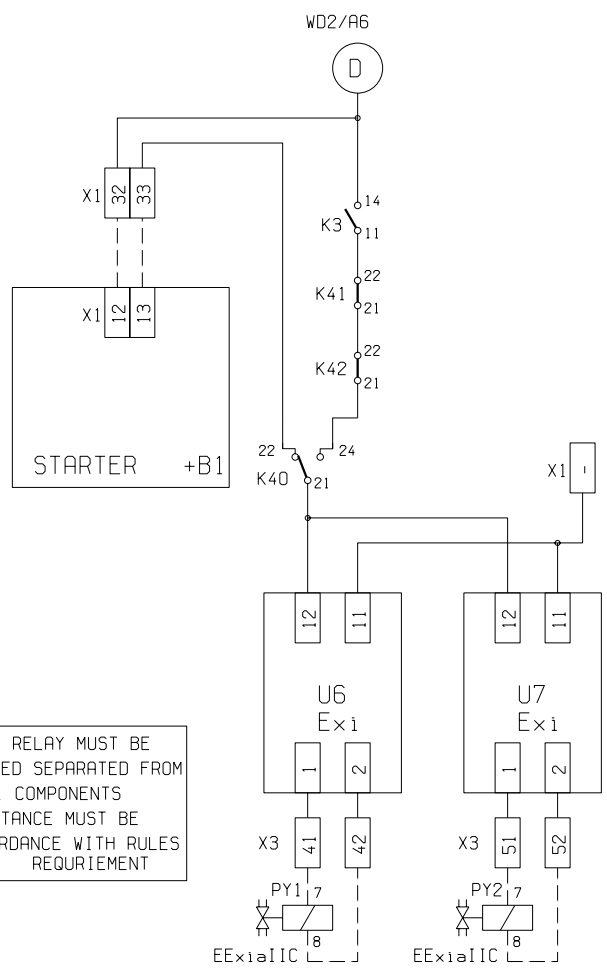


D2



NO	NC	NO	NC
-	WD3-E2	-	WD3-E2
-	WD4-E2	-	WD4-E2

THE EX1 RELAY MUST BE INSTALLED SEPARATED FROM NON EX1 COMPONENTS THE DISTANCE MUST BE IN ACCORDANCE WITH RULES REQUIREMENT



+P1

R.	Zone	R.O.no.	Sign./Date	Status	Sign.	Date
				Constr.	PT	07Dec06
				Drawn by	PT	07Dec06
				Checked	EGJ	07Dec06
				Prot. rel.		
				Prod. rel.	EGJ	07Dec06

Frank Mohn AS

WIRING DIAGRAM 4

This drawing is our property. It is not to be traced, copied or published without our written consent, nor to be misused in any way.

Replaces:

0222-5638-304

Replaced by: