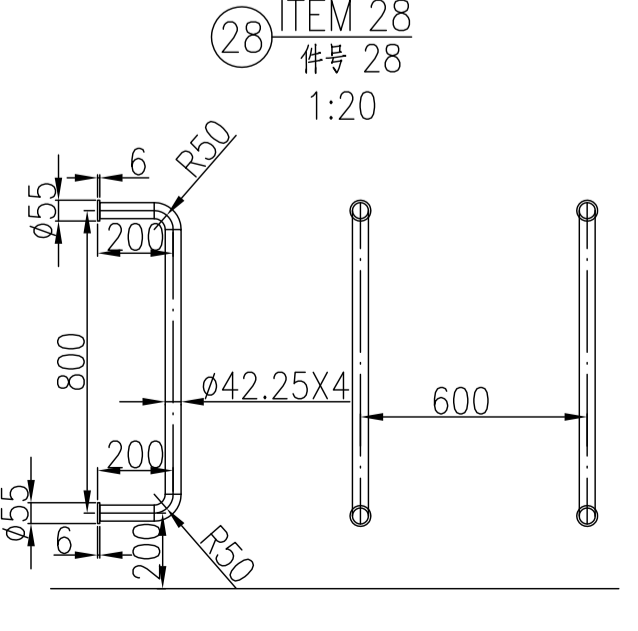
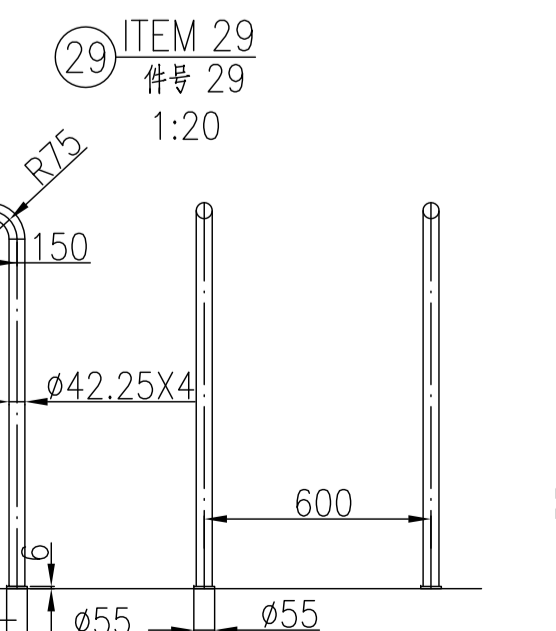
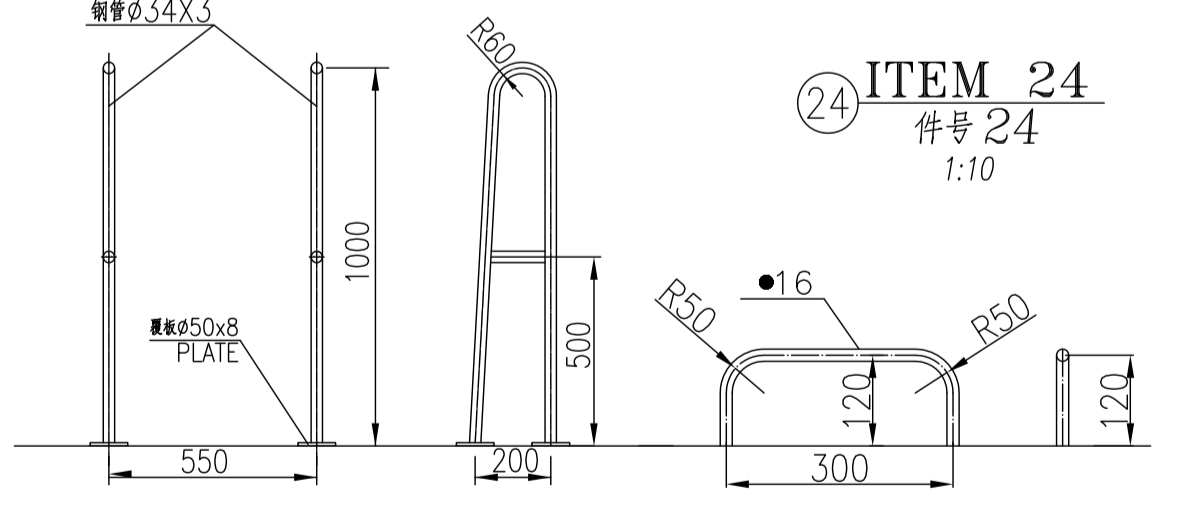
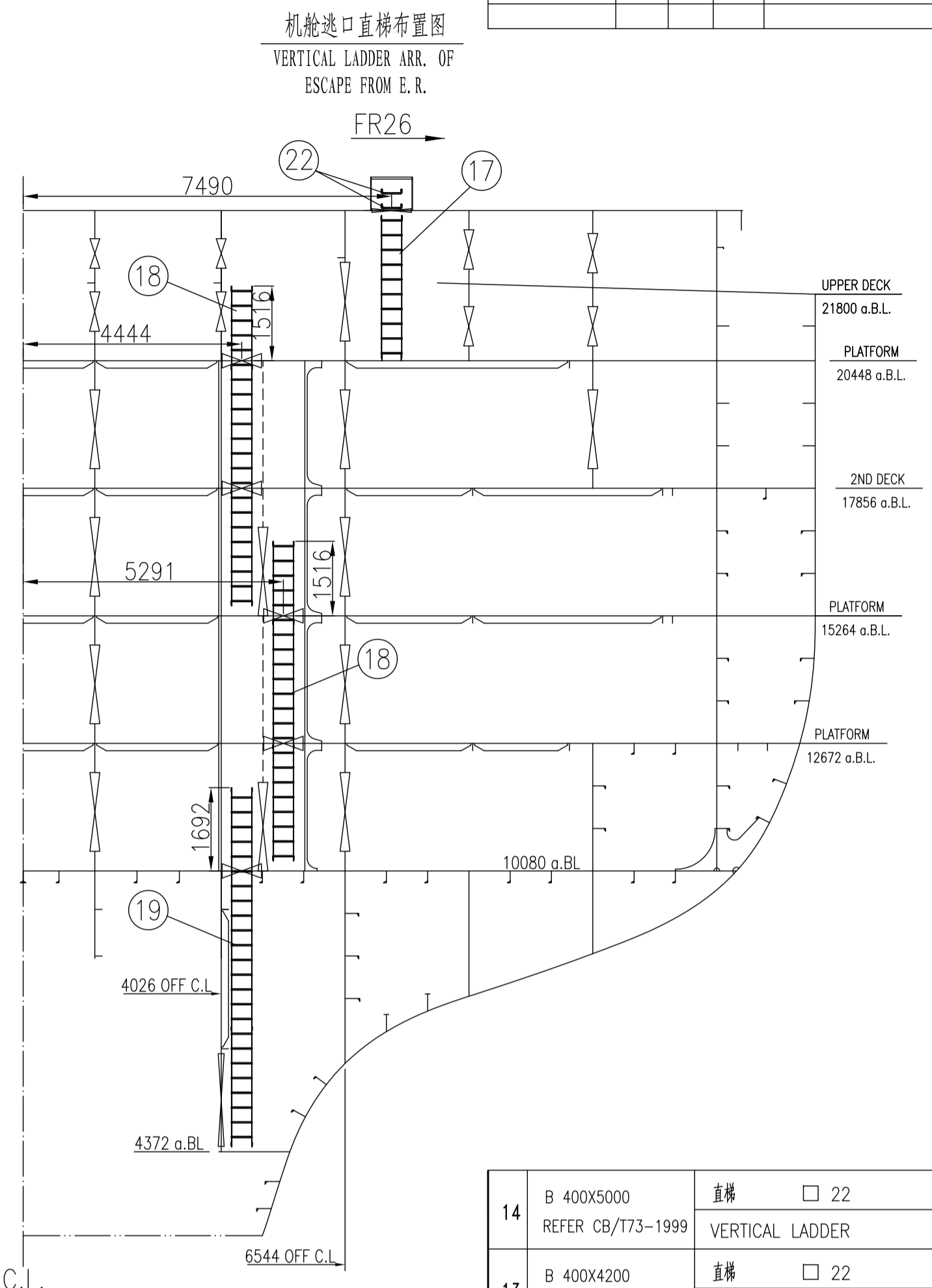
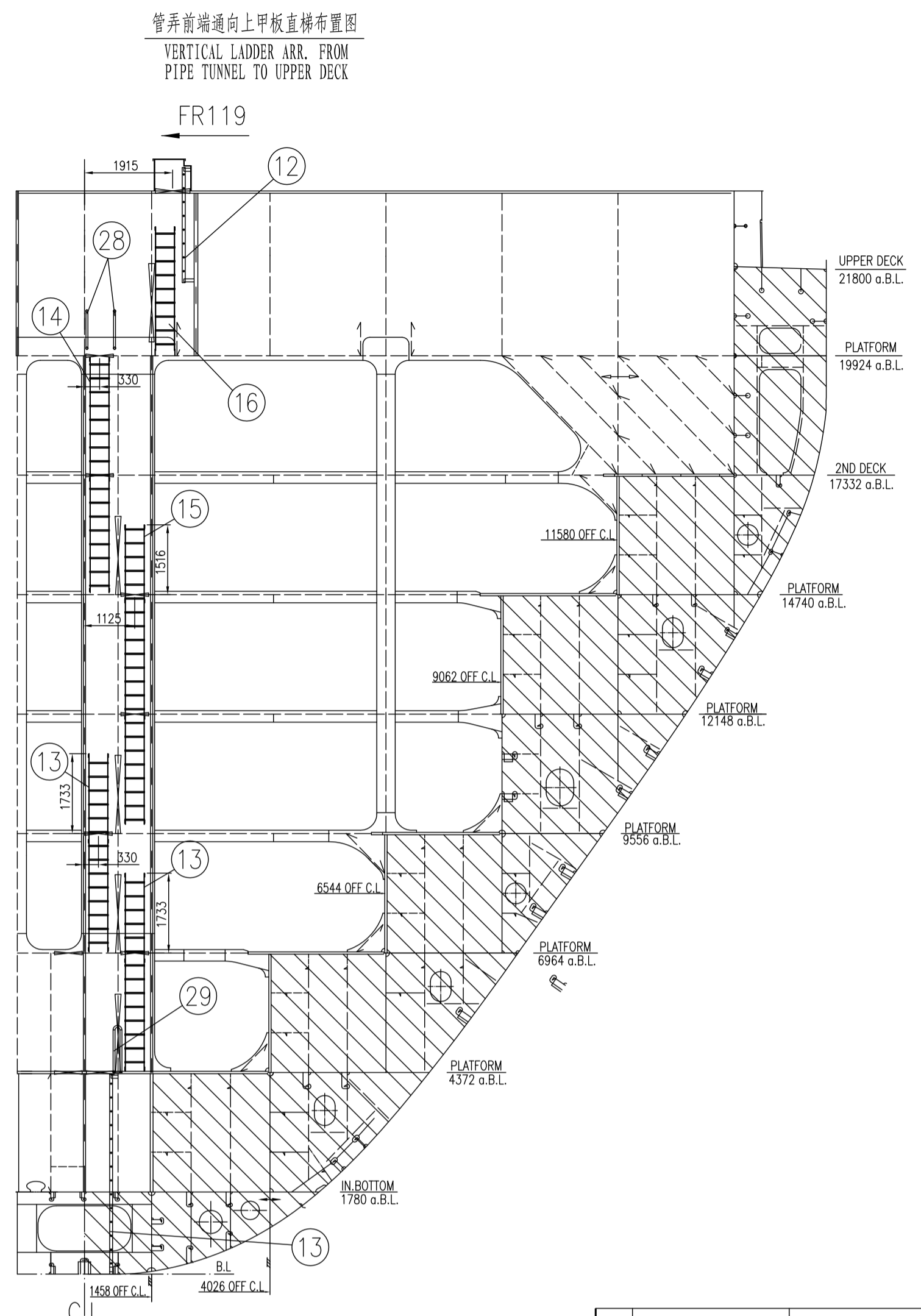
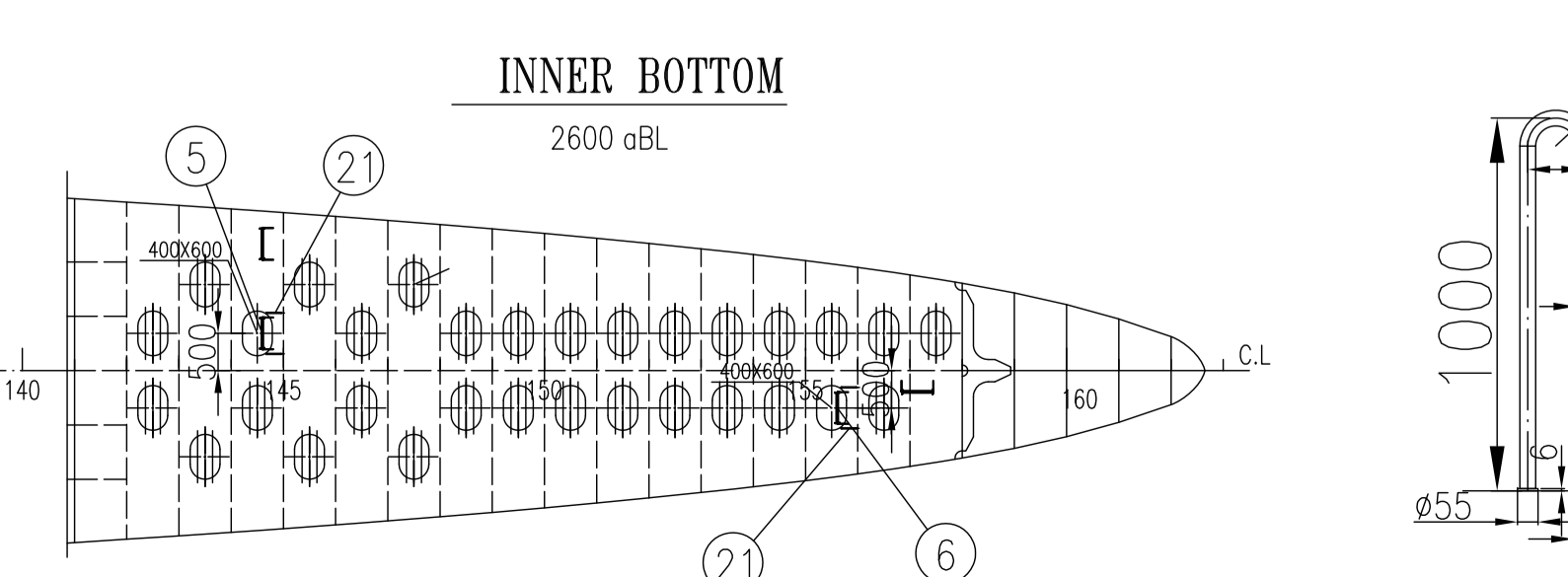
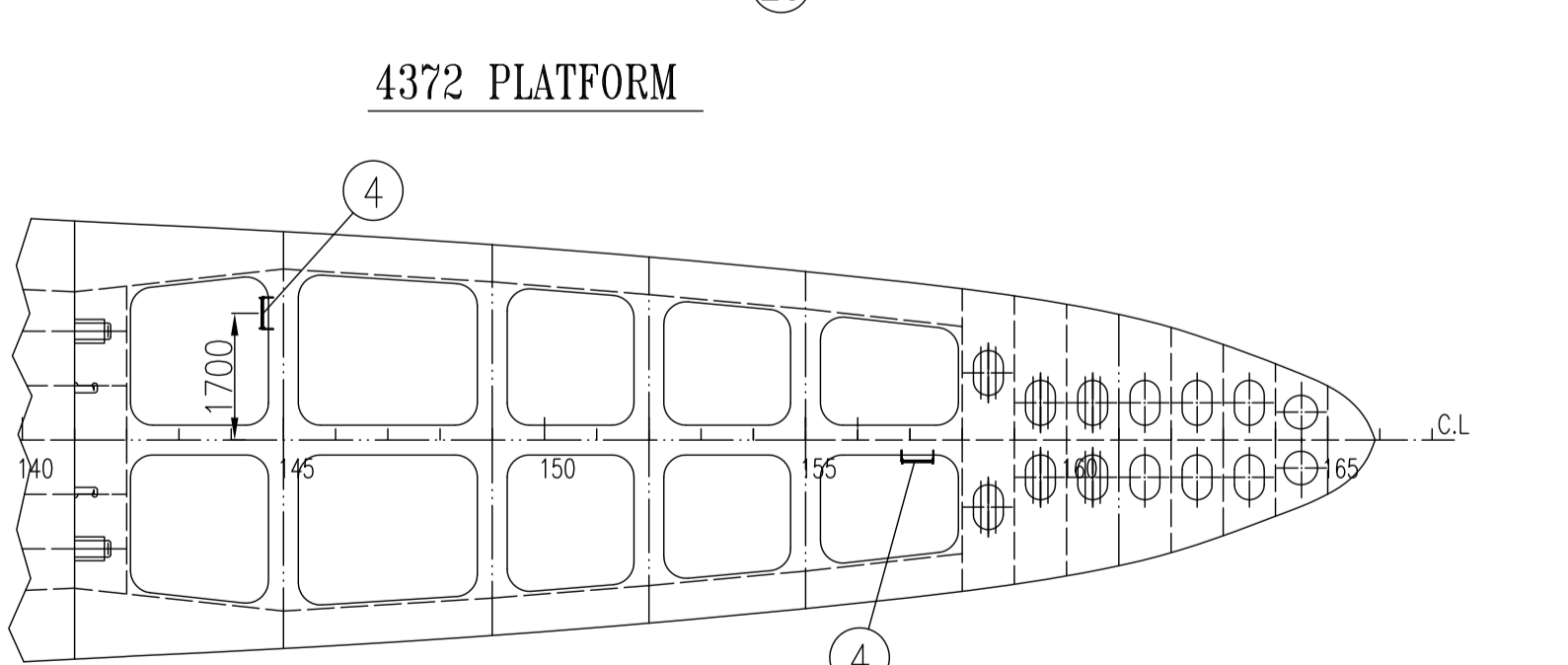
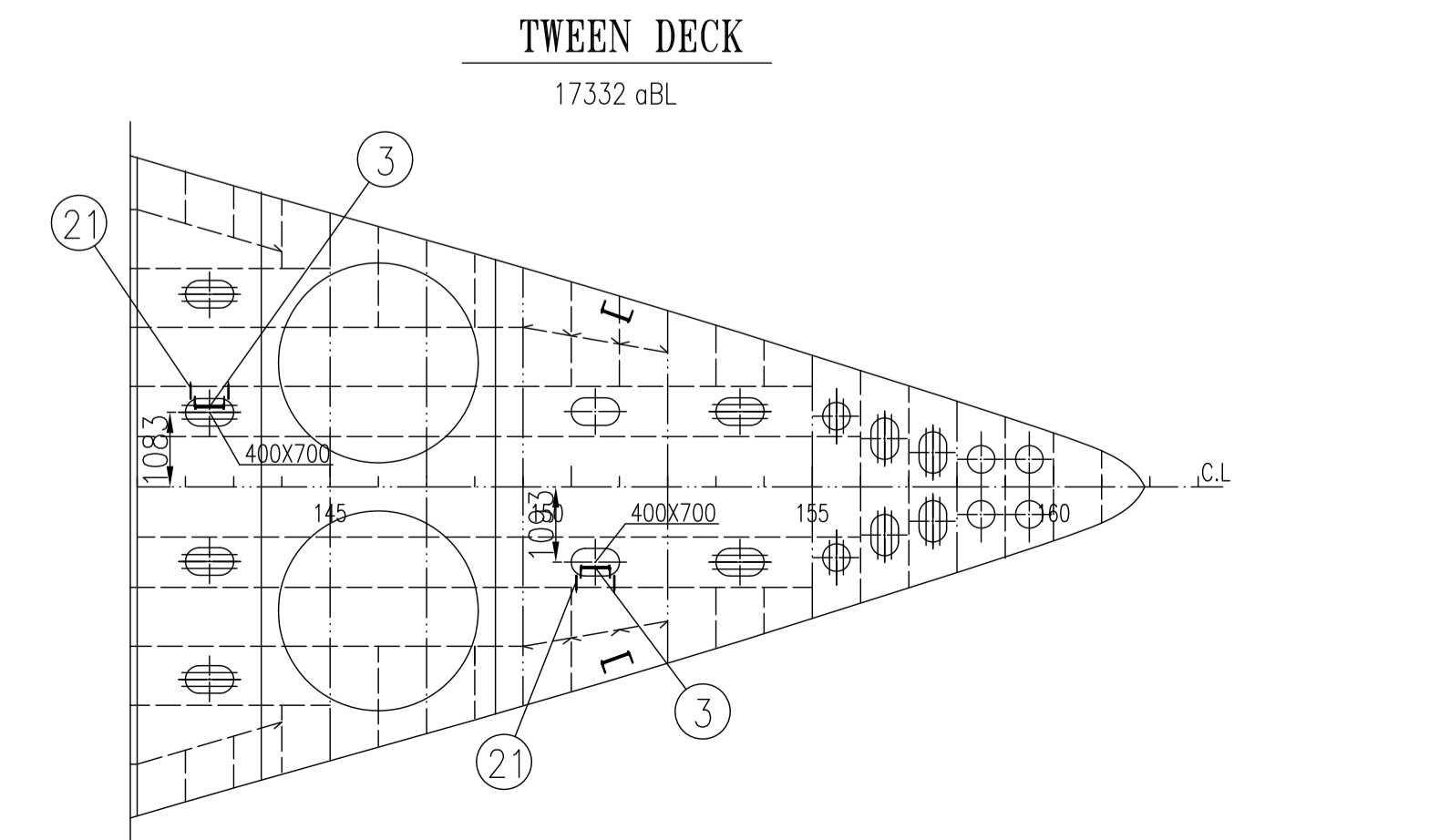
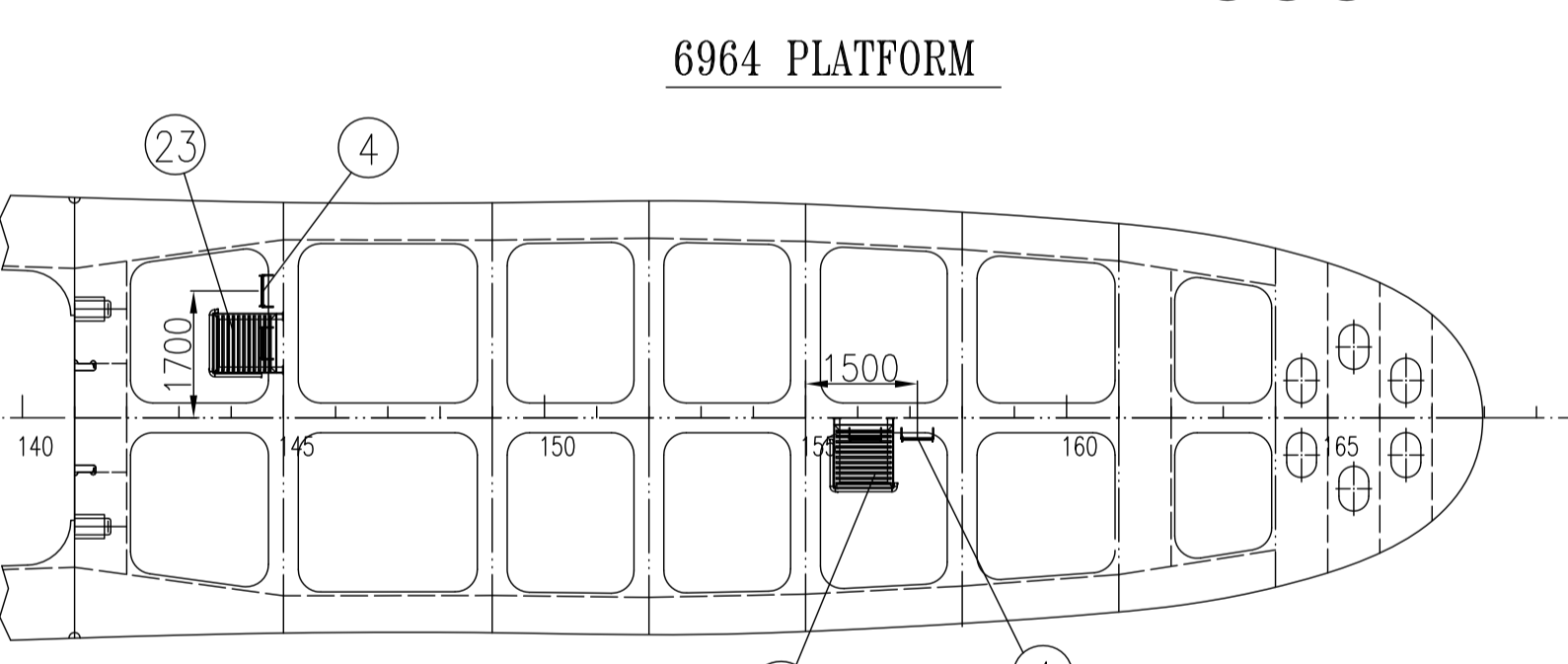
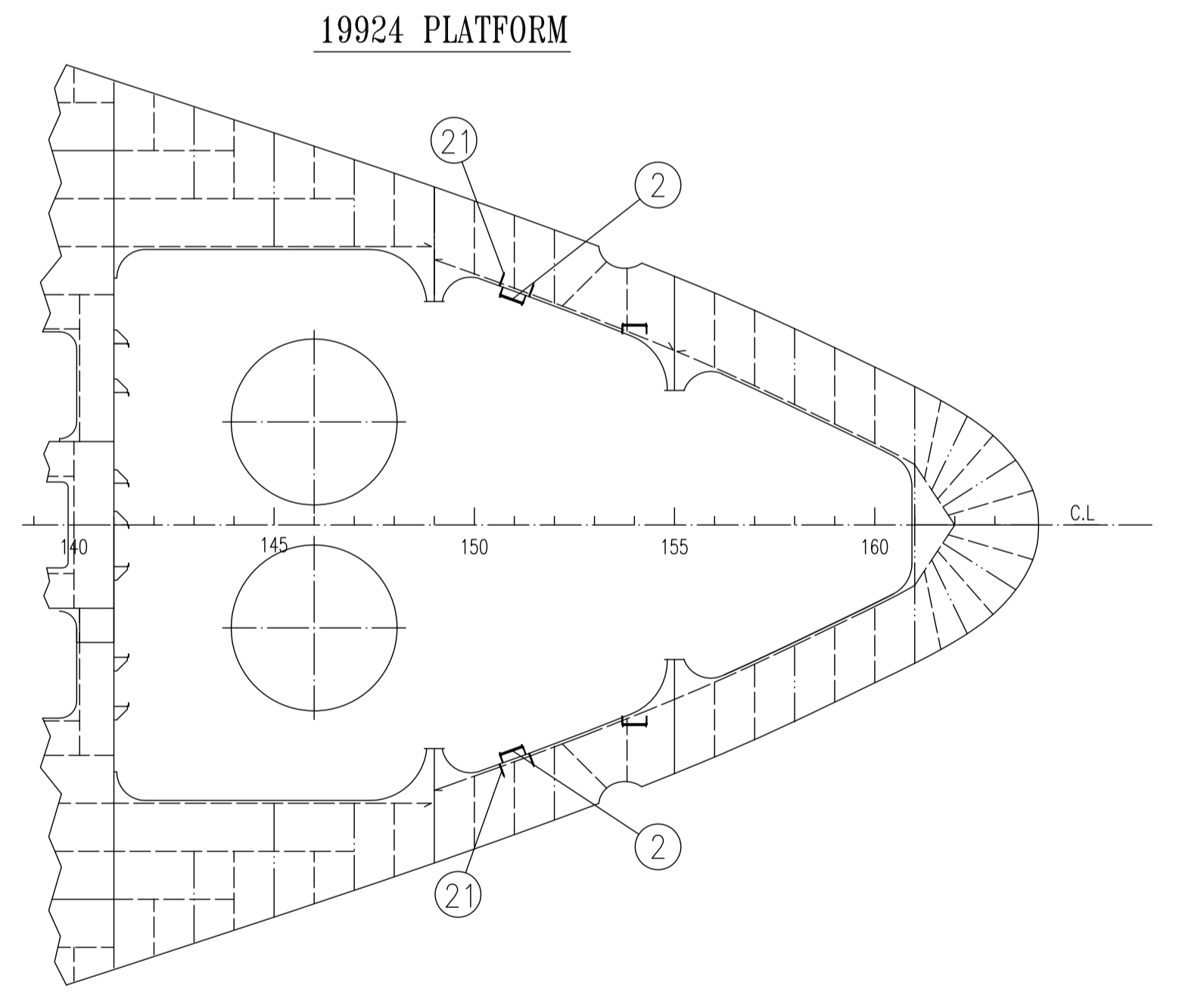
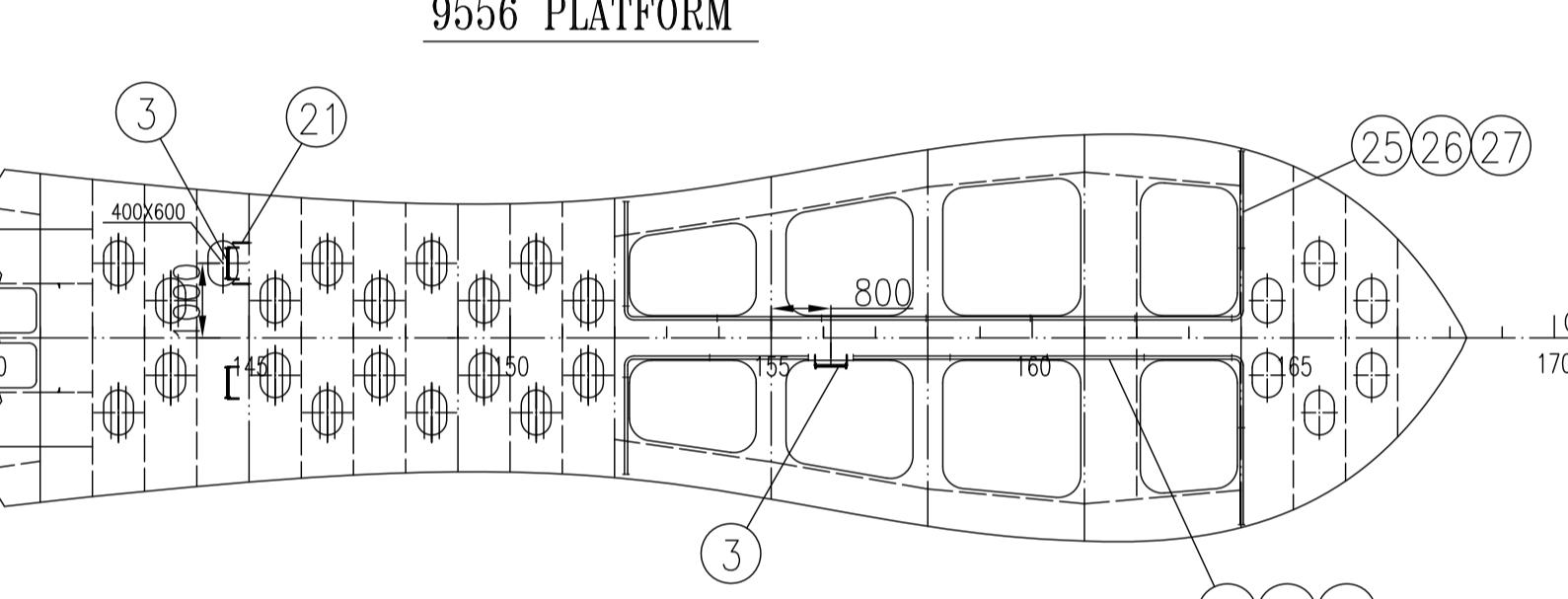
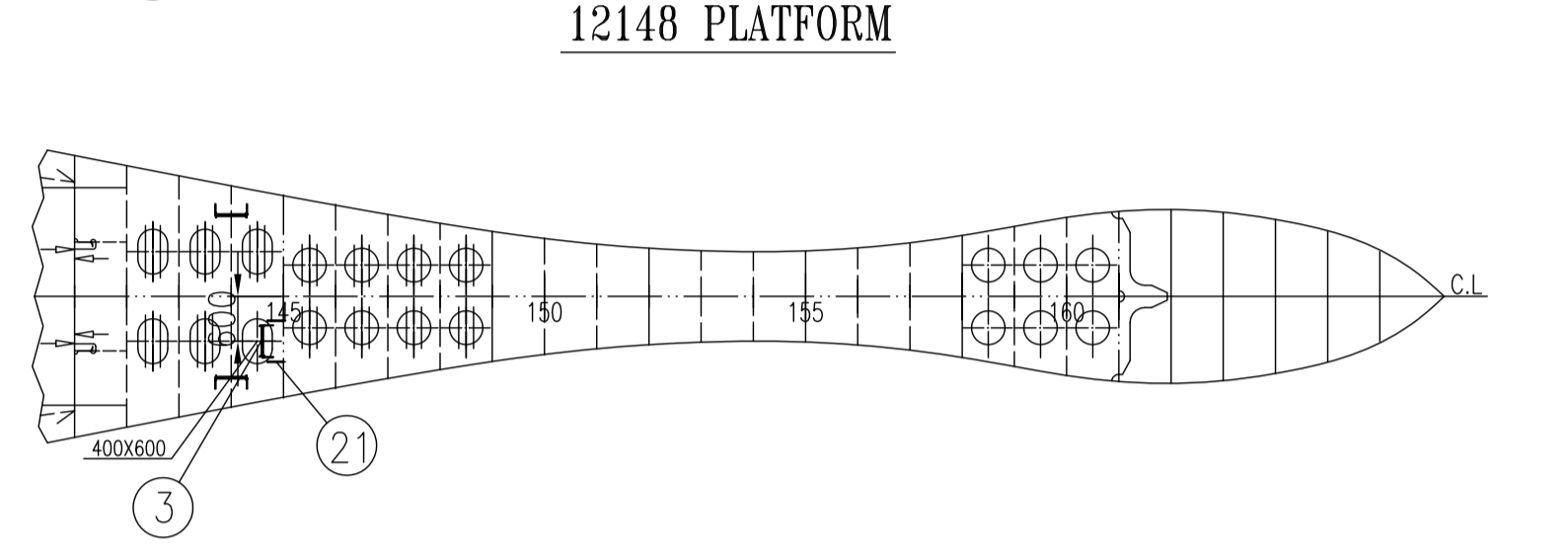
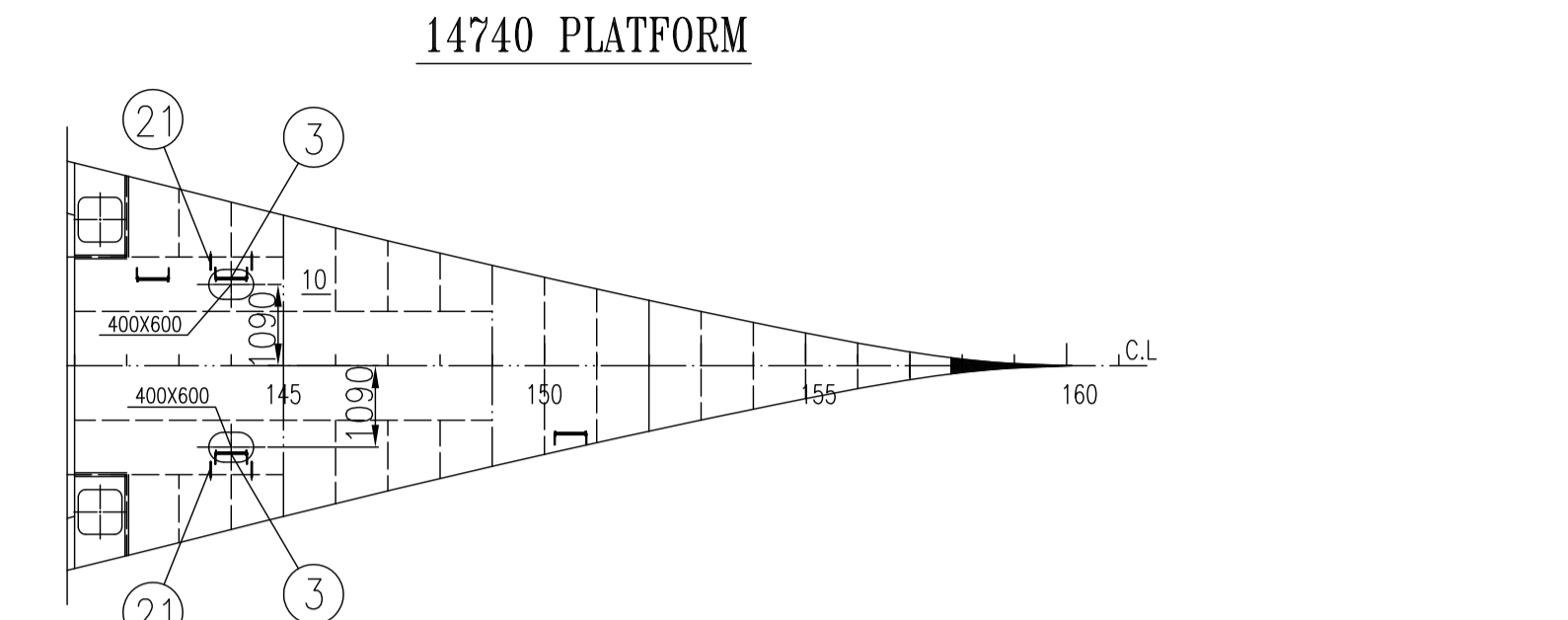
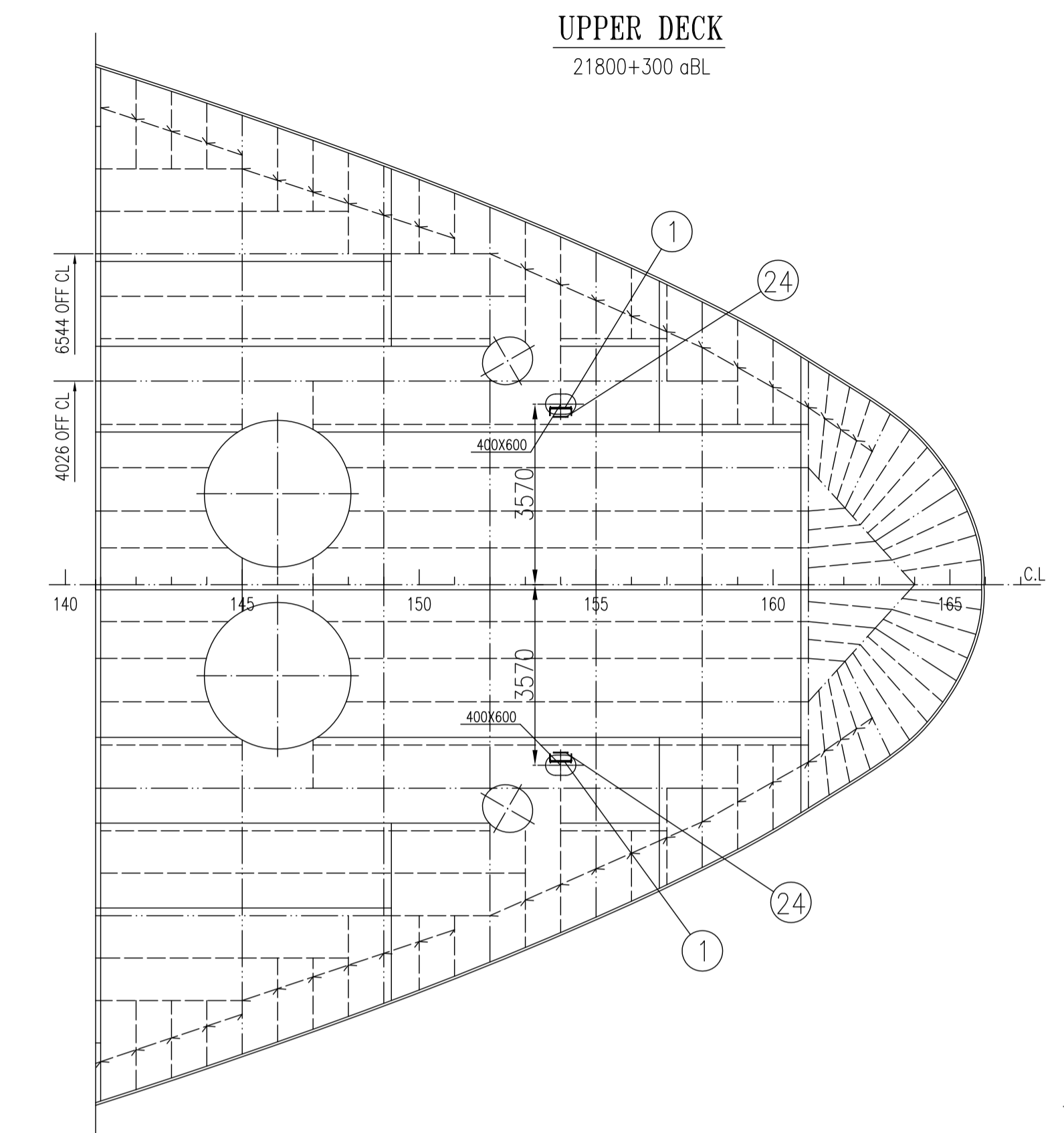


日期	标记	数量	版本	修改	说明	页码	设计	审核
DATE	MARKER	NUMBER	REV.	MODIFICATION	NO./DESCRIPTION	PAGE	Designed	Reviewed



ITEM NO.	MARK	NAME & SPEC	QTY.	MATERIAL	SIN. 重量 (KG)	TOT. 重量 (KG)	REMARKS
14	B 400X5000 REFER CB/T73-1999	直梯 □ 22 VERTICAL LADDER	1	组合件 ASSEMBLY	85.65	85.65	油漆 OIL PAINT
13	B 400X4200 REFER CB/T73-1999	直梯 □ 22 VERTICAL LADDER	3	组合件 ASSEMBLY	72.72	218.16	油漆 OIL PAINT
12	B 400X2300 REFER CB/T73-1999	直梯 □ 22 VERTICAL LADDER	1	组合件 ASSEMBLY	40.58	40.58	油漆 OIL PAINT
11	B 400X2400 REFER CB/T73-1999	直梯 □ 22 VERTICAL LADDER	2	组合件 ASSEMBLY	36.74	73.48	镀锌 GALV.
10	B 400X1800 REFER CB/T73-1999	直梯 □ 22 VERTICAL LADDER	1	组合件 ASSEMBLY	28.66	28.66	镀锌 GALV.
9	B 400X1600 REFER CB/T73-1999	直梯 □ 22 VERTICAL LADDER	2	组合件 ASSEMBLY	25.44	50.88	镀锌 GALV.
8	B 400X1200 REFER CB/T73-1999	直梯 □ 22 VERTICAL LADDER	2	组合件 ASSEMBLY	20.59	41.18	镀锌 GALV.
7	B 400X3000 REFER CB/T73-1999	直梯 □ 22	4	组合件 ASSEMBLY	46.85	187.4	镀锌 GALV.
6	B 400X800 REFER CB/T73-1999	直梯 □ 22 VERTICAL LADDER	1	组合件 ASSEMBLY	15.73	15.73	镀锌 GALV.
5	B 400X1800 REFER CB/T73-1999	直梯 □ 22 VERTICAL LADDER	1	组合件 ASSEMBLY	28.66	28.66	镀锌 GALV.
4	B 400X5600 REFER CB/T73-1999	直梯 □ 22 VERTICAL LADDER	2	组合件 ASSEMBLY	94.95	189.9	镀锌 GALV.
3	B 400X2400 REFER CB/T73-1999	直梯 □ 22 VERTICAL LADDER	7	组合件 ASSEMBLY	36.74	257.18	镀锌 GALV.
2	B 400X2800 REFER CB/T73-1999	直梯 □ 22 VERTICAL LADDER	2	组合件 ASSEMBLY	43.63	87.26	镀锌 GALV.
1	B 400X2000 REFER CB/T73-1999	直梯 □ 22 VERTICAL LADDER	2	组合件 ASSEMBLY	31.88	63.76	镀锌 GALV.
29	扶手 HAND RAIL	φ42.25x4 Q235-A	2	8.10 16.2	油漆 OIL PAINT		
28	扶手 HAND RAIL	φ42.25x4 Q235-A	2	4.52 9.04	油漆 OIL PAINT		
27	栏杆柱 RAIL STANCHION	-60x15 扁钢 FLAT STEEL	25	7.2 180	镀锌 GALV.		
26	栏杆 RAIL	圆钢 ROUND BAR	~48m	2.5 120	镀锌 GALV.		
25	栏杆 RAIL	1 1/4" (φ#42.25) 水煤气管 WATER&GAS PIPE	~24m	3.13 75.12	镀锌 GALV.		
24	扶手 HAND RAIL	φ16 Q235-A	2	1.1 2.2	镀锌 GALV.		
23	平台 PLATFORM	组合件 ASSEMBLY	2	151.3 302.6	镀锌 GALV.		
22	B GB10847-89 钢质踏步 STEP	□ 22 Q235-A	48	2.2 105.6	镀锌 GALV.		
21	扶手 HAND RAIL	φ34x3 Q235-A	18	4.15 74.7	镀锌 GALV.		
20	B 400X4400 REFER CB/T73-1999	直梯 □ 22 VERTICAL LADDER	1	组合件 ASSEMBLY	76.35	76.35	油漆 OIL PAINT
19	B 400X7200 REFER CB/T73-1999	直梯 □ 22 VERTICAL LADDER	1	组合件 ASSEMBLY	119	119	油漆 OIL PAINT
18	B 400X6400 REFER CB/T73-1999	直梯 □ 22 VERTICAL LADDER	2	组合件 ASSEMBLY	106.3	212.6	油漆 OIL PAINT
17	B 400X2800 REFER CB/T73-1999	直梯 □ 22 VERTICAL LADDER	1	组合件 ASSEMBLY	43.63	43.63	油漆 OIL PAINT
16	B 400X2600 REFER CB/T73-1999	直梯 □ 22 VERTICAL LADDER	1	组合件 ASSEMBLY	45.87	45.87	油漆 OIL PAINT
15	B 400X6400 REFER CB/T73-1999	直梯 □ 22 VERTICAL LADDER	1	组合件 ASSEMBLY	106.3	106.3	油漆 OIL PAINT

ITEM NO.	MARK	NAME & SPEC	QTY.	MATERIAL	SIN. 重量 (KG)	TOT. 重量 (KG)	REMARKS
14	B 400X5000 REFER CB/T73-1999	直梯 □ 22 VERTICAL LADDER	1	组合件 ASSEMBLY	85.65	85.65	油漆 OIL PAINT
13	B 400X4200 REFER CB/T73-1999	直梯 □ 22 VERTICAL LADDER	3	组合件 ASSEMBLY	72.72	218.16	油漆 OIL PAINT
12	B 400X2300 REFER CB/T73-1999	直梯 □ 22 VERTICAL LADDER	1	组合件 ASSEMBLY	40.58	40.58	油漆 OIL PAINT
11	B 400X2400 REFER CB/T73-1999	直梯 □ 22 VERTICAL LADDER	2	组合件 ASSEMBLY	36.74	73.48	镀锌 GALV.
10	B 400X1800 REFER CB/T73-1999	直梯 □ 22 VERTICAL LADDER	1	组合件 ASSEMBLY	28.66	28.66	镀锌 GALV.
9	B 400X1600 REFER CB/T73-1999	直梯 □ 22 VERTICAL LADDER	2	组合件 ASSEMBLY	25.44	50.88	镀锌 GALV.
8	B 400X1200 REFER CB/T73-1999	直梯 □ 22 VERTICAL LADDER	2	组合件 ASSEMBLY	20.59	41.18	镀锌 GALV.
7	B 400X3000 REFER CB/T73-1999	直梯 □ 22	4	组合件 ASSEMBLY	46.85	187.4	镀锌 GALV.
6	B 400X800 REFER CB/T73-1999	直梯 □ 22 VERTICAL LADDER	1	组合件 ASSEMBLY	15.73	15.73	镀锌 GALV.
5	B 400X1800 REFER CB/T73-1999	直梯 □ 22 VERTICAL LADDER	1	组合件 ASSEMBLY	28.66	28.66	镀锌 GALV.
4	B 400X5600 REFER CB/T73-1999	直梯 □ 22 VERTICAL LADDER	2	组合件 ASSEMBLY	94.95	189.9	镀锌 GALV.
3	B 400X2400 REFER CB/T73-1999	直梯 □ 22 VERTICAL LADDER	7	组合件 ASSEMBLY	36.74	257.18	镀锌 GALV.
2	B 400X2800 REFER CB/T73-1999	直梯 □ 22 VERTICAL LADDER	2	组合件 ASSEMBLY	43.63	87.26	镀锌 GALV.
1	B 400X2000 REFER CB/T73-1999	直梯 □ 22 VERTICAL LADDER	2	组合件 ASSEMBLY	31.88	63.76	镀锌 GALV.

JNSD Shanghai China
Tel: +86-021-53025656
Fax: +86-021-63012364
E-mail: jnsd@jnsdyard.com.cn

5,100 修 船 装 箱 船
5,100TEU CONTAINER VESSEL

设计阶段 DES. STA. 完工设计 FINISH DESIGN
工程号 HULL NO. H2431

图号 FO-17-04
72001700D-04

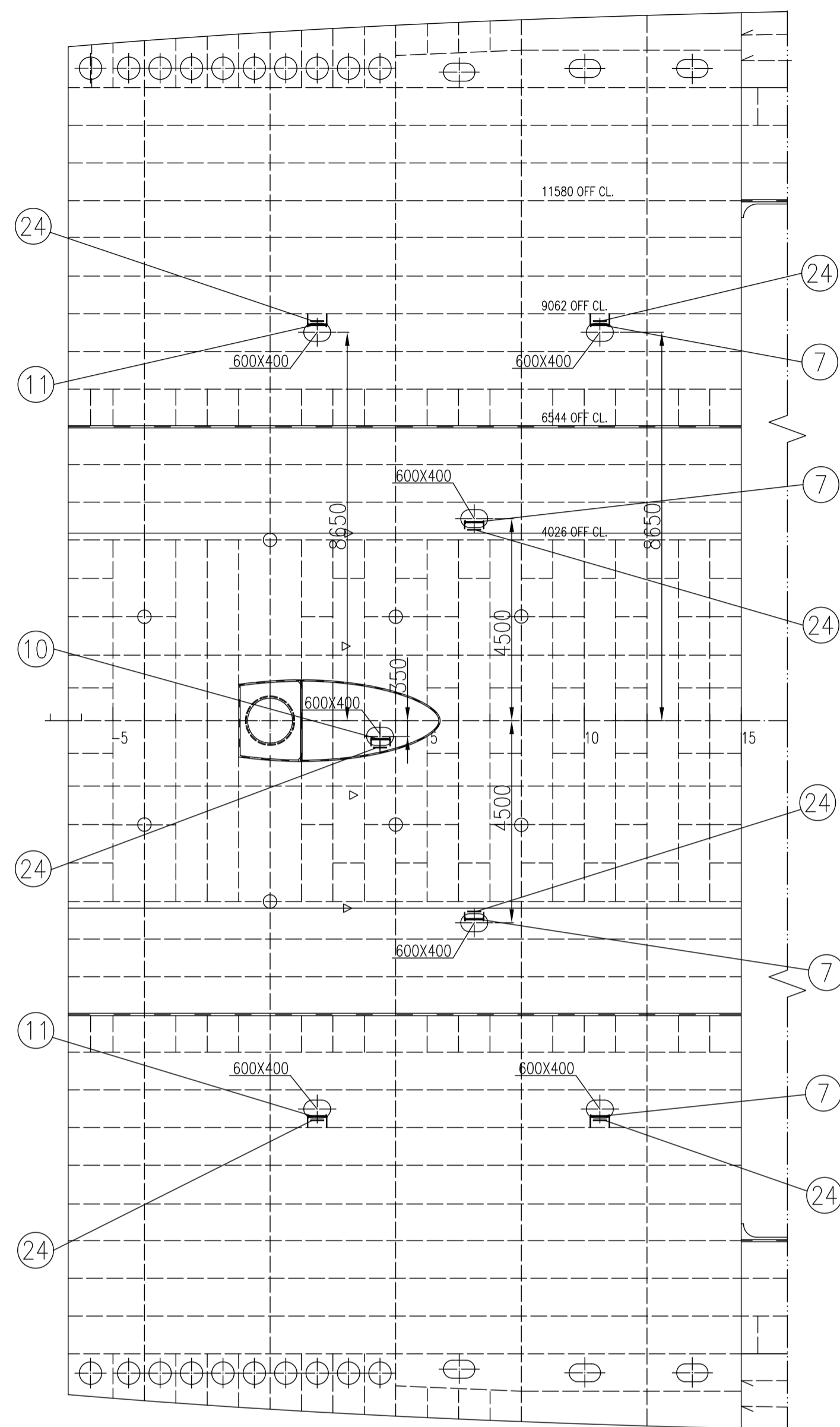
比例 SCALE 1:100

重量 (kg) WEIGHT 2858

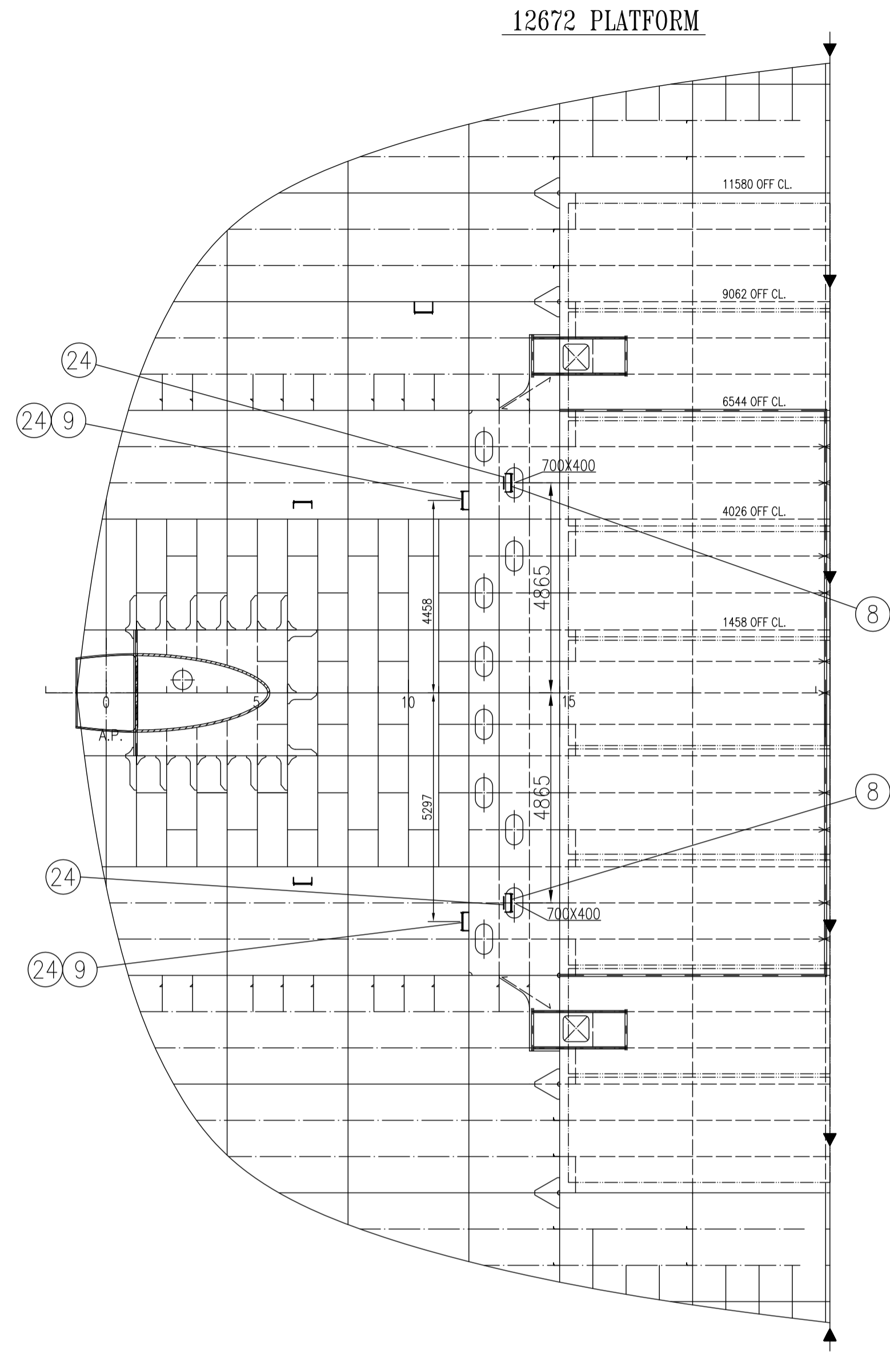
面积 (m²) AREA

上海江南长兴重工有限责任公司
SHANGHAI JIANGNAN CHANGXING HEAVY INDUSTRY CO., LTD.

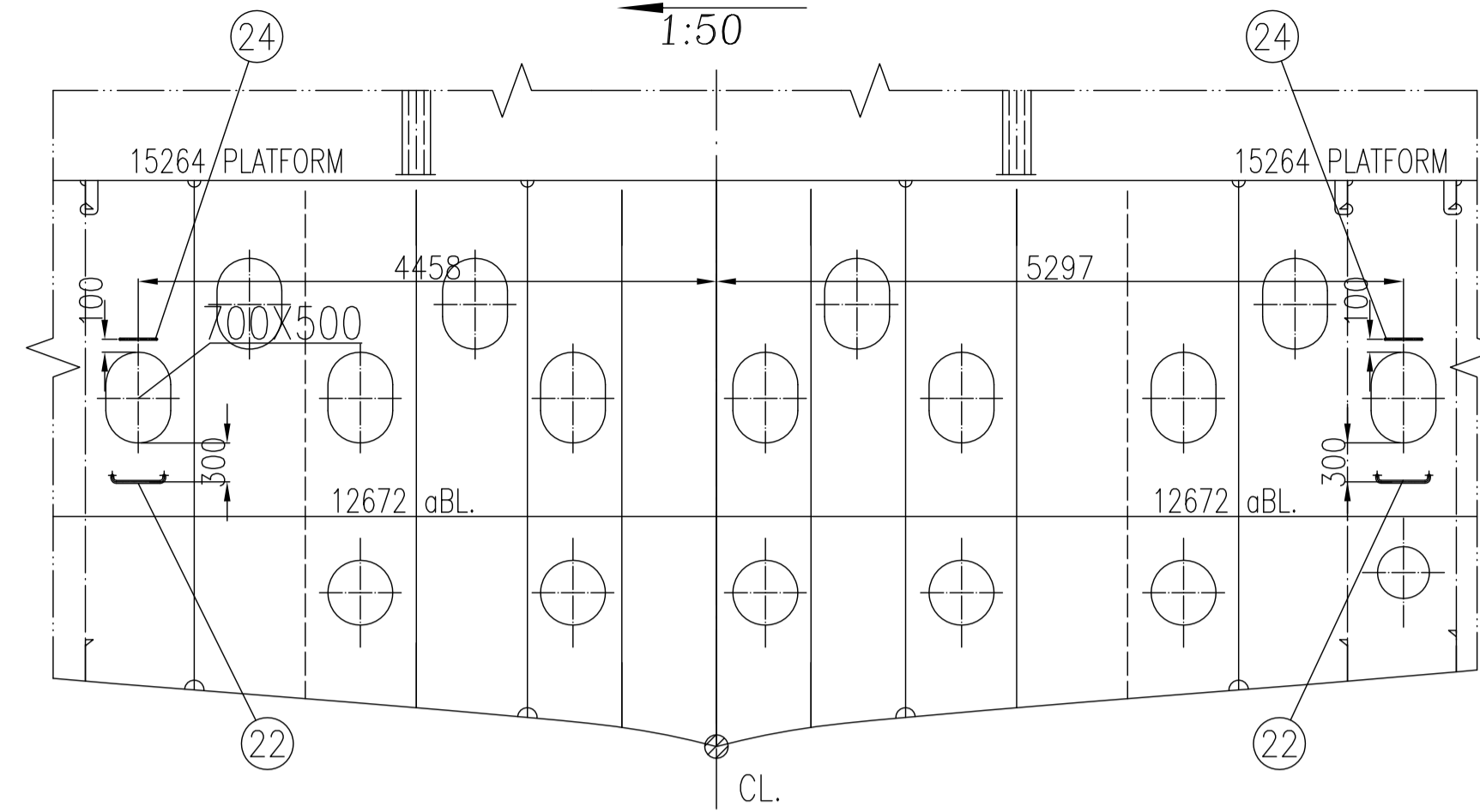
15264 PLATFORM



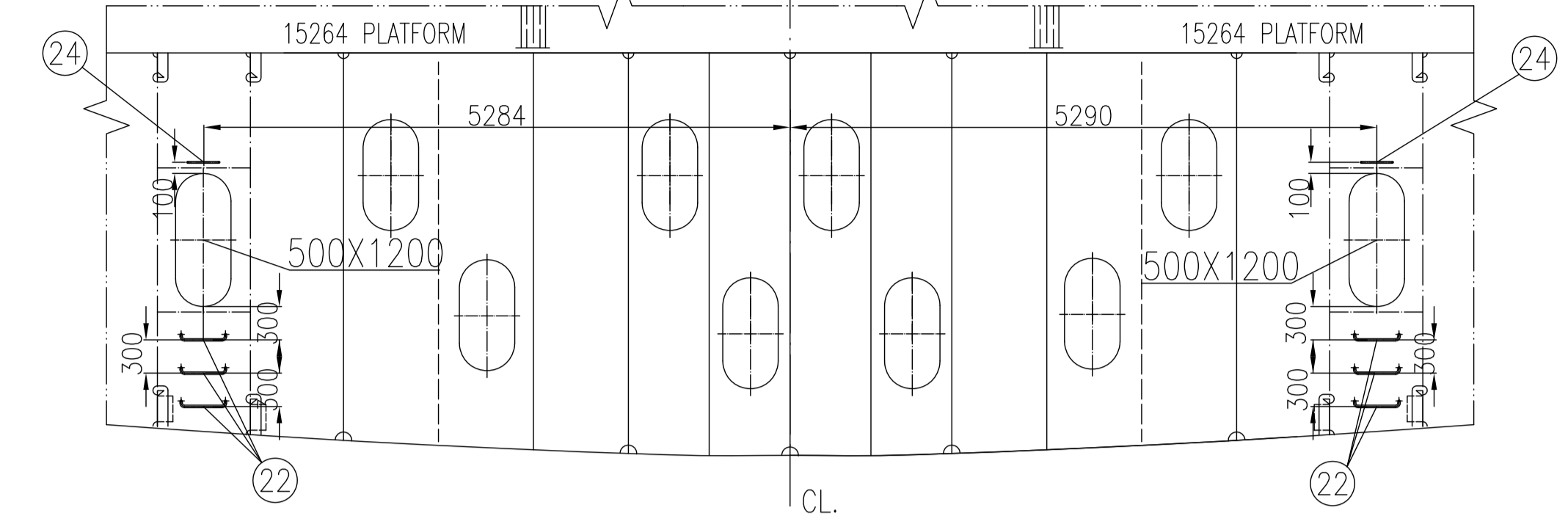
12672 PLATFORM



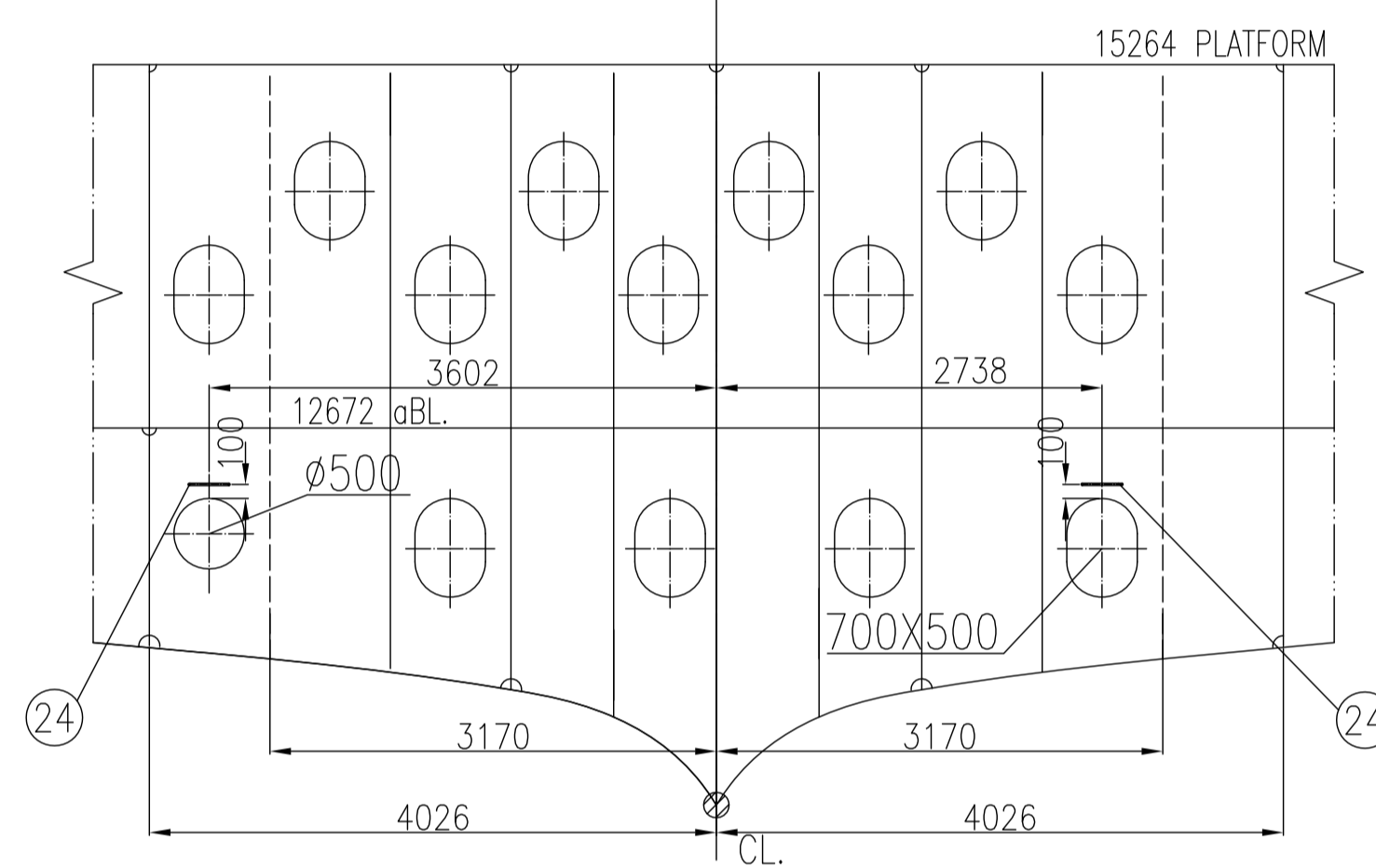
FR12
1:50



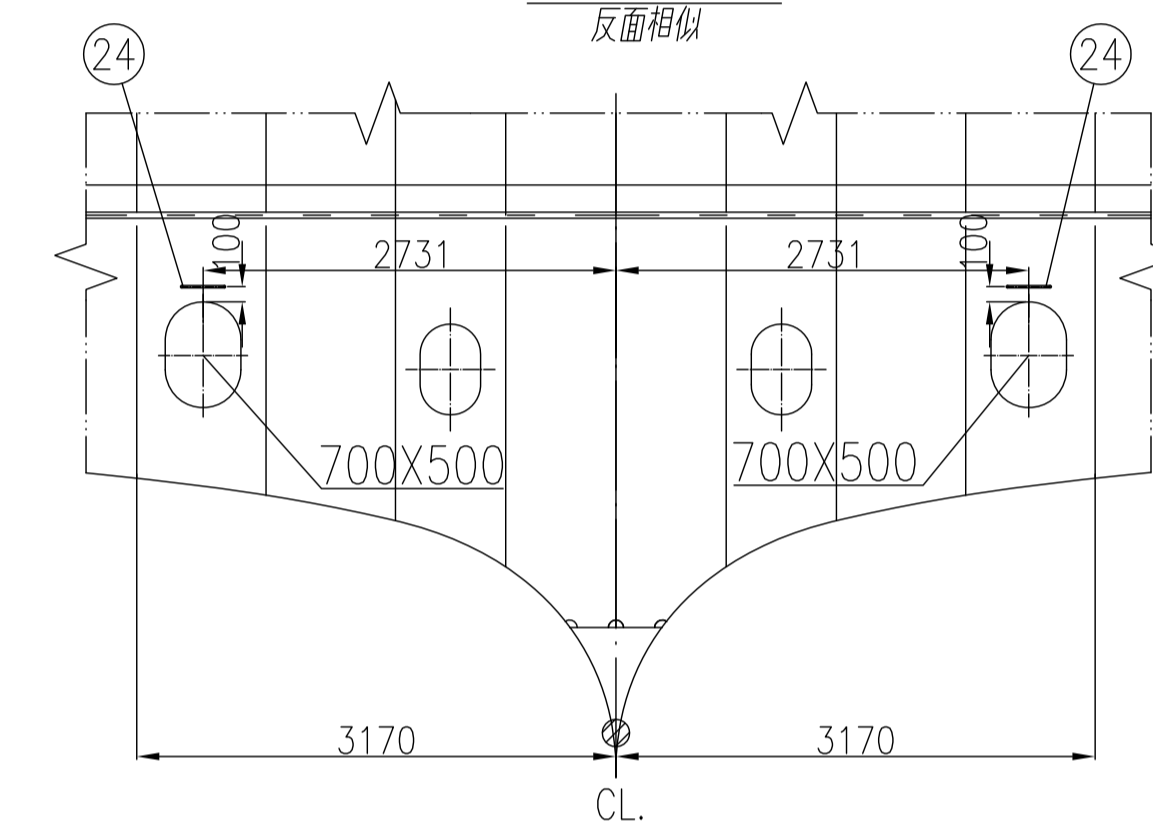
FR8
1:50
INVERSE SIMILARITY
反面相似



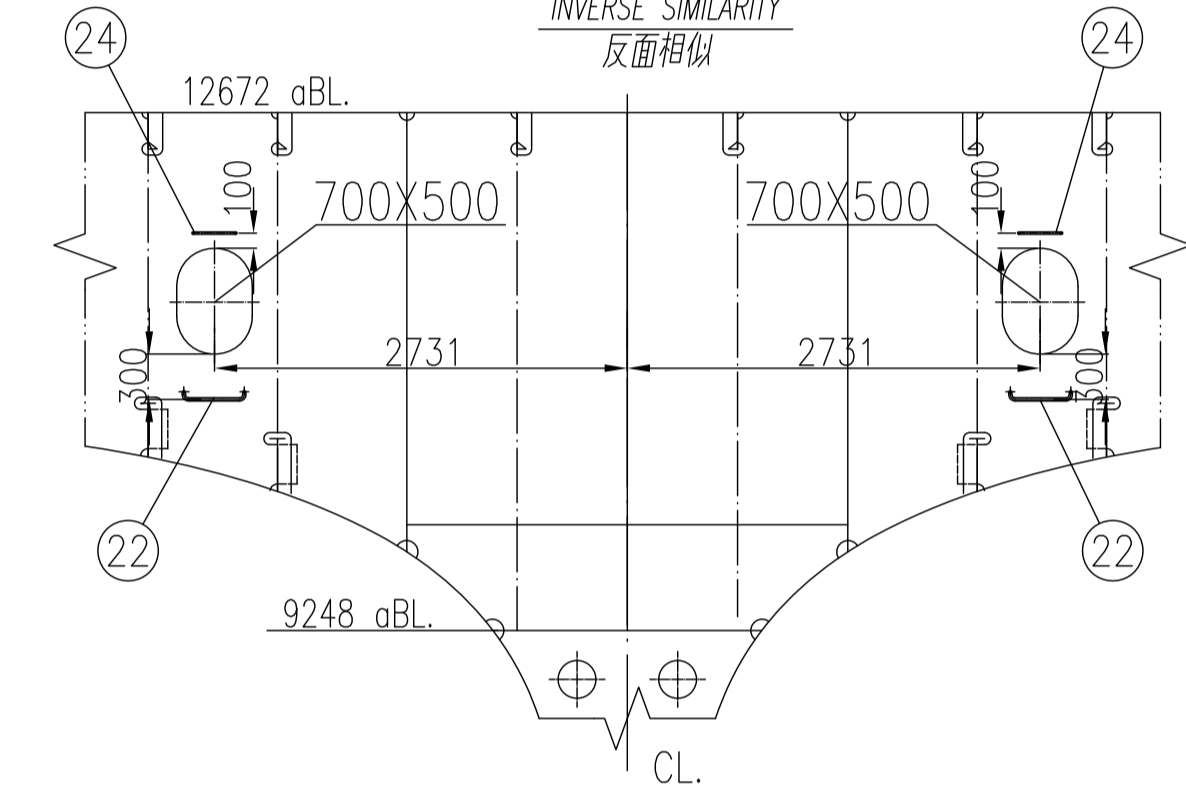
FR14
1:50
INVERSE SIMILARITY
反面相似



FR15
1:50
INVERSE SIMILARITY
反面相似

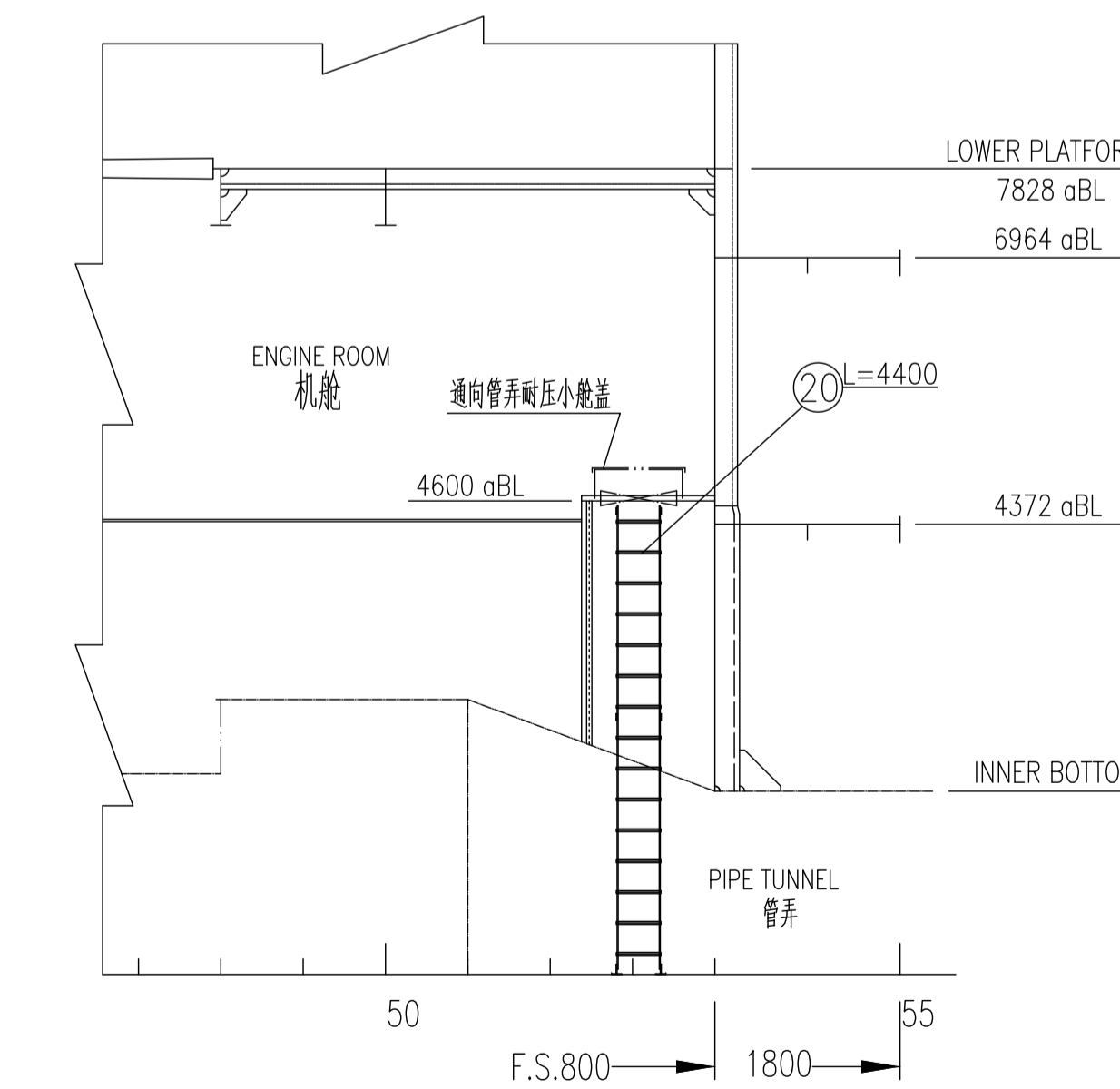


FR16
1:50
INVERSE SIMILARITY
反面相似

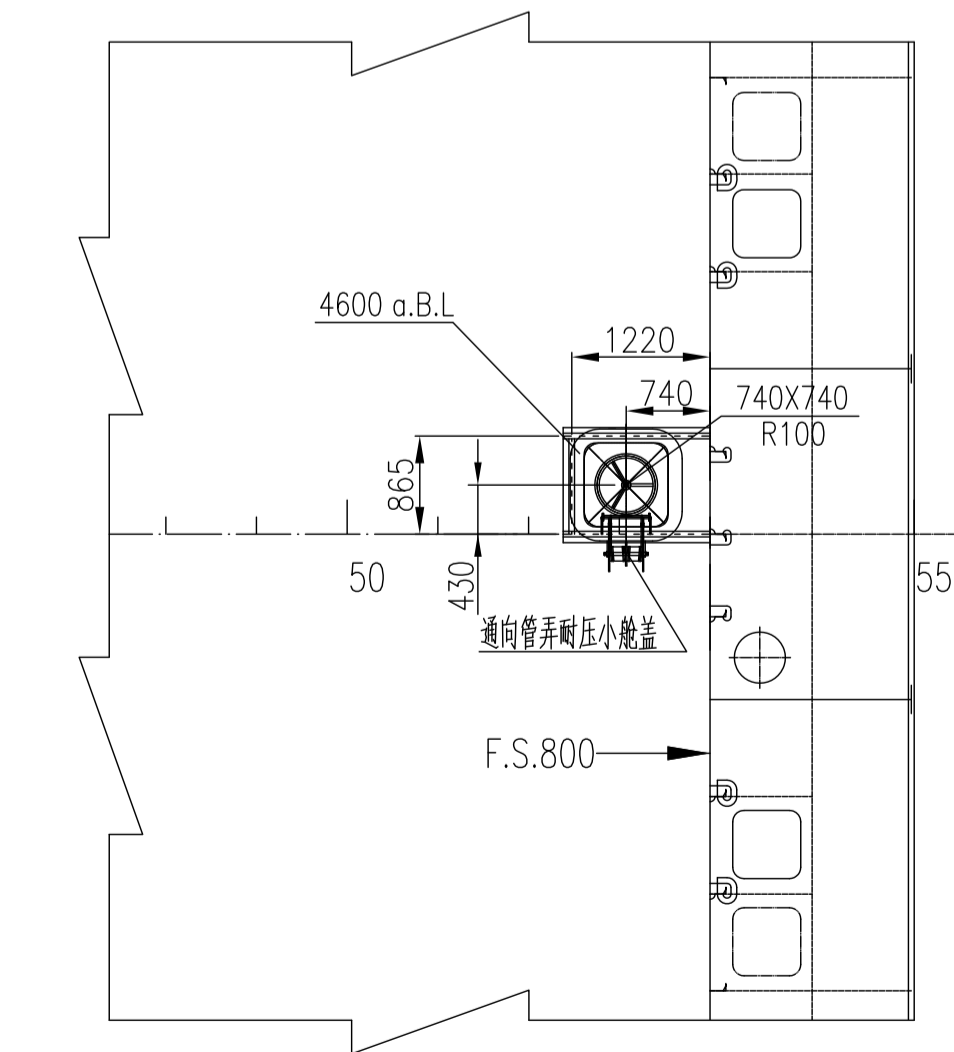


机舱管弄直梯布置图
VERTICAL LADDER ARRANGEMENT
IN ENGINE ROOM PIPE TUNNEL

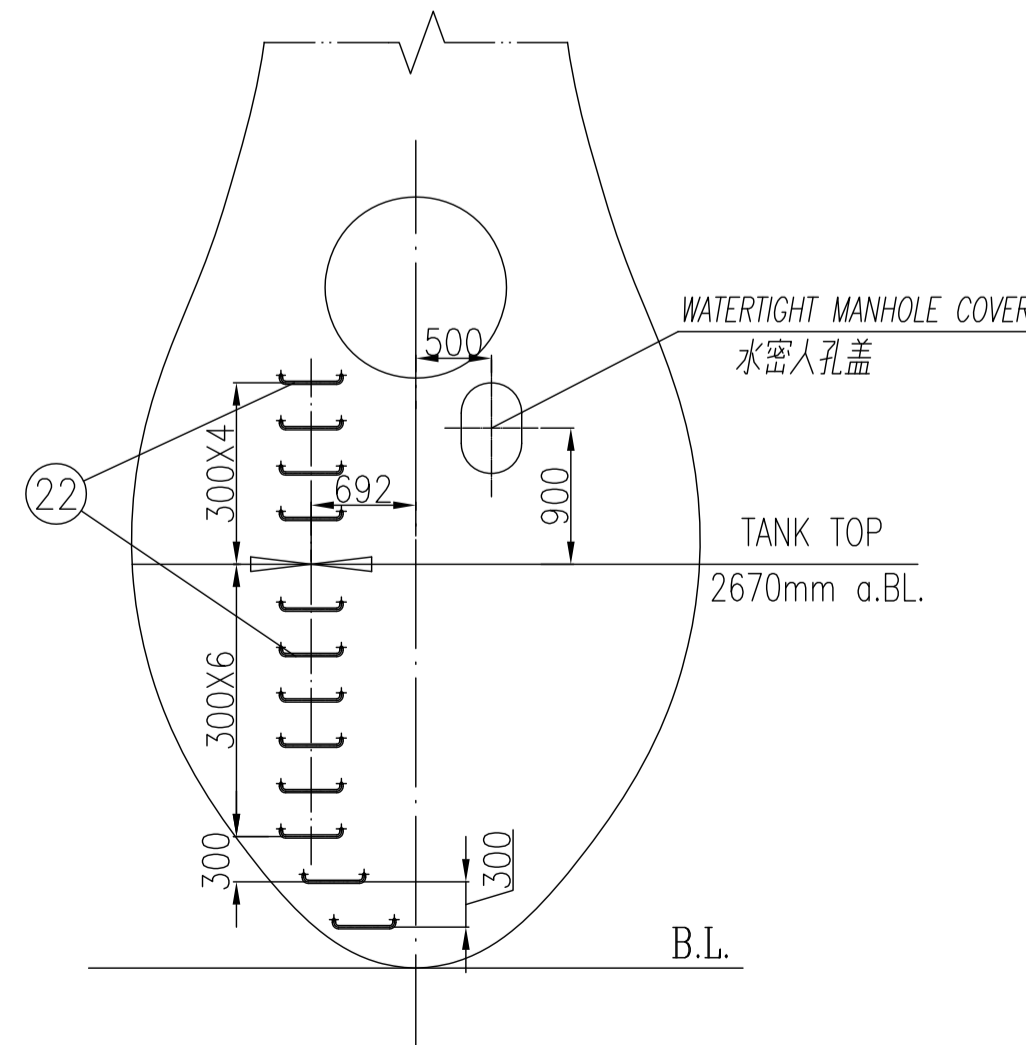
CL. SECTION



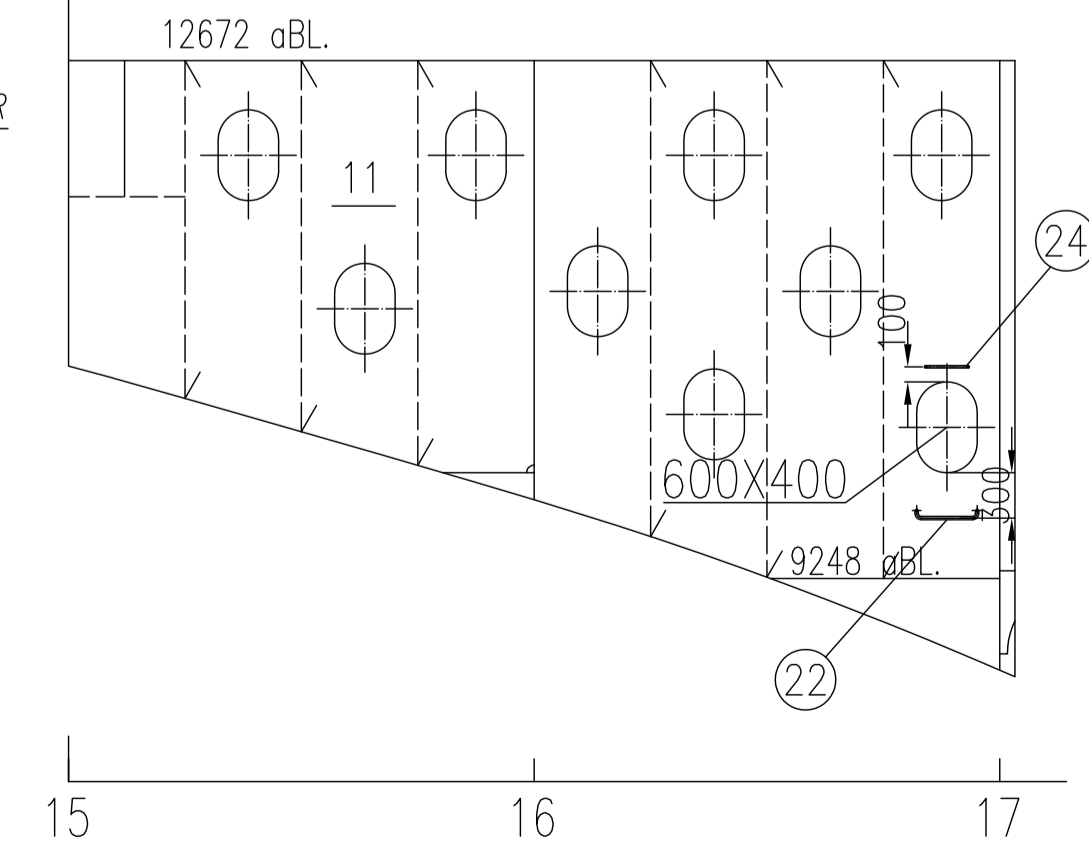
4372 PLATFORM



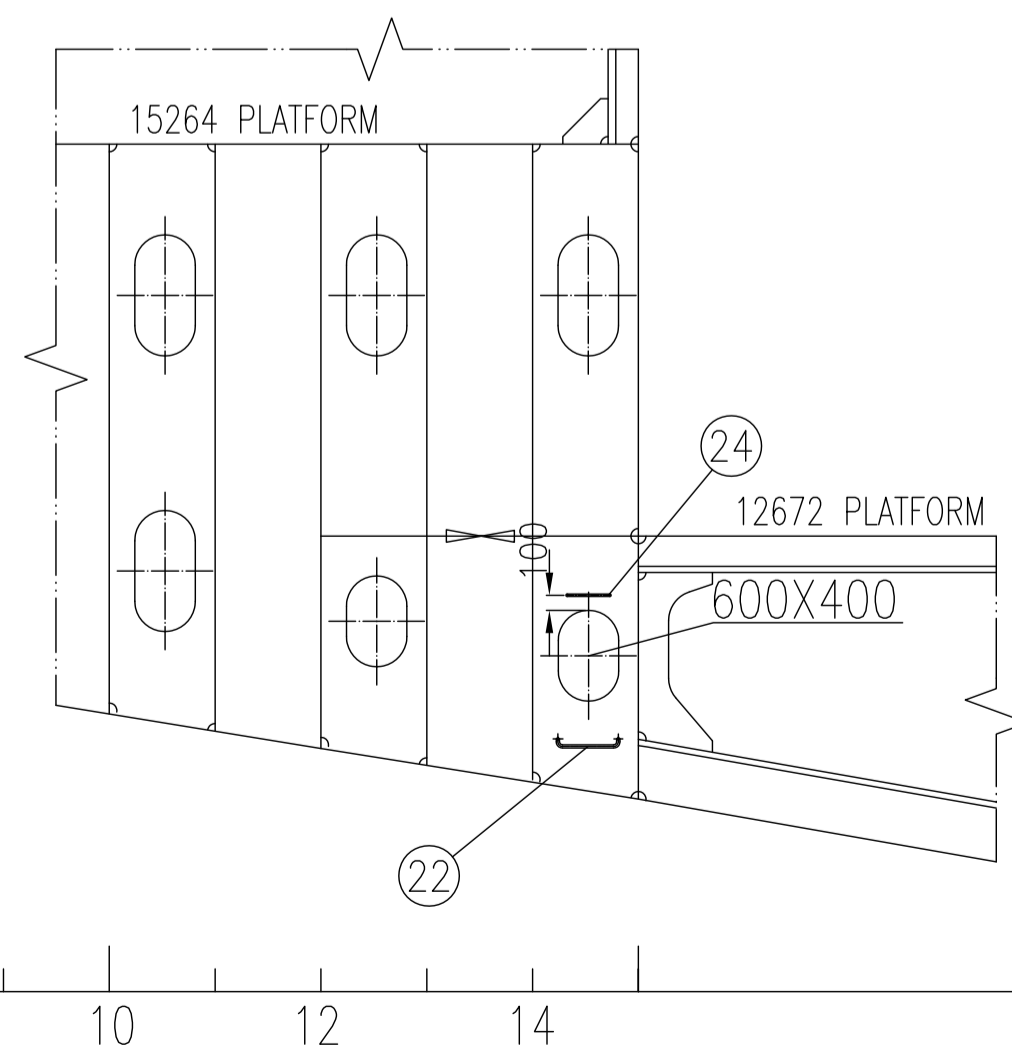
FR17
1:50



LONG. BHD. CONSTRUCTION
1458 OFF CL.
1:50
INVERSE SIMILARITY PORT?STARBOARD SIMILARITY
反面相似 左?右舷相似



LONG. BHD. CONSTRUCTION
3170 OFF CL.
1:50
INVERSE SIMILARITY PORT?STARBOARD SIMILARITY
反面相似 左?右舷相似



LONG. BHD. CONSTRUCTION
4026 OFF CL.
1:50
INVERSE SIMILARITY PORT?STARBOARD SIMILARITY
反面相似 左?右舷相似

