

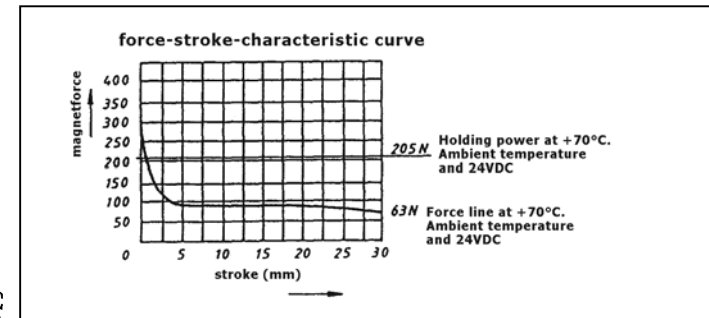
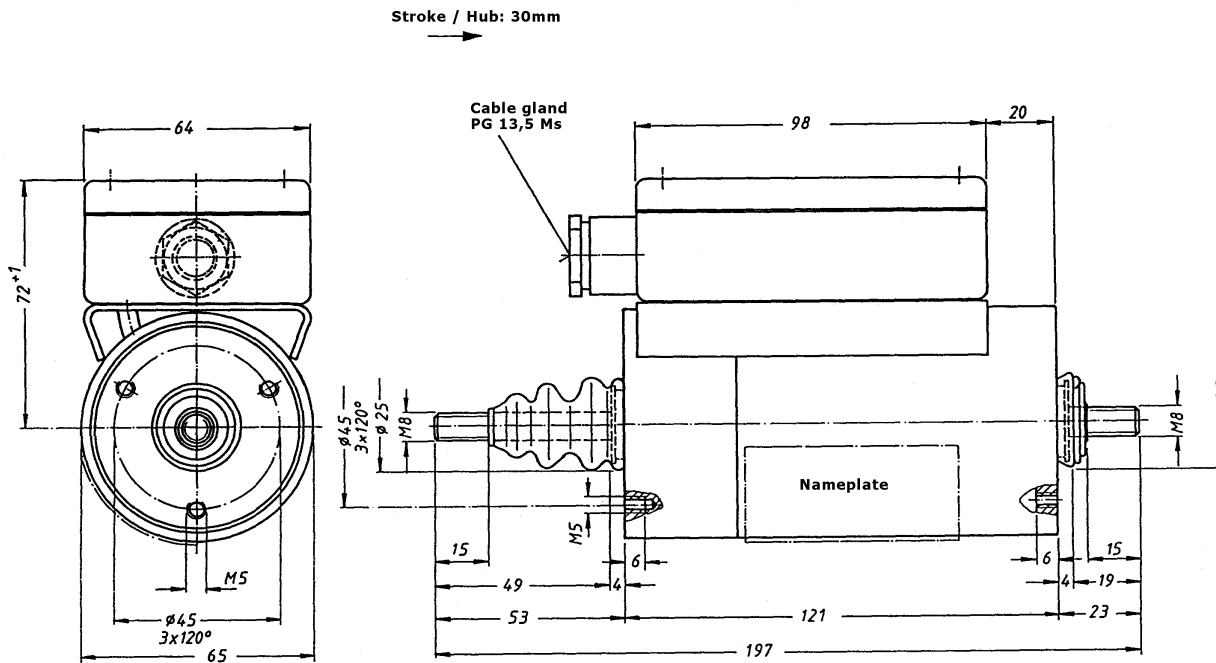
# Datasheet DC-Solenoid GA 65.38

**Supplier: Alfred Kuhse GmbH**

**Specification:**

**Power supply:** 24V DC  
**Ambient temperature:** -40°C. to +70°C.  
**Shipping weight:** app.2,5 lbs. (1,2 kg.)  
**Plunger type:** M 8  
**Stroke:** 30mm

**Starting force:** 85 N  
**Holding force:** 230N  
**Duty cycle: starting / holding:** 5 / 100%  
**Degree of protection:** IP 54  
**Vibration tested**



**CAUTION to prevent solenoid damage:**

***Plunger must be allowed to complete energised stroke.***

***After mounting, please check, if the lever has been correctly adjusted. The contact must audibly lock into place, as by this contact a stop coil is activated. If this contact does not switch due to a wrong lever distance, it is possible, that the magnet is kept by the trip coil.***