

SHANGHAI JIANGNAN CHANGXING
HEAVY INDUSTRY CO.,LTD.

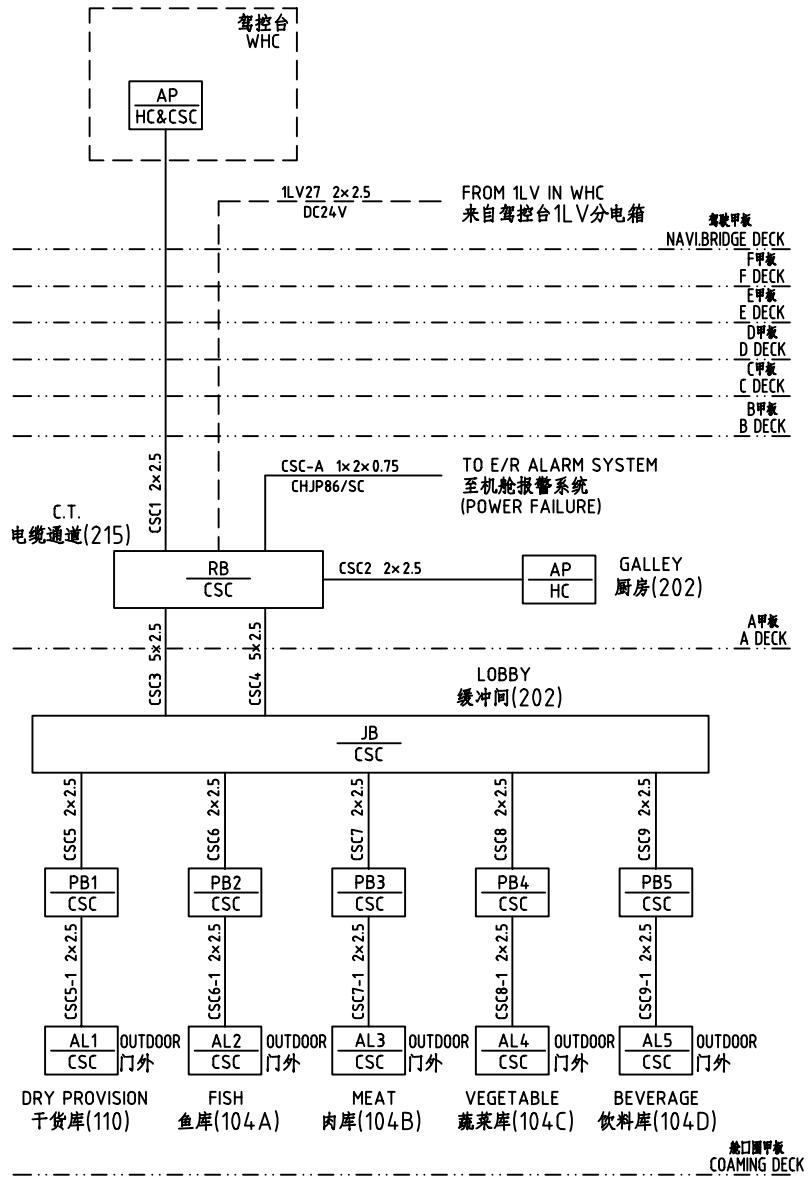
Hull No.: H2431/2432/2433

5100TEU CONTAINER VESSEL
COLD CHAMBER CALL SYSTEM

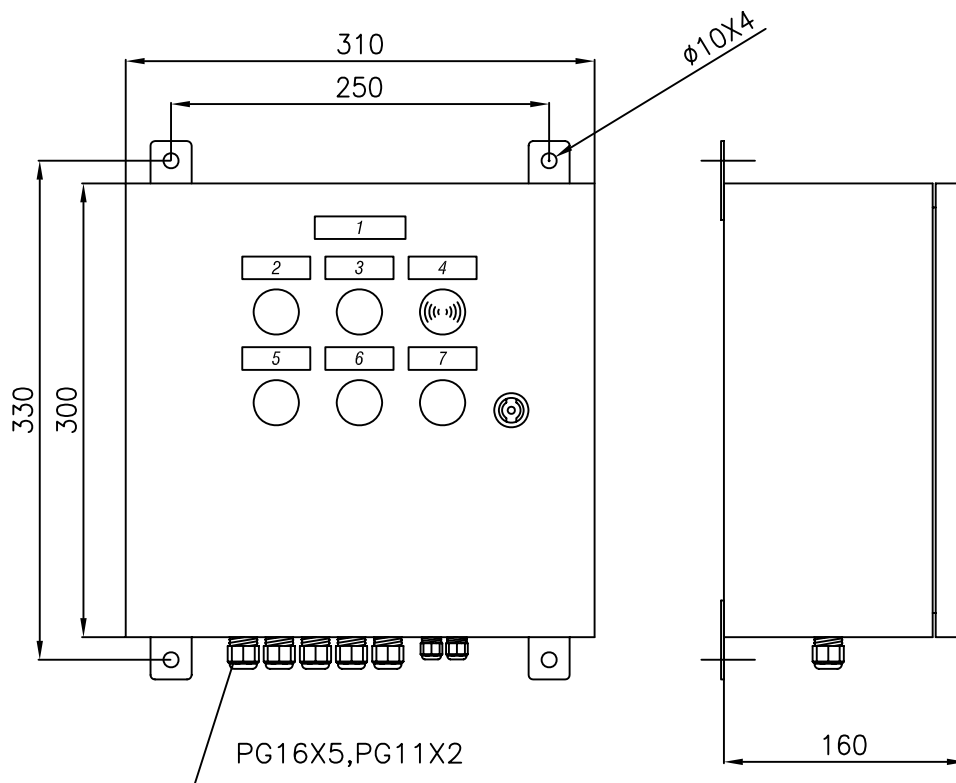
DESIGNED BY		DRAWING NO.	TC06P174-9
COMPARED BY		REVISION	
CHECKED BY		CLASS	GL
APPROVED BY		DATE	2007-05-15



TERASAKI (CHINA) ELECTRIC CO., LTD



6		COLD STORE ALARM JUNCTION BOX IP44	1	
5		COLD CHAMBER LOCK IN CALL BUZZER WITH LAMP(IN WHC) IP22	1	
4		COLD CHAMBER LOCK IN CALL BUZZER WITH LAMP IP44	1	
3		COLD CHAMBER LOCK IN CALL ALARM LAMP(DC24V RED 5W) IP44	5	TERASAKI CHINA
2		COLD CHAMBER LOCK IN CALL ALARM BUTTON WITH LAMP IP44	5	
1		COLD CHAMBER LOCK IN CALL RELAY BOX IP44	1	
NO.	MARK	NAME/TYPE/SPEC	QTY.	REMARKS

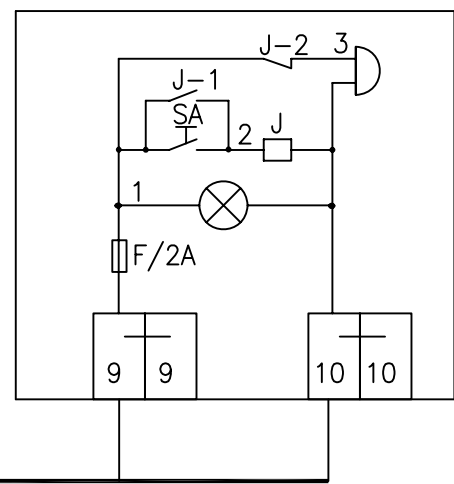
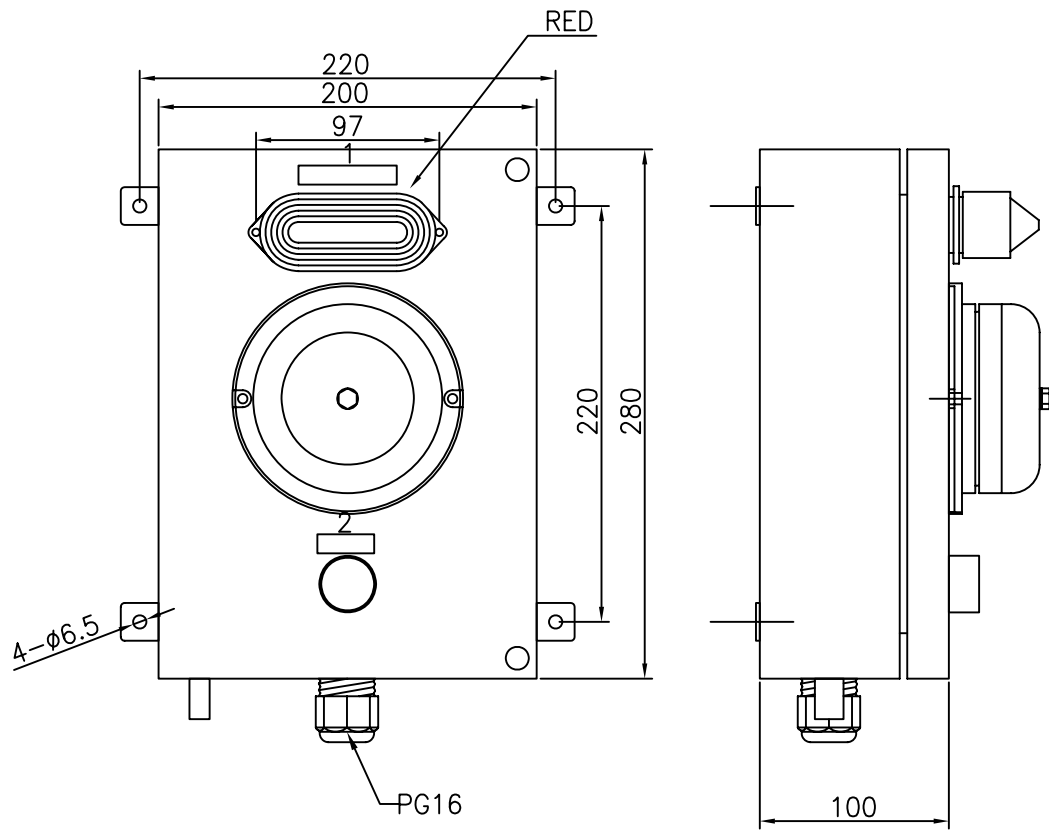


NAME

ITEM	DESCRIPTION
1	COLD CHAMBER CALL SYSTEM RELAY BOX
2	POWER
3	CALL
4	BUZZER
5	RUNNING
6	TEST
7	RESET

SPECIFICATION

- 1.MATERIAL: STEEL PLATE t=1.5
- 2.COLOR: RAL7032
- 3.ENCLOSURE: IP44



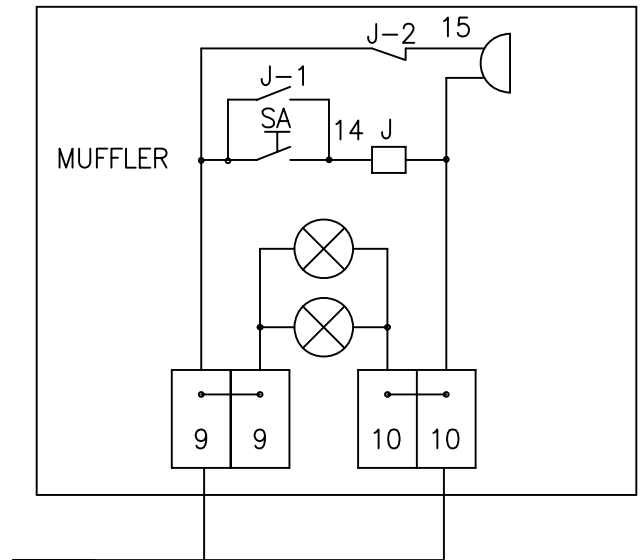
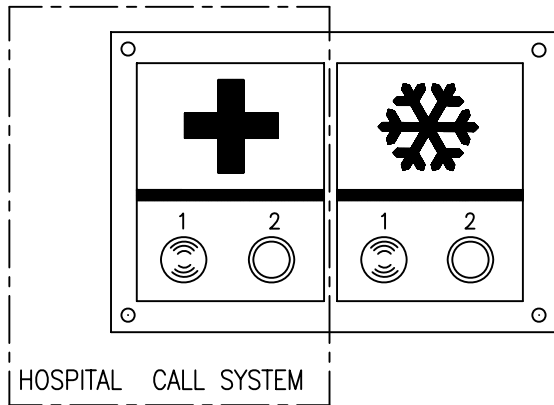
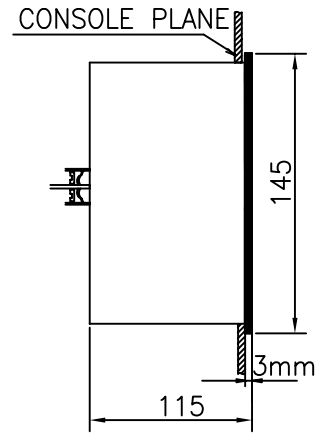
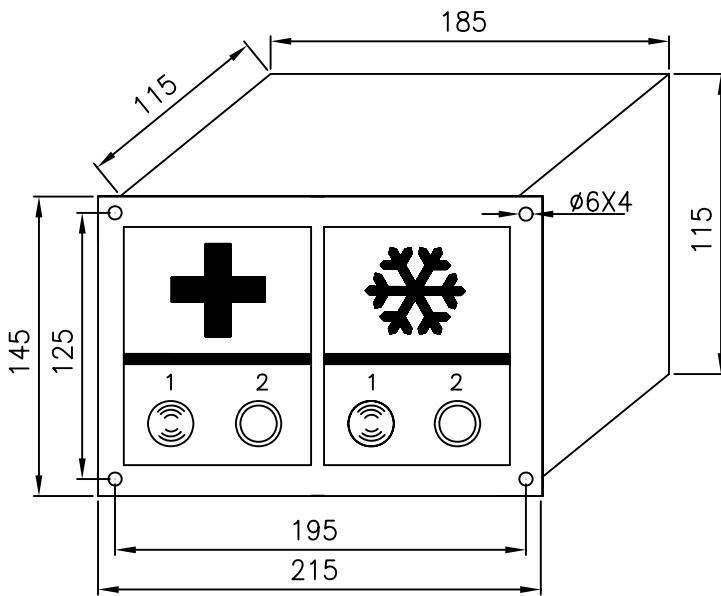
NAME PLATE

ITEM	DESCRIPTION
1	COLD CHAMBER CALL ALARM PANEL
2	SILENCE

From relay box

SPECIFICATION

- 1> MATERIAL: STEEL PLATE t=1.5
- 2> COLOR: RAL7032
- 3> ENCLOSURE: IP44



From relay box

SPECIFICATION

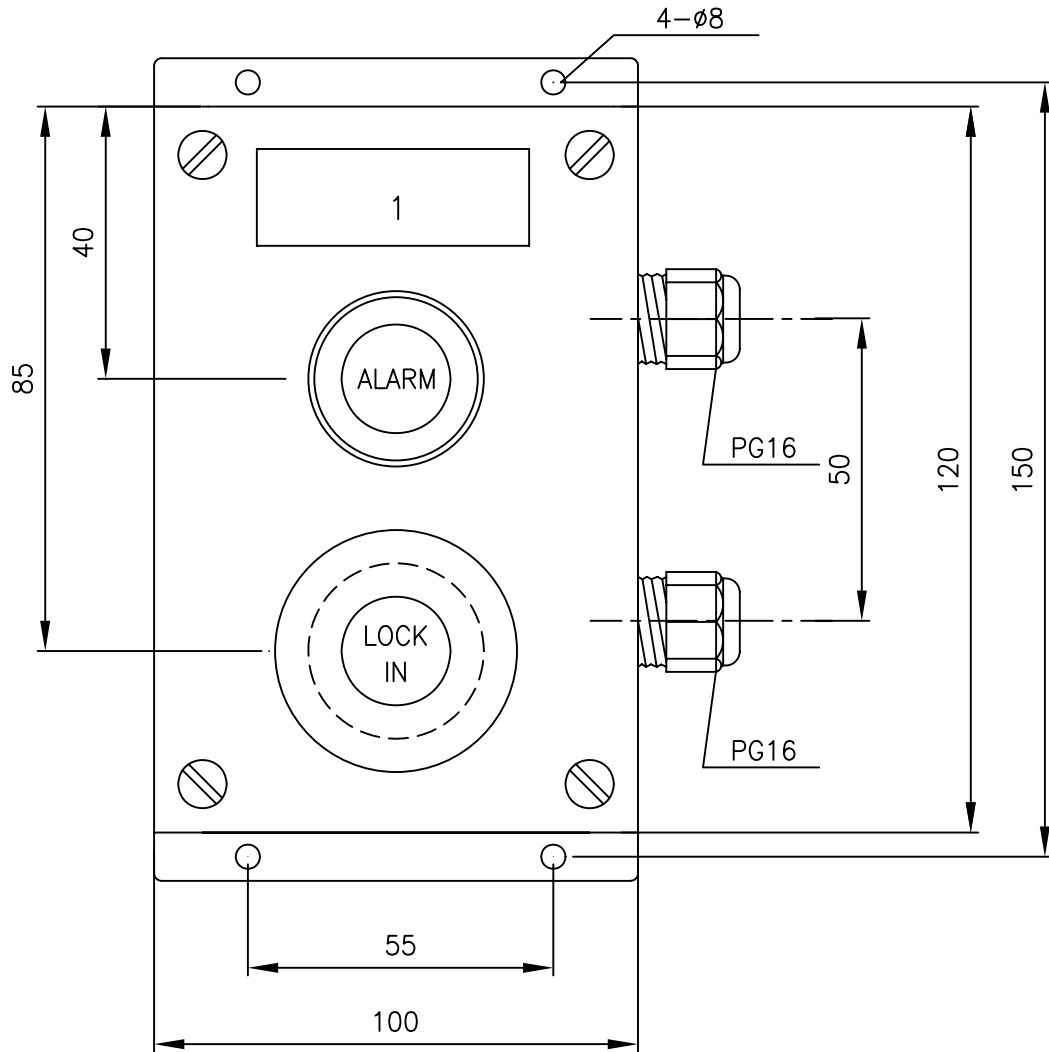
APERTURE SIZE:187X117mm

NAME PLATE

ITEM	DESCRIPTION
1	BUZZER
2	SILENCE

TECHNICAL DATA:

- 1> SOUND LEVEL: 80db
- 2> OPERATING VOLTAGE: DC24V
- 3> POWER: ABT 5W
- 4> TONE KIND: LONG



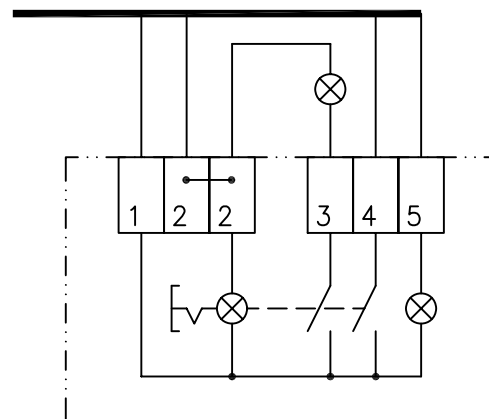
SPECIFICATION

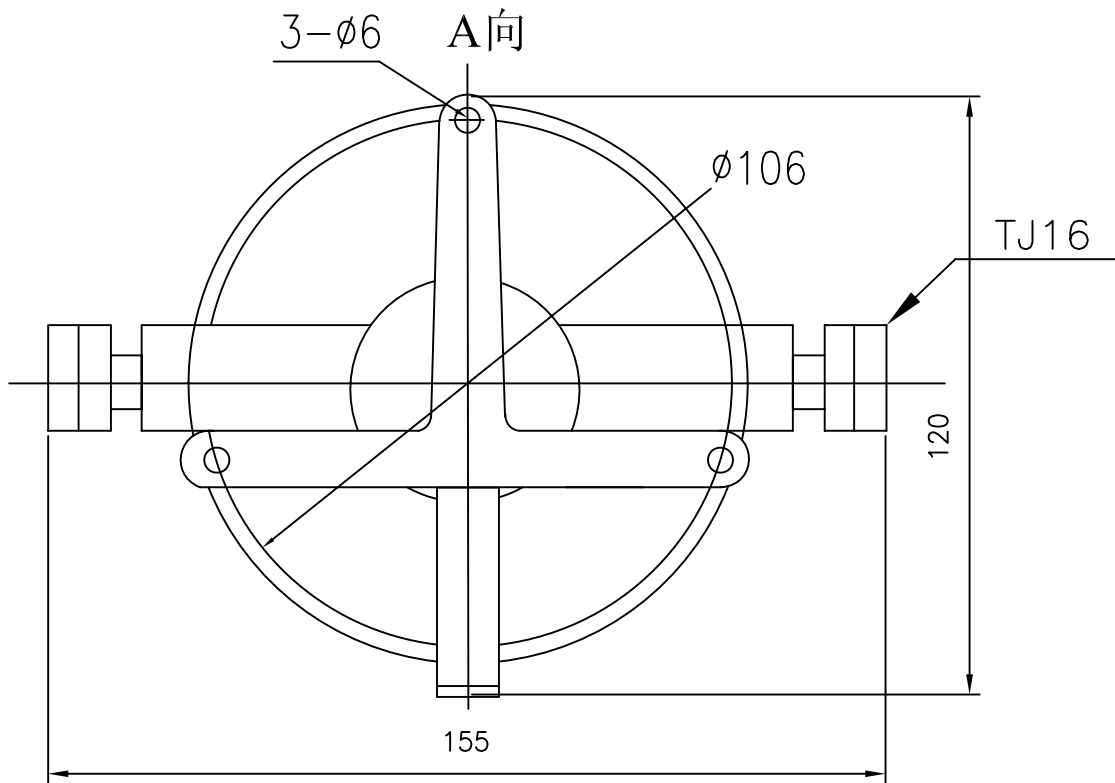
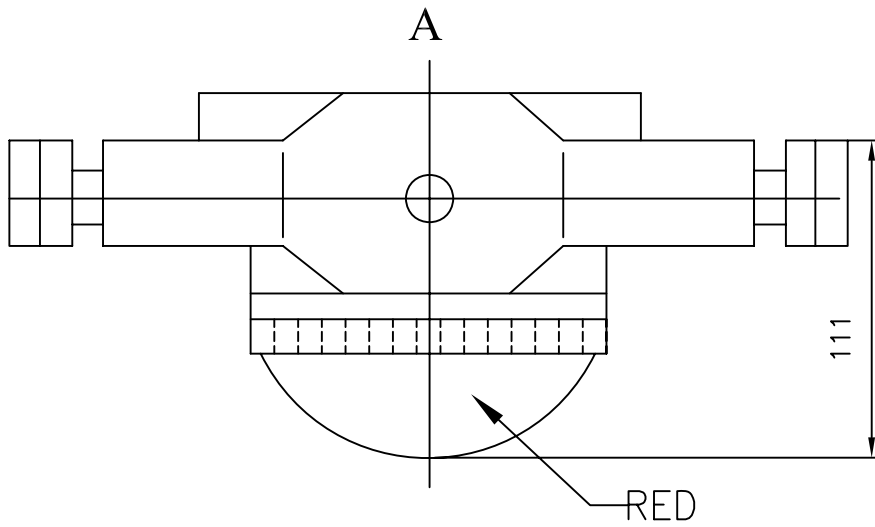
- 1> MATERIAL: STEEL PLATE t=2
- 2> COLOR: RAL7032
- 3> ENCLOSURE: IP44
- 4> DEPTH: 90MM

NAME PLATE

ITEM	DESCRIPTION
1	COLD STORE LOCK-IN ALARM PANEL

FROM RELAY BOX



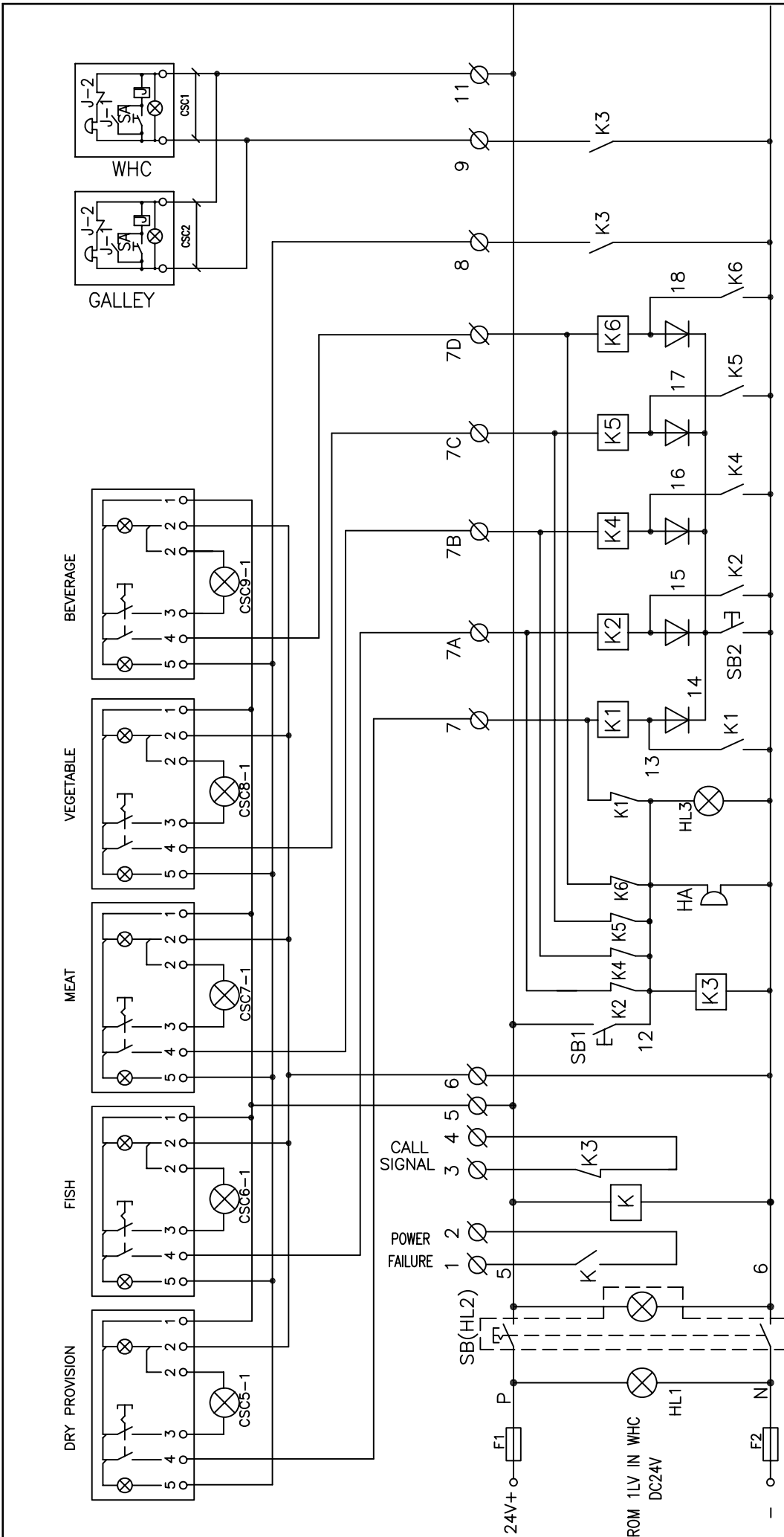


SPECIFICATION

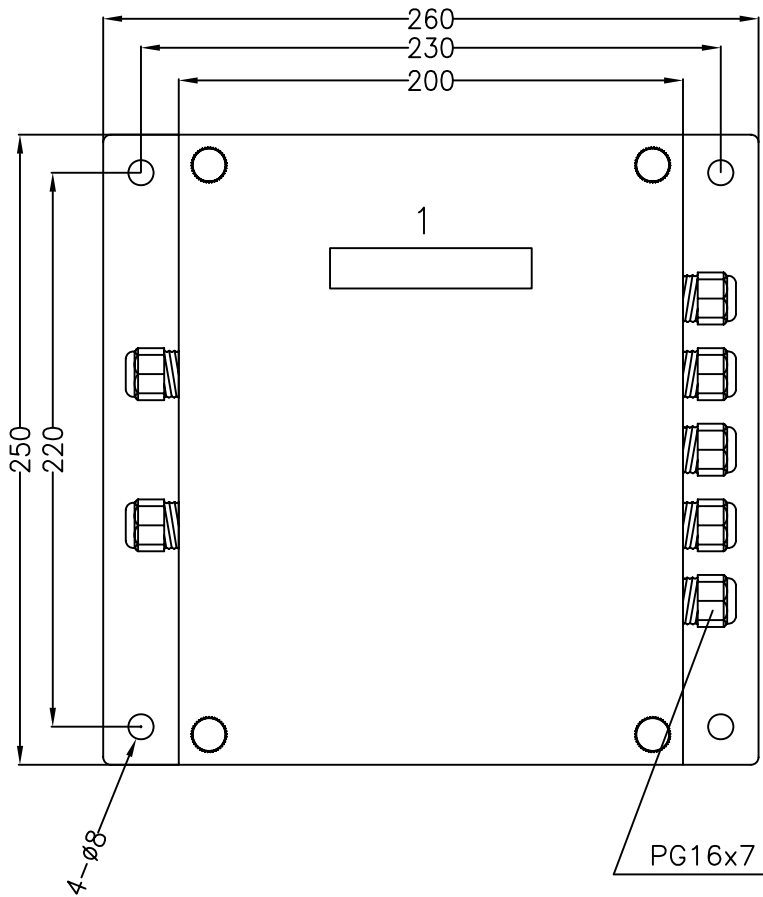
- 1> MATERIAL: PLASTICS
- 2> ENCLOSURE: IP56
- 3> TYPE: CCD3-2

TECHNICAL DATA:

- 1> OPERATING VOLTAGE: DC24V
- 2> POWER: ABT 5W



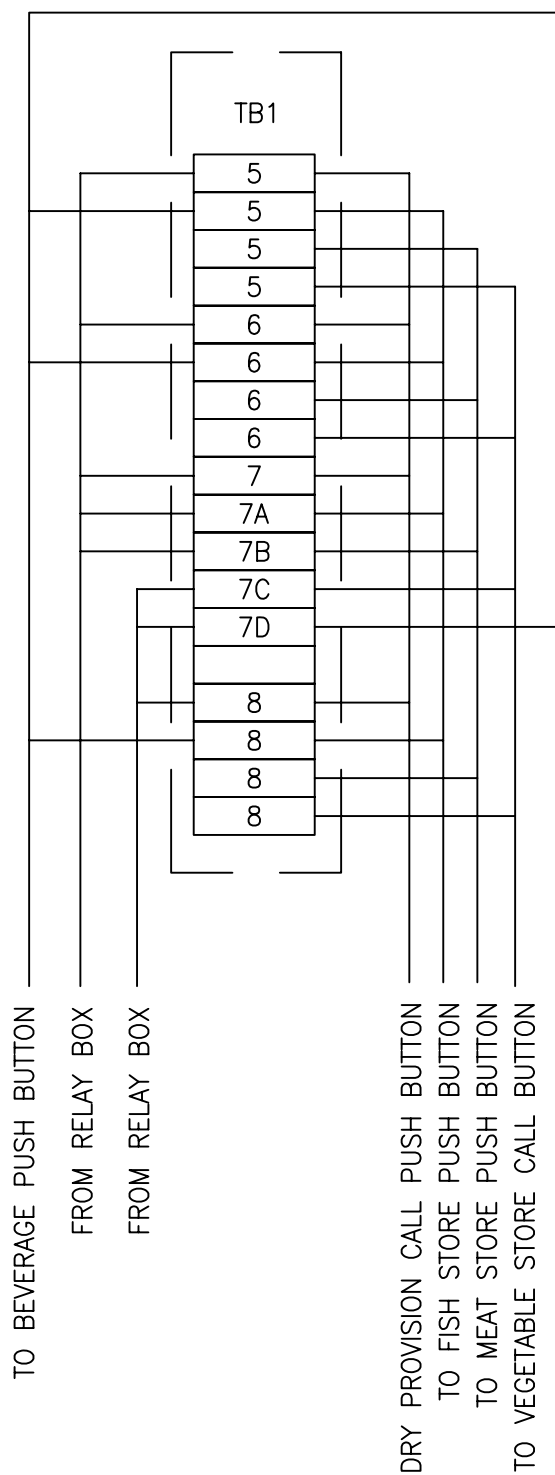
NO.	CODE	DESCRIPTION	TYPE	Q,TY	NO.	CODE	DESCRIPTION	TYPE	Q,TY
1	K.K1-K6	RELAY	HH52P-DC24V	5	6	SB(HL2)	BUTTON	YW1L-A2E20Q7G	1
2	F1,F2	FUSE	RL98-16/4A	2	7	SB1,SB2	BUTTON	YW1B-M1E100K & YW1B-M1E100W	2
3	HL1	POWER LAMP	YW1P-1BEEQ7W	1	8	HA	BUZZER	AD16-22M/K DC24V	1
4	HL3	ALARM LAMP	YW1P-1BEEQ7R	3	9	SA	BUTTON	YW1B-M1E10Y & LA39B(J)Y	2
5	K3	RELAY	HH52P-DC24V	1					

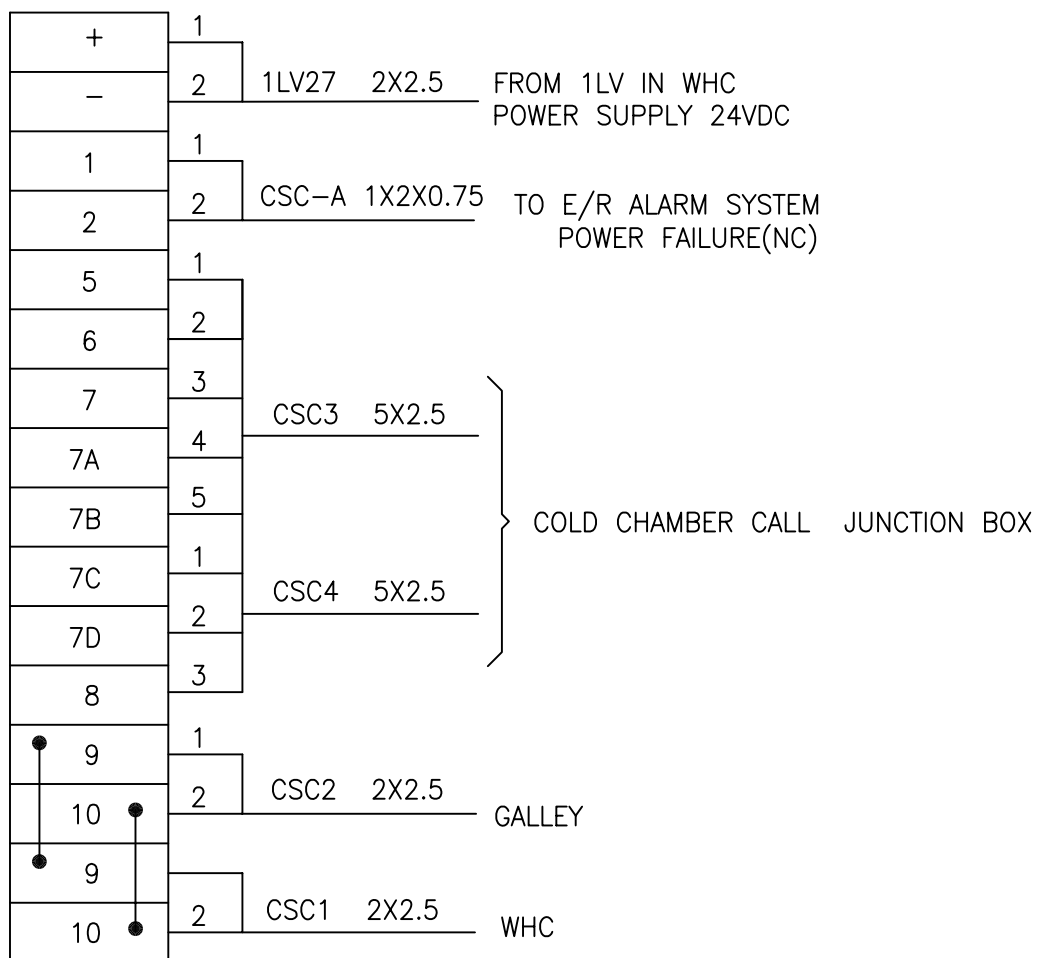


- NOTE:
1. APPROX. WEIGHT: 8Kg
 2. PAINT COLOUR: RAL7032
 3. PLATE MATERIAL: STEEL t=1.5mm
 4. ENCLOSURE: IP44
 5. STUFFING BOX: PG16x7

NAME PLATE

ITEM	DESCRIPTION
1	JUNCTION BOX





NO.	CODE	DESCRIPTION	TYPE	Q'TY
1	F1,F2	FUSE	RL98B-4A	1
2	HL1	ALARM LAMP	YW1P-1BEQ7W	1
3	HL2	ALARM LAMP	YW1P-1BEQ7R	1
4	SB	BUTTON	YW1B-M1E10QK	1
5	K	RELAY	HH52P-DC24V	1
6	D1~D7	DIODE	1N4007	7