

8 | 7 | 6 | 5 | 4 | 3 | 2 | 1

F

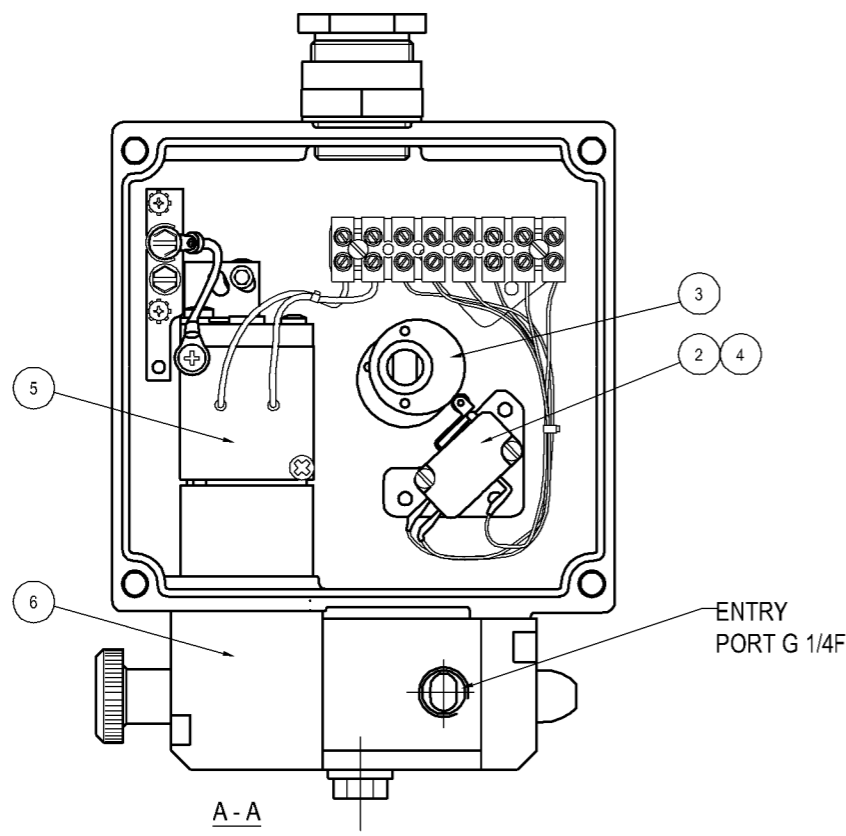
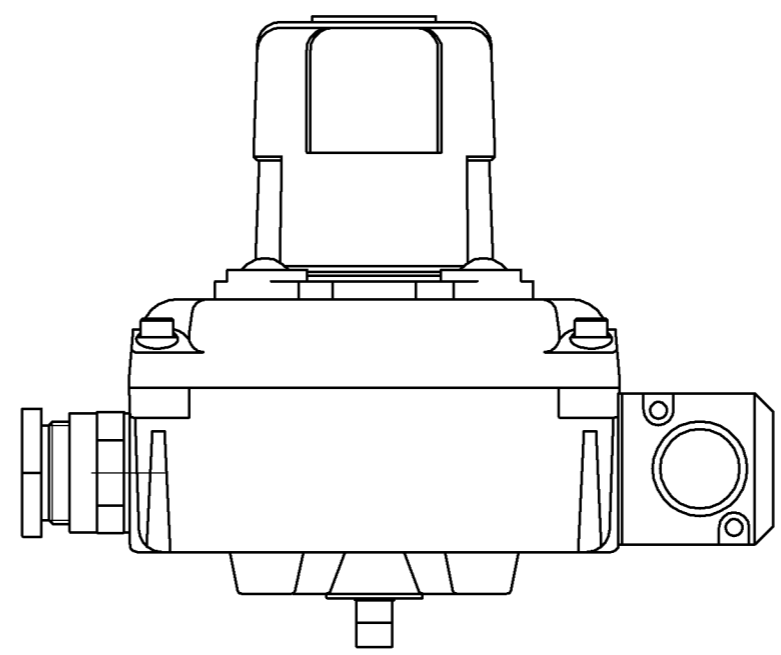
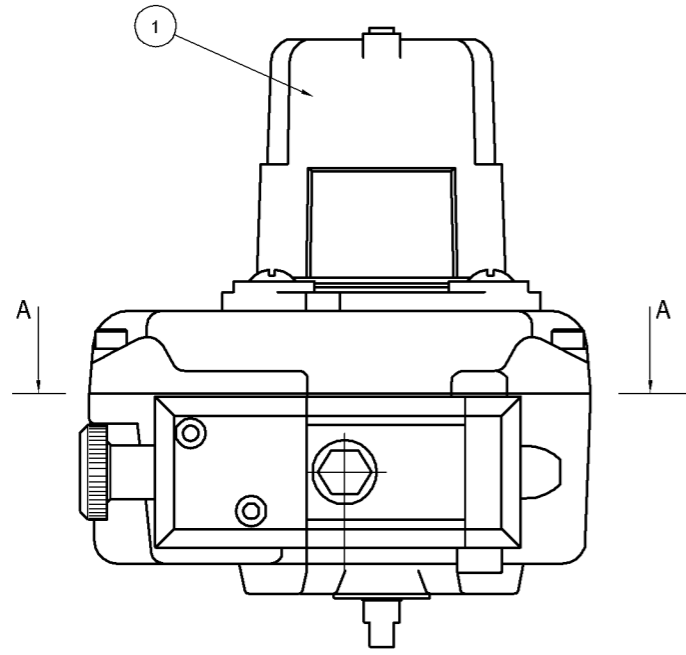
E

D

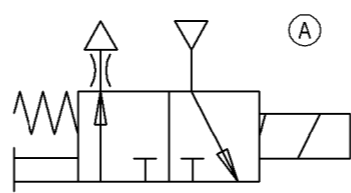
C

B

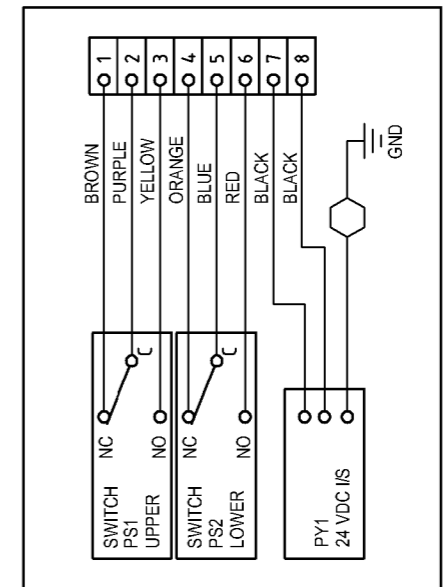
A



PILOT VALVE (PY1) SYMBOL




WIRING DIAGRAM



| | | | | | |
|---|---|--------|--------------|-----------|-------------|
| 6 | 1 | A57360 | PILOT VALVE | WES 86125 | ALUMINIUM |
| 5 | 1 | A41148 | SPOOL | WES 85101 | EExia IICT6 |
| 4 | 1 | A41144 | LOWER SWITCH | WES 75005 | GOLD PLATED |
| 3 | 1 | A41146 | CAM SHAFT | WES 72022 | |
| 2 | 1 | A41143 | UPPER SWITCH | WES 75004 | GOLD PLATED |
| 1 | 1 | A41145 | INDICATOR | WES 11000 | A/B |

| Dim & tolerance | | | Permissible deviations for dimensions without a tolerance indication | | | | Permissible deviations for dimensions with a tolerance indication | | | | | |
|-----------------|-------------|--|--|------|---------------------|-------|---|-------|--------|-------|--------|-------|
| Upper limit | Lower limit | | Linear dimension or shortest leg of an angle | | Machined: Tolerance | | Welded: Tolerance | | linear | angle | linear | angle |
| | | | over | to | linear | angle | linear | angle | | | | |
| | | | 6 | 30 | +0.1 | ±0.5 | ±1 | ±0.6 | | | | |
| | | | 30 | 120 | +0.2 | ±0.4 | | | | | | |
| | | | 120 | 315 | +0.3 | ±0.3 | +1.5 | | | | | |
| | | | 315 | 1000 | +0.5 | ±0.3 | +1.5 | | | | | |
| | | | 1000 | 2000 | +0.8 | ±0.2 | +2 | ±0.5 | | | | |
| | | | 2000 | 4000 | +1.2 | ±0.2 | +3 | ±0.3 | | | | |
| | | | 4000 | 8000 | +2 | ±0.2 | +4 | ±0.3 | | | | |
| | | | 4000 | 8000 | +3 | ±0.2 | +5 | ±0.3 | | | | |

| Item | Qty | Id. no | Description | Drg. no./Type | Material |
|--|-----|--------|-------------|---------------|----------|
| This drawing is our property. It is not to be traced, copied or published without our written consent, nor to be misused in any way. | | | | | |
| | | | Status | Sign. | Date |
| | | | Constr. | SSy | 02Oct06 |
| | | | Drawn by | ENy | 02Oct06 |
| | | | Checked | | |
| | | | Prot. rel. | | |
| | | | Prod. rel. | | |



Frank Mohn AS

BUTTERFLY VALVE
EExia IICT6/IP67
CONTROL ARRANGEMENT
3645ABNACK21BCJ-000

Replaces:

0294-1614-3

Replaced by:



| | | | | |
|----|---------|-------------|------------|------|
| A | Revised | ENy/04Sep07 | | |
| R. | Zone | R.O.no. | Sign./Date | Ctrl |

Project. used

Original Scale