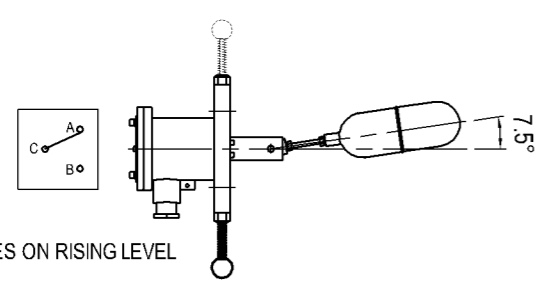
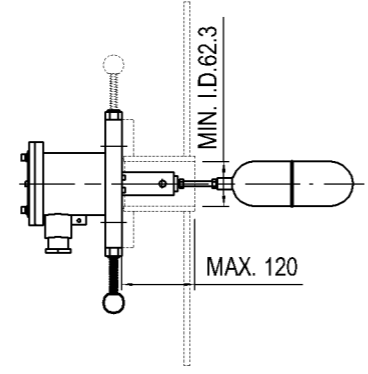


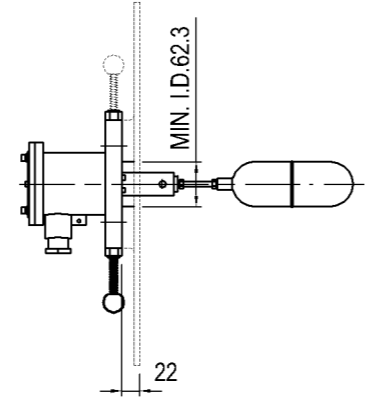
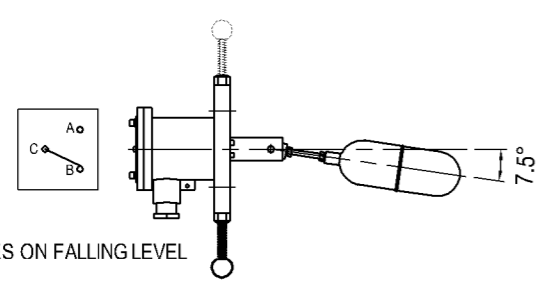
WIRING DIAGRAM



SLIP-ON FLANGE INSTALLATION



SET-ON FLANGE INSTALLATION



TECHNICAL DATA	ENCLOSURE	IP 56
	WEIGHT	3.9 KG
	AMB. TEMP.	60°C MAX.
	LIQ. TEMP.	180°C MAX.
	LIQ. SG.	0.65 ~ 1.3
	WP	10.0 BARG MAX.
	SWITCH TYPE	MICRO SWITCH
	CONTACT FORM	SPDT
CONTACT RATING	250 VAC, 15A	

6	1	CABLE GLAND	20a	BS
5	1	FLOAT		SUS 304
4	1	FLANGE	A65/5K, DN65/PN6	SS 41
3	1	TEST LEVER		SUS 304
2	1	COVER		ADC
1	1	HOUSING		ADC

This drawing is our property. It is not to be traced, copied or published without our written consent, nor to be misused in any way.	Status	Sign.	Date	Frank Mohn AS	Weld. drg./Cast. drg.					
	Constr.	SSy	10 Apr 07							
	Drawn by	JEOE	10 Apr 07							
	Checked	SSy	10 Apr 07							
	Prod. rel.	SSy	10 Apr 07							
1:2			HORIZONTAL INST. LEVEL SWITCH WITH TEST LEVER		Replaces: 0110-0076-2					
R.	Zone	R.O.no.	Sign./Date	Ctrl	Project. used	Original Scale	Prod. rel.	SSy	10 Apr 07	Replaced by: