

SHANGHAI JIANGNAN CHANGXING
HEAVY INDUSTRY CO.,LTD.

Hull No.: H2431/2432/2433

5100TEU CONTAINER VESSEL

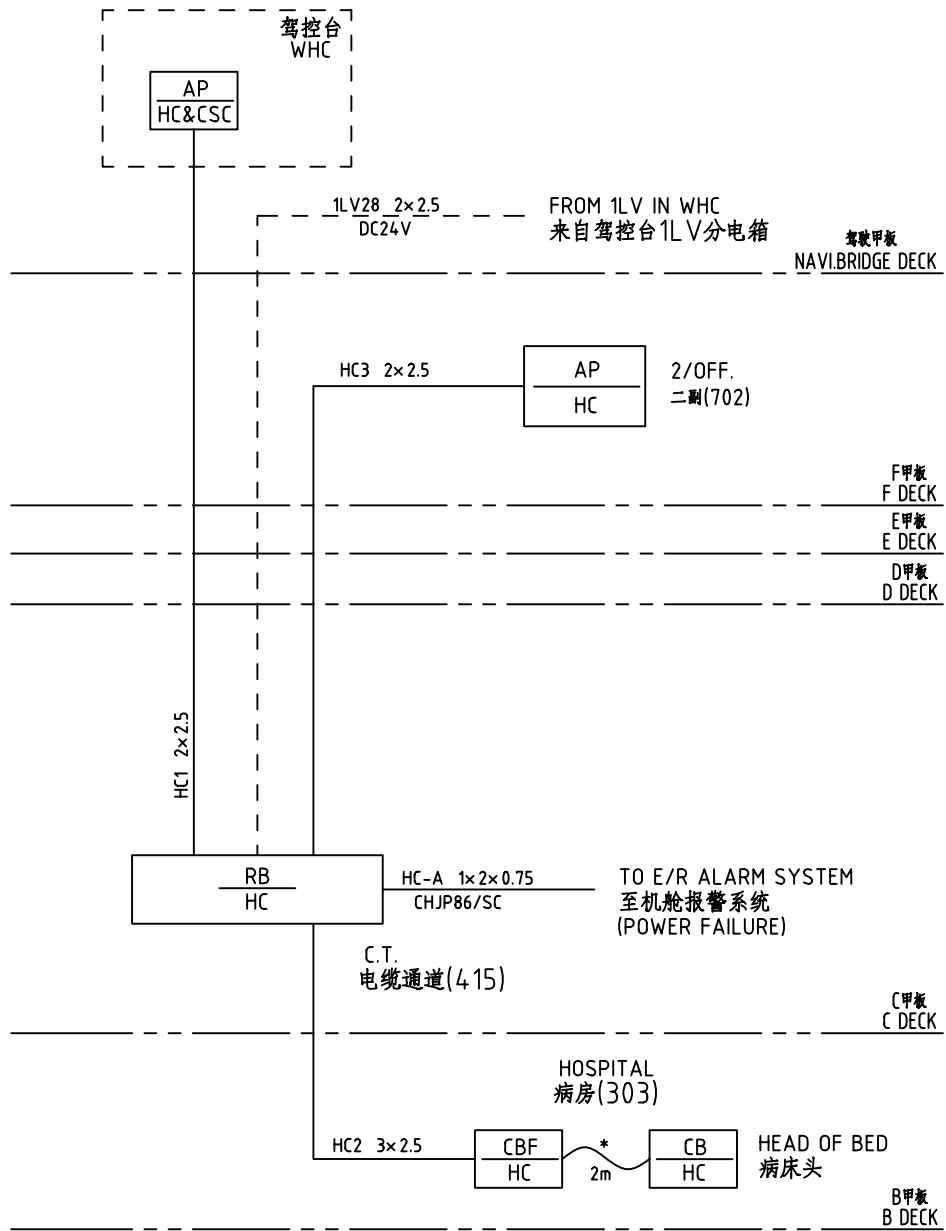
HOSPITAL CALL SYSTEM

DESIGNED BY		DRAWING NO.	TC06P174-10
COMPARED BY		REVISION	
CHECKED BY		CLASS	GL
APPROVED BY		DATE	2007-05-15

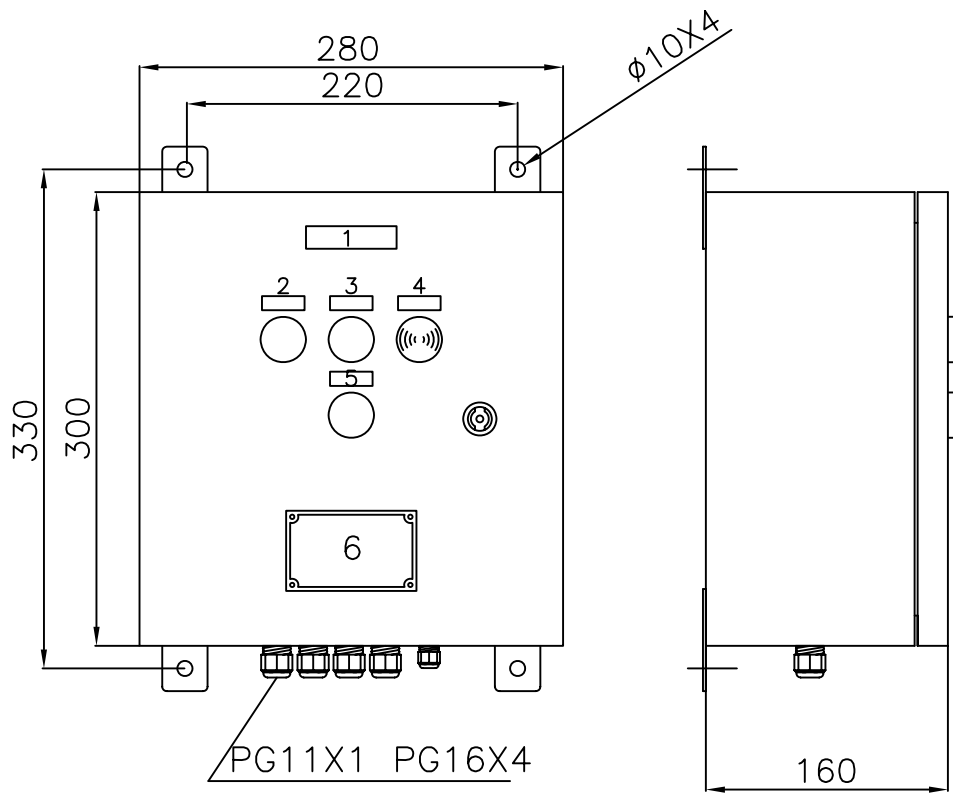


TERASAKI (CHINA) ELECTRIC CO., LTD

NO.	DWG.NO	DWG.SPECIFICATION	PAGE NO.	REMARKS
1	HC02	WIRING DIAGRAM FOR HOSPITAL CALL	2	
2	HC03	OUTLINE-VIEW DIAGRAM FOR HOSPITAL CALL SYSTEM RELAY BOX	3	
3	HC04	HOSPITAL CALL ALARM PANEL(WALL)	4	
4	HC05	HOSPITAL CALL ALARM PANEL(INDI.)	5	
5	HC06	HOSPITAL CALL CALL BUTTON	6	
6	HC07	CIRCUIT DIAGRAM FOR HOSPITAL CALL	7	
7	HC08	TERMINAL CONNECTION DIAGRAM FOR HOSPITAL CALL	8	
8	HC09	SPARE PARTS LIST	9	



5		HOSPITAL CALL ALARM (BUZZER WITH LAMP) IN WHC	1	
4		HOSPITAL CALL ALARM PANEL	1	
3		HOSPITAL CALL PUSH BUTTON WITH 2M CABLE	1	
2		HOSPITAL CALL PUSH BUTTON	1	
1		HOSPITAL CALL RELAY BOX IP44	1	
NO.	MARK	NAME TYPE	Q'TY	REMARK

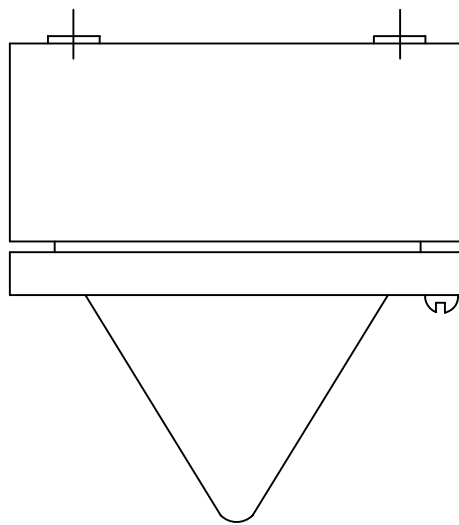
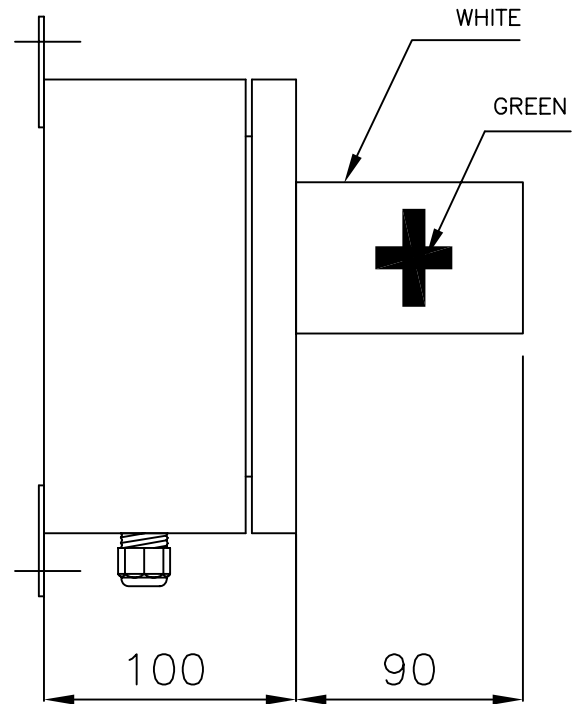
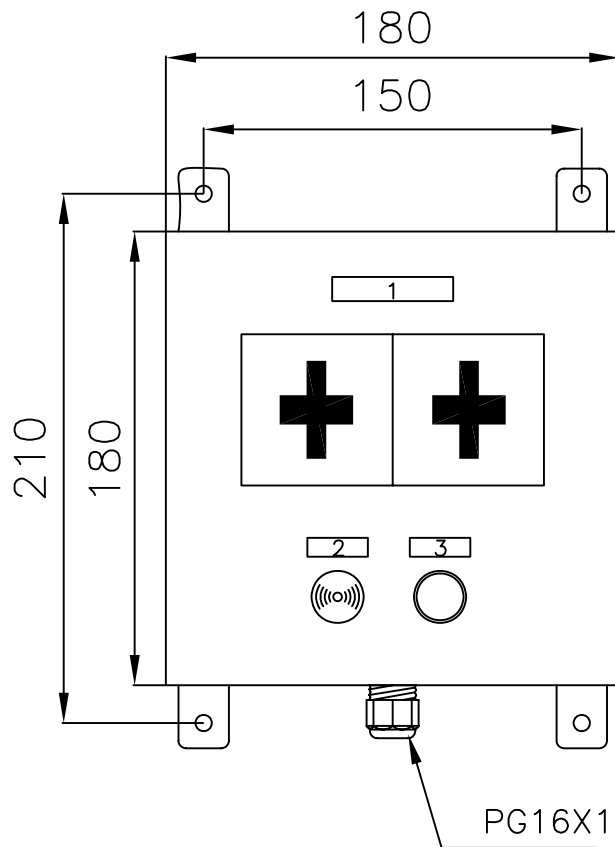


NAME

ITEM	DESCRIPTION
1	HOSPITAL CALL SYSTEM RELAY BOX
2	POWER
3	CALL
4	BUZZER
5	RESET
6	"FACTORY NAMEPLATE"

SPECIFISATION

- 1.MATERIAL: STEEL PLATE t=1.5
- 2.COLOR: RAL7032
- 3.ENCLOSURE: IP23

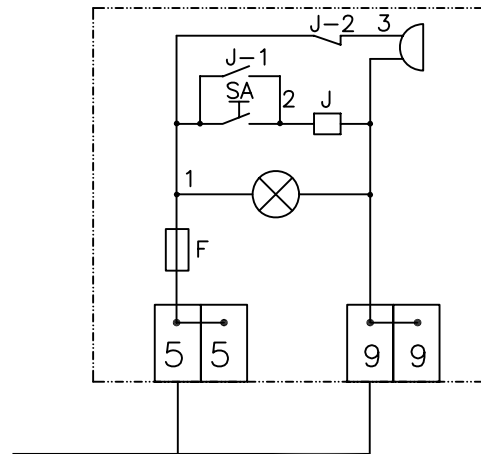


SPECIFICATION

- 1> MATERIAL: STEEL PLATE t=1.5
- 2> COLOR: RAL7032
- 3> ENCLOSURE: IP23

NAME PLATE

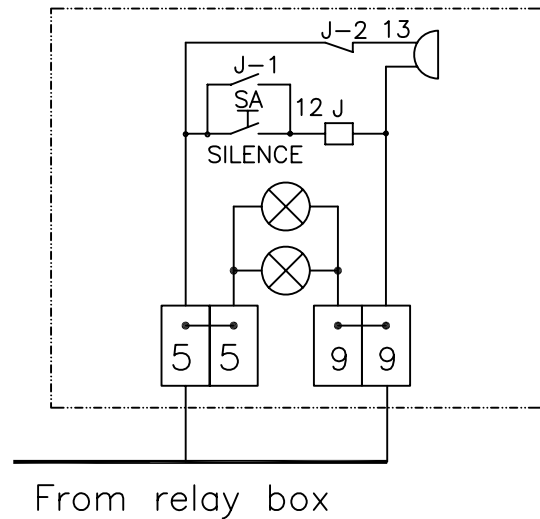
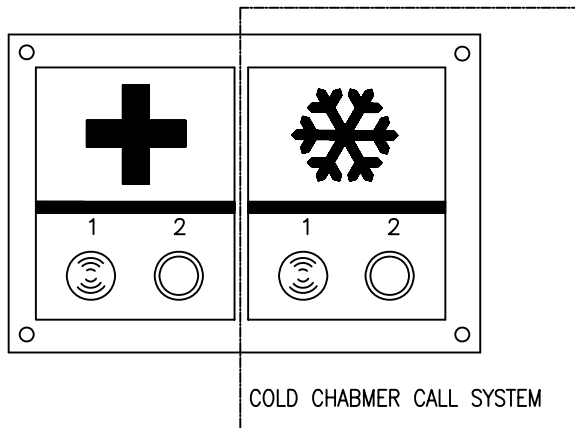
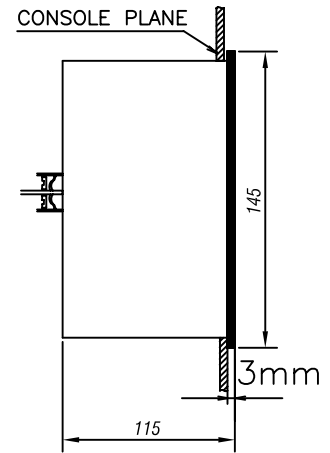
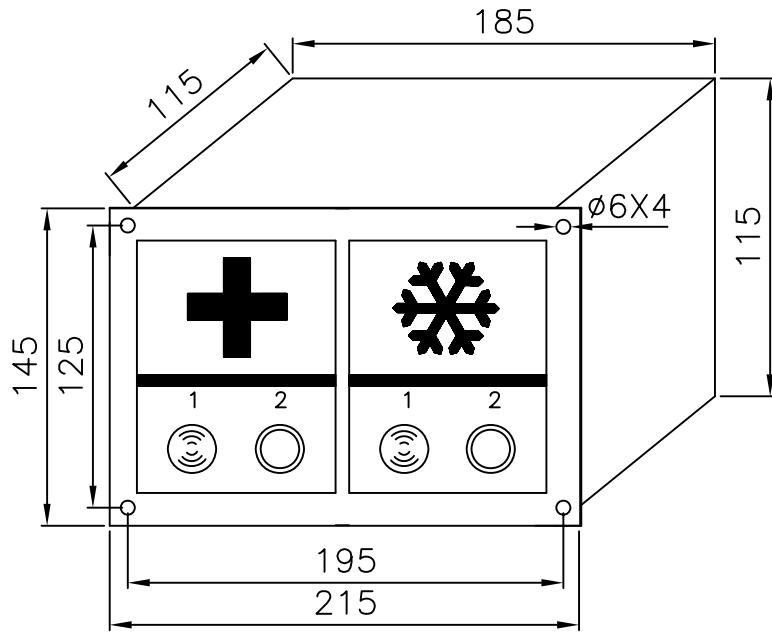
ITEM	DESCRIPTION
1	HOSPITAL CALL SYSTEM ALARM PANEL
2	BUZZER
3	SILENCE



From relay box

TECHNICAL DATA

- 1> SOUND LEVEL: 80db
- 2> OPERATING VOLAGE: DC24V
- 3> POWER: ABOUT 5W
- 4> TONE KIND: SHORT PULSES



SPECIFICATION

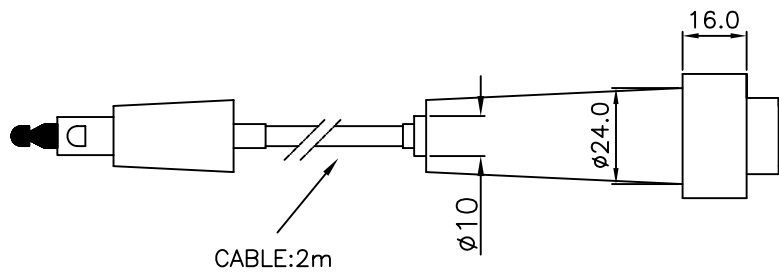
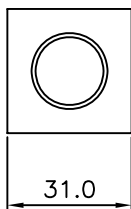
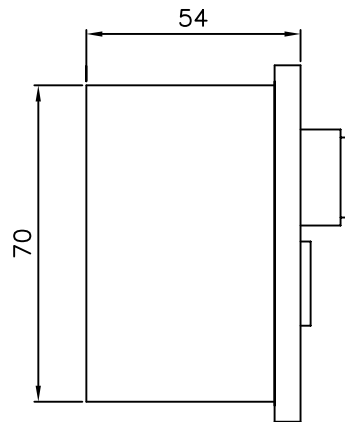
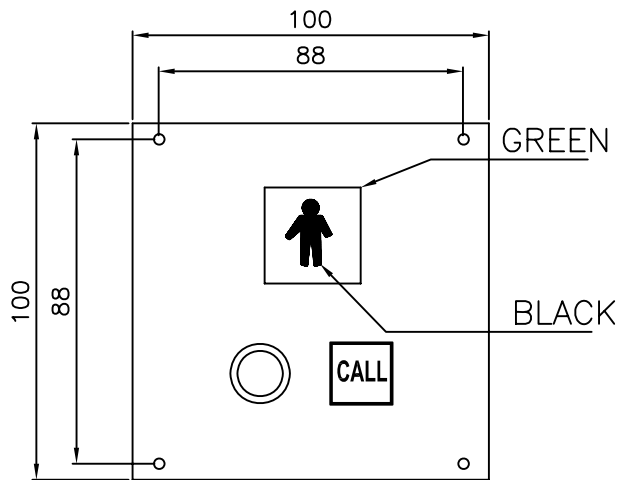
APERTURE SIZE: 187X117mm

NAME PLATE

ITEM	DESCRIPTION
1	BUZZER
2	SILENCE

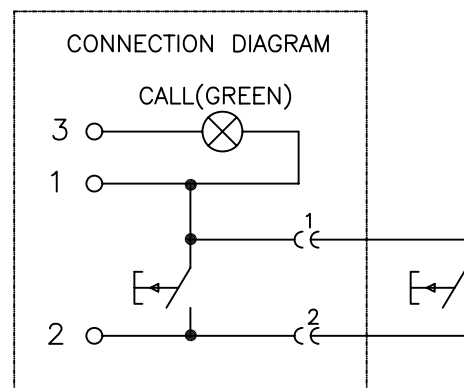
TECHNICAL DATA

- 1> POWER: ABOUT 5W
- 2> SOUND LEVEL: 80db
- 3> TONE KIND: SHORT PULSES
- 4> OPERATING VOLTAGE: DC24V

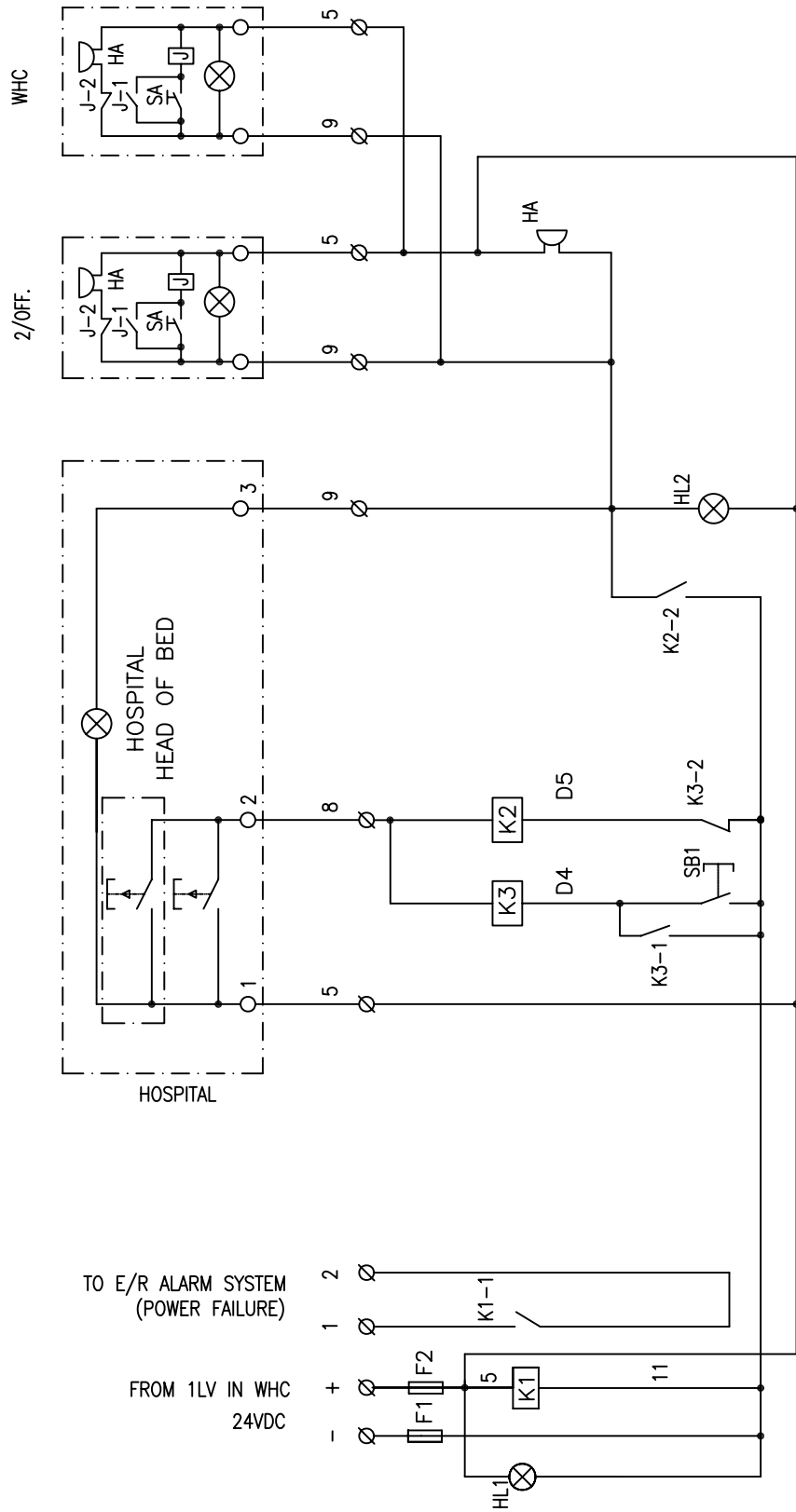


SPECIFICATION

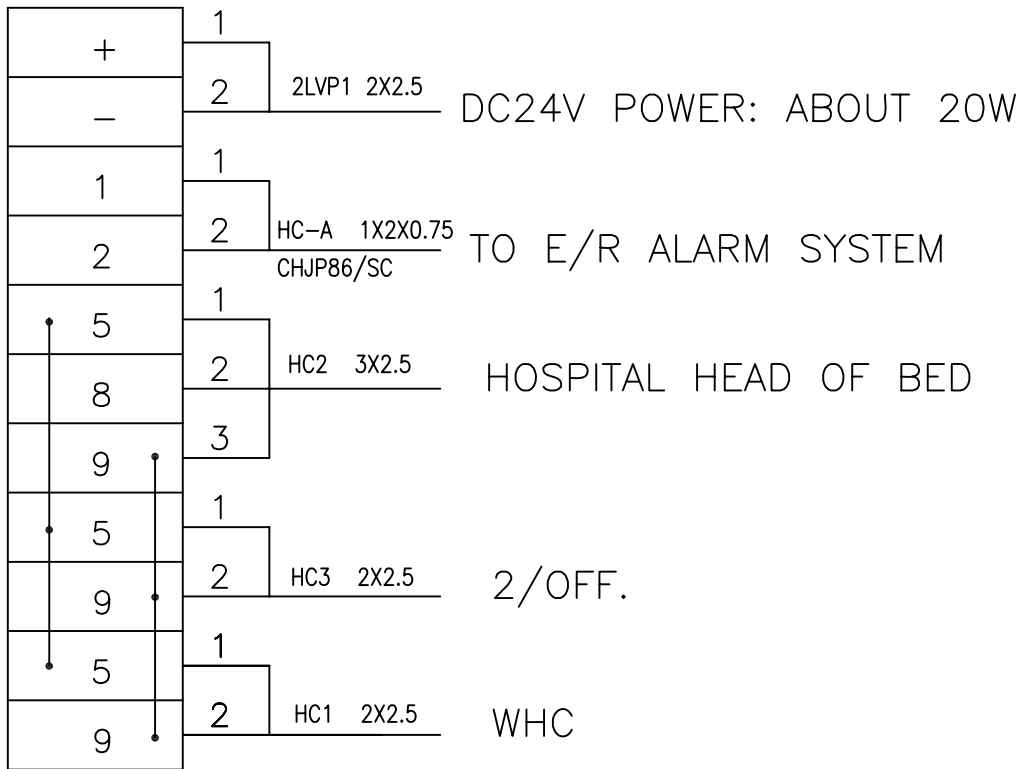
- 1> MATERIAL: STEEL PLATE $t=1.5$
- 2> COLOR: RAL7032



PRINCIPLE DIAGRAM FOR HOSPITAL CALL RELAY BOX



NO.	CODE	DESCRIPTION	TYPE	Q,TY	NO.	CODE	DESCRIPTION	TYPE	Q,TY
1	K1,K2,K3,J	RELAY	HH52P	4	5	HL2	ALARM LAMP	YW1P-1BEQ7R	1
2	F1,F2	FUSE	RL98-16/4A	2	6	SB1	BUTTON	YW1B-M1E10QW	1
3	HL1	POWER LAMP	YW1P-1BEQ7W	1	7	SA	BUTTON	YW1L-M1E10QY & LA39B(JY)	2
4	HA	BUZZER	AD16-22M/K DC24V	3	8				



NO.	CODE	DESCRIPTION	TYPE	QTY
1	F1,F2	FUSE	RL98B-4A	1
2	HL1	ALARM LAMP	YW1P-1BEQ7W	1
3	HL2	ALARM LAMP	YW1P-1BEQ7R	1
4	SB1	BUTTON	YW1B-M1E10QW	1
5	K1-K3,J	RELAY	HH52P	1