

SHANGHAI JIANGNAN CHANGXING HEAVY
INDUSTRY CO., LTD

Hull No.: H2390/2391/2392/2393
H2403/2404/2405/2406
H2442/2443/2444/2445

5100TEU CONTAINER VESSEL

ENGINE ROOM ALARM SYSTEM

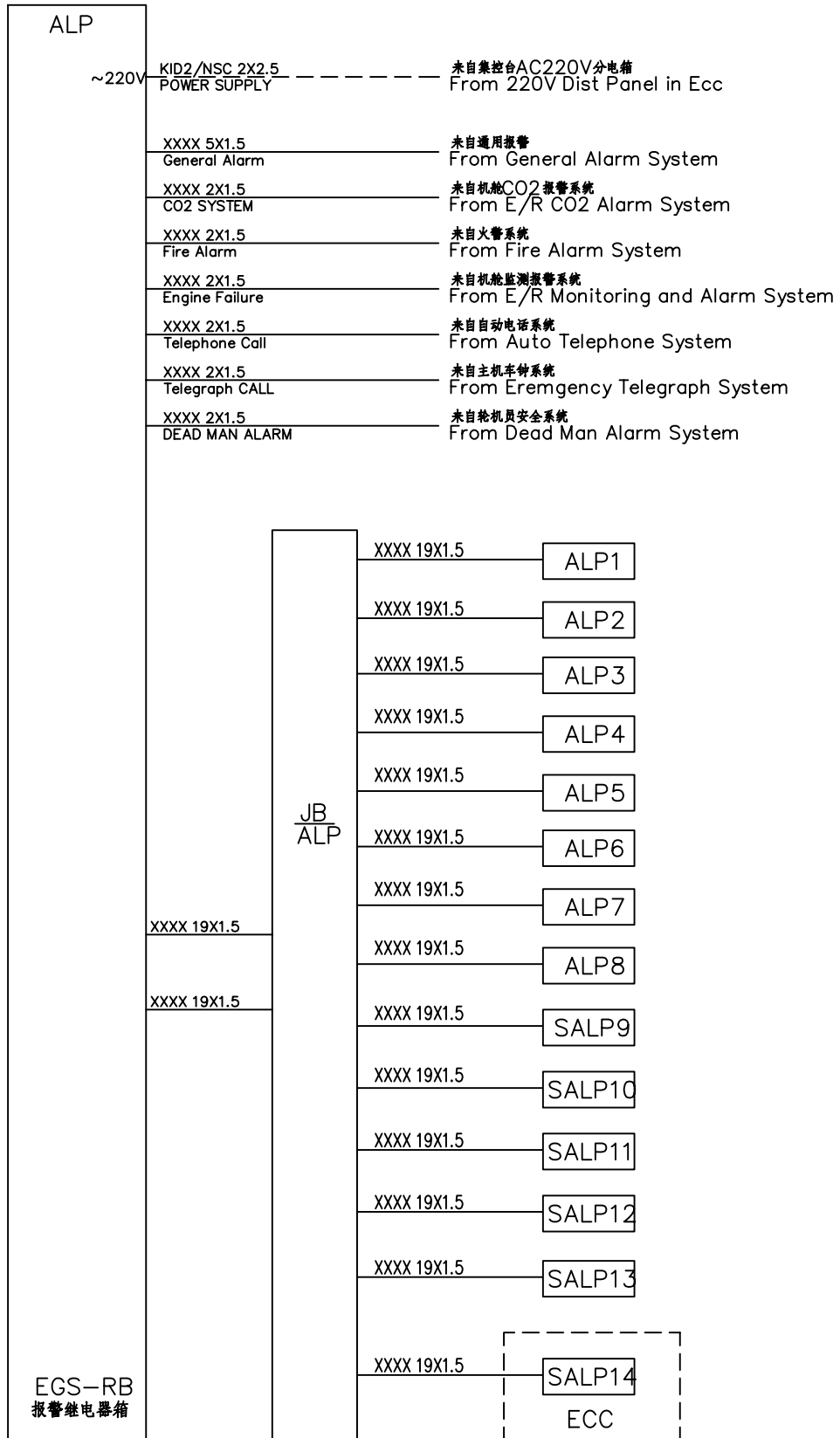
DESIGNED BY		DRAWING NO.	TC06P121
COMPARED BY		REVISION	A
CHECKED BY		CLASS	CCS(H2392/93/H2403/04/05/ 06/2442/43/44/45) GL+CCS(H2390/91)
APPROVED BY		DATE	2007-01-05



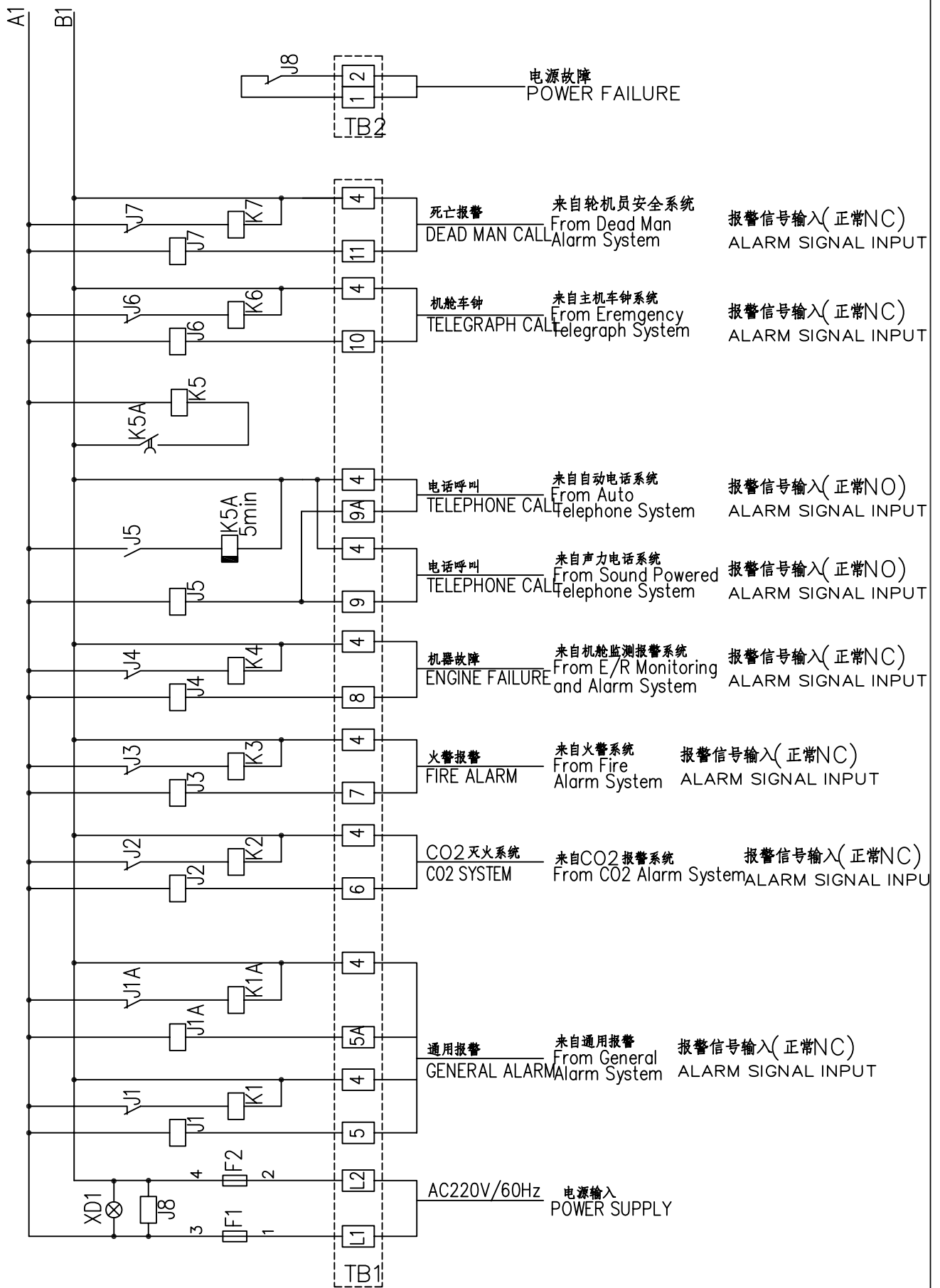
TERASAKI (CHINA) ELECTRIC CO., LTD

DRAWING TABLE

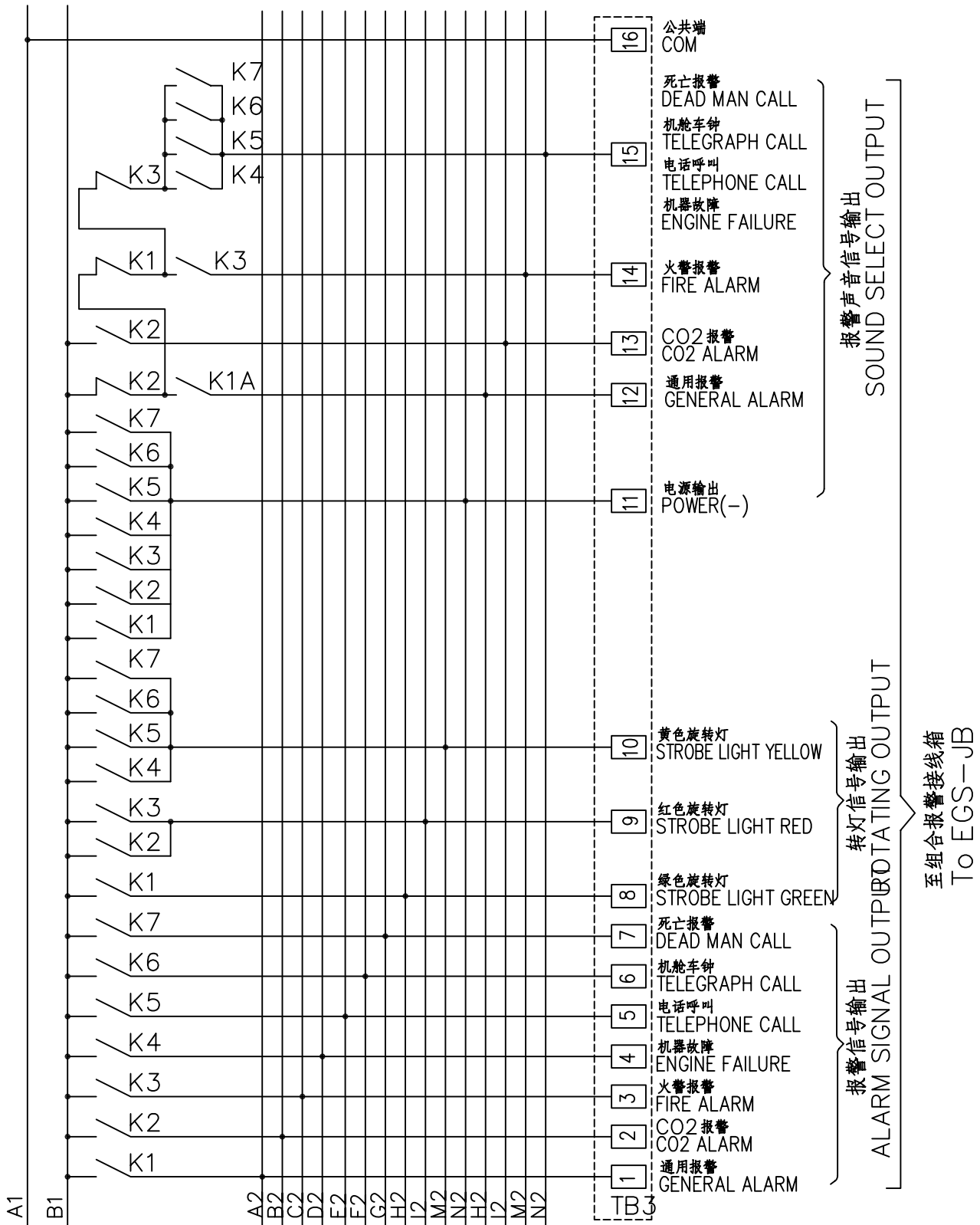
NO.	DWG.NO.	DWG.SPECIFICATION	PAGE NO.	REMARKS
1	EC-03	供货清单 SUPPLY LIST	3	
2	EC-04	报警系统图 ALARM SYS.INDICATION TABLE	4	
3	EC-05	报警系统方框图 ALARM SYSTEM BLOCK DIAGRAM	5	
4	EC-06	继电器箱原理图 PRINCIPLE DIAGRAM FOR RELAY BOX	6	
5	EC-07	继电器箱原理图 PRINCIPLE DIAGRAM FOR RELAY BOX	7	
6	EC-08	报警大灯柱接线图 TERMINAL CONNECTION FOR ALARM RELAY BOX		
7	EC-09	报警灯柱接线图 OUTLINE-VIEW DIAGRAM FOR ALARM LIGHT COLUMN IN E/R	9	
8	EC-10	报警大灯柱外形图 OUTLINE-VIEW DIAGRAM FOR ALARM LIGHT COLUMN IN E/R	10	
9	EC-11	报警大灯柱接线图 TERMINAL CONNECTION FOR ALARM INDI. PANEL	11	
10	EC-12	报警小灯柱外形图 OUTLINE-VIEW DIAGRAM FOR ALARM INDI. PANEL	12	
11	EC-13	报警电笛技术数据 TECHNICAL DATA FOR SIREN (S1\S2)	13	
12	EC-14	机舱报警指示板接线图 PRINCIPLE DIAGRAM FOR OPTICAL ALARM PANEL	14	(INBUILT)
13	EC-15	机舱报警指示板外形图 OUTLINE-VIEW FOR OPTICAL ALARM PANEL	15	(INBUILT)
14	EC-16	接线箱外形图 OVERALL & FIXING DIMENSIONS FOR JUNCTION BOX	16	
15	EC-17	机舱组合报警接线图 TERMINAL CONNECTION FOR ALARM SYSTEM	17	
16	EC-18	机舱组合报警接线图 TERMINAL CONNECTION FOR ALARM SYSTEM	18	
17	EC-19	备件箱外形图 OUTLINE-VIEW OF SPARE PARTS BOX	19	
18	EC-20	备件清单 SPARE PARTS LIST	20	

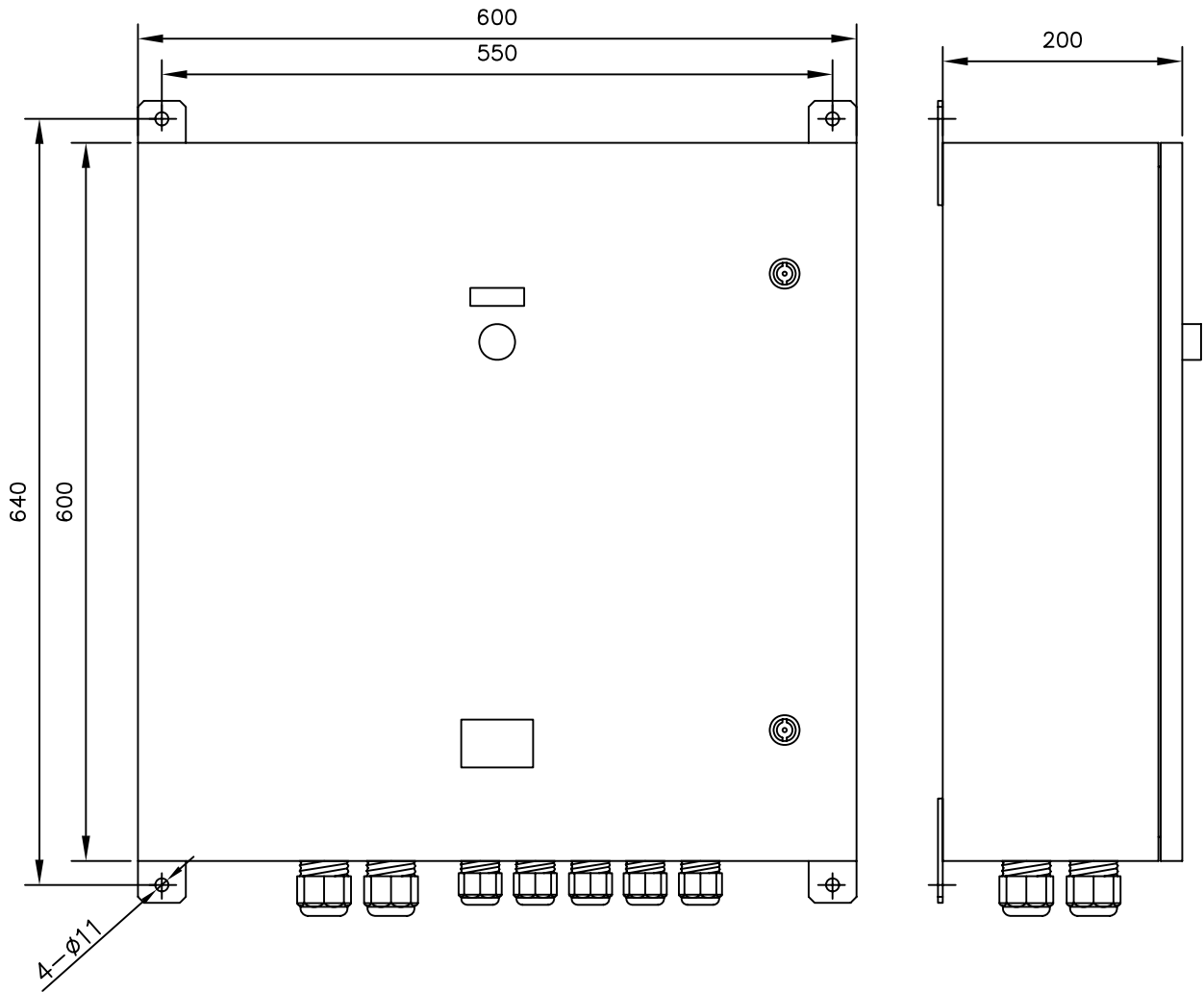


指示内容 INDICATION		信号种类 SIGNAL KIND (NC)	通用报警 GENERAL ALARM	CO2报警 CO2 ALARM	火警 FIRE ALARM	机器故障 ENGINE TROUBLE	电话呼叫 TELEPHONE CALL	车钟报警 TELEGRAPH CALL	死亡报警 DEAD MAN ALARM
		符号 SIGNED	通用报警 GENERAL ALARM		×				
CO2报警 CO2 ALARM				×					
火警 FIRE ALARM					×				
机器故障 ENGINE FAILURE						×			
电话呼叫 TELEPHONE CALL							×		
机舱车钟 TELEGRAPH CALL								×	
死亡报警 DEAD MAN ALARM									×
频闪灯 STROBE LIGHT	绿 GREEN		×						
	红 RED			×	×				
	黄 YELLOW					×	×	×	×
报警器 SIREN (S1)			×	×	×	×	×	×	×
报警器 SIREN (S2)			×	×	×	×	×	×	×
蜂鸣器 BUZZER			×	×	×	×	×	×	×



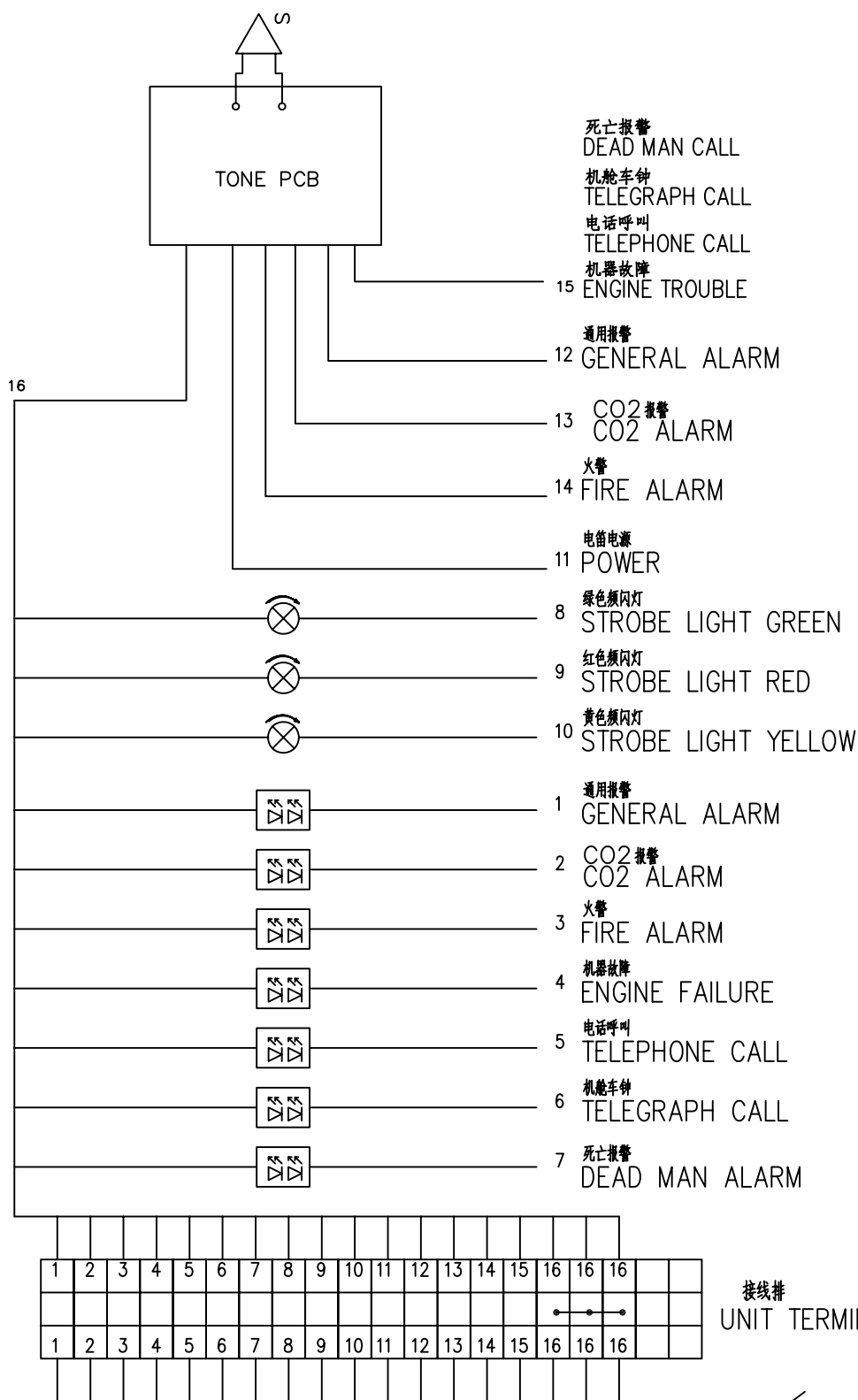
ITEM 序号	CODE 代号	DESCRIPTION 名称	TYPE 型号	QTY 数量	REMARKS 备注
1	J1~J8, J1A	RELAY 中间继电器	HH52P	9	AC220V 60Hz
2	K1~K7, K1A	AC CONTACTOR 交流接触器	LC1-D0910M7C	8	AC220V 60HZ
3	XD1	INDICATOR 指示灯	YW1P-1BEQM3W	1	AC220V/WHITE
4	K5A	TIME RELAY 时间继电器	OMRON H3CR	2	AC220V
5	FU1, FU2	FUSE 保险丝	RL98-16(10A)	2	



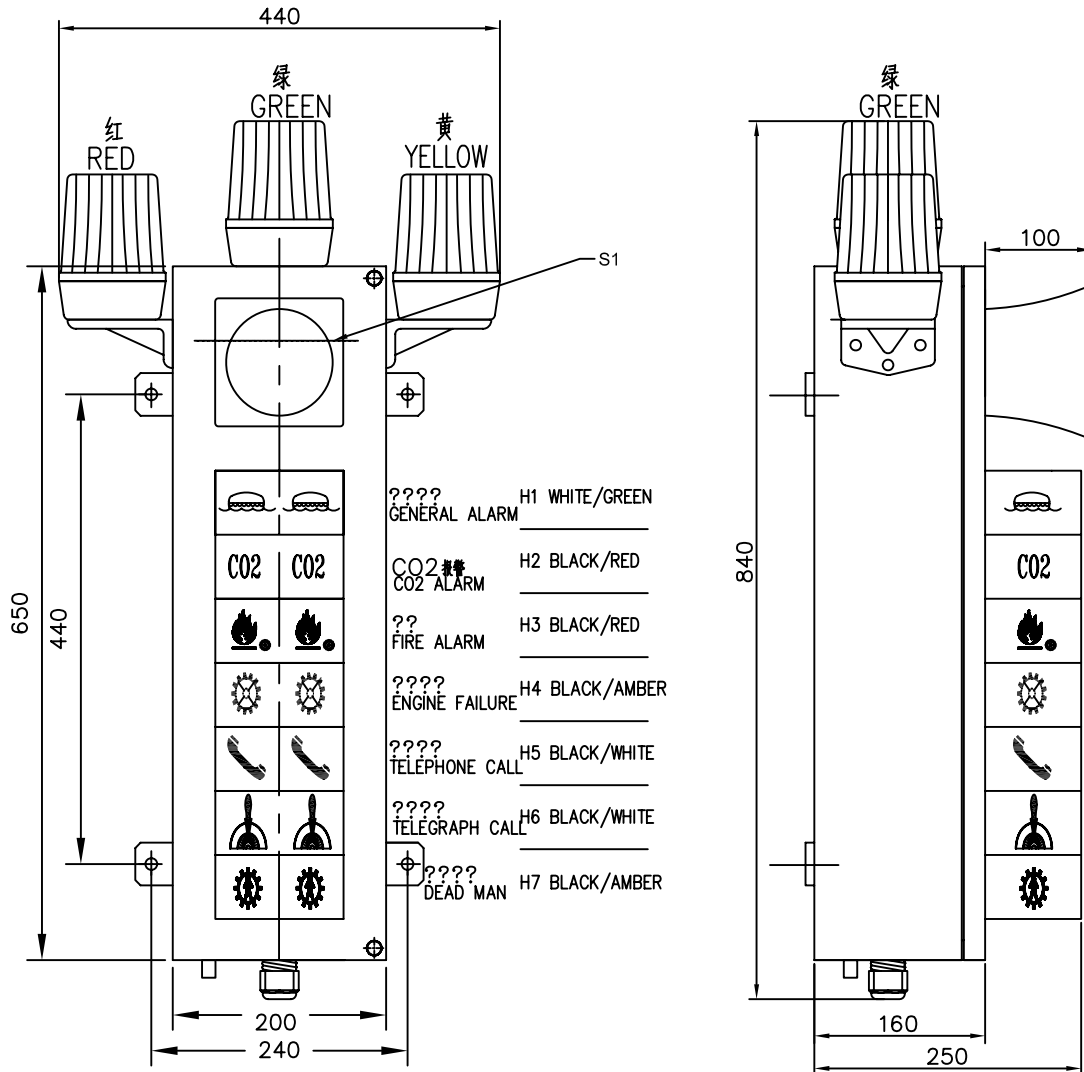


- ??:
1. ????: 32Kg
 2. ?????: RAL7042
 3. ??: ?? ?2mm
 4. ?????: IP44
 5. 电缆填料函: PG16X7,PG19X1,PG29X2

- NOTE:
1. APPROX. WEIGHT: 32Kg
 2. PAINT COLOUR: RAL7042
 3. PLATE MATERIAL: STEEL t=2mm
 4. ENCLOSURE: IP44
 5. CABLE GLAND: PG16X7,PG19X1,PG29X2



FROM E/R GROUP ALARM JUNCTION BOX
来自机舱组合报警接线箱



说明:

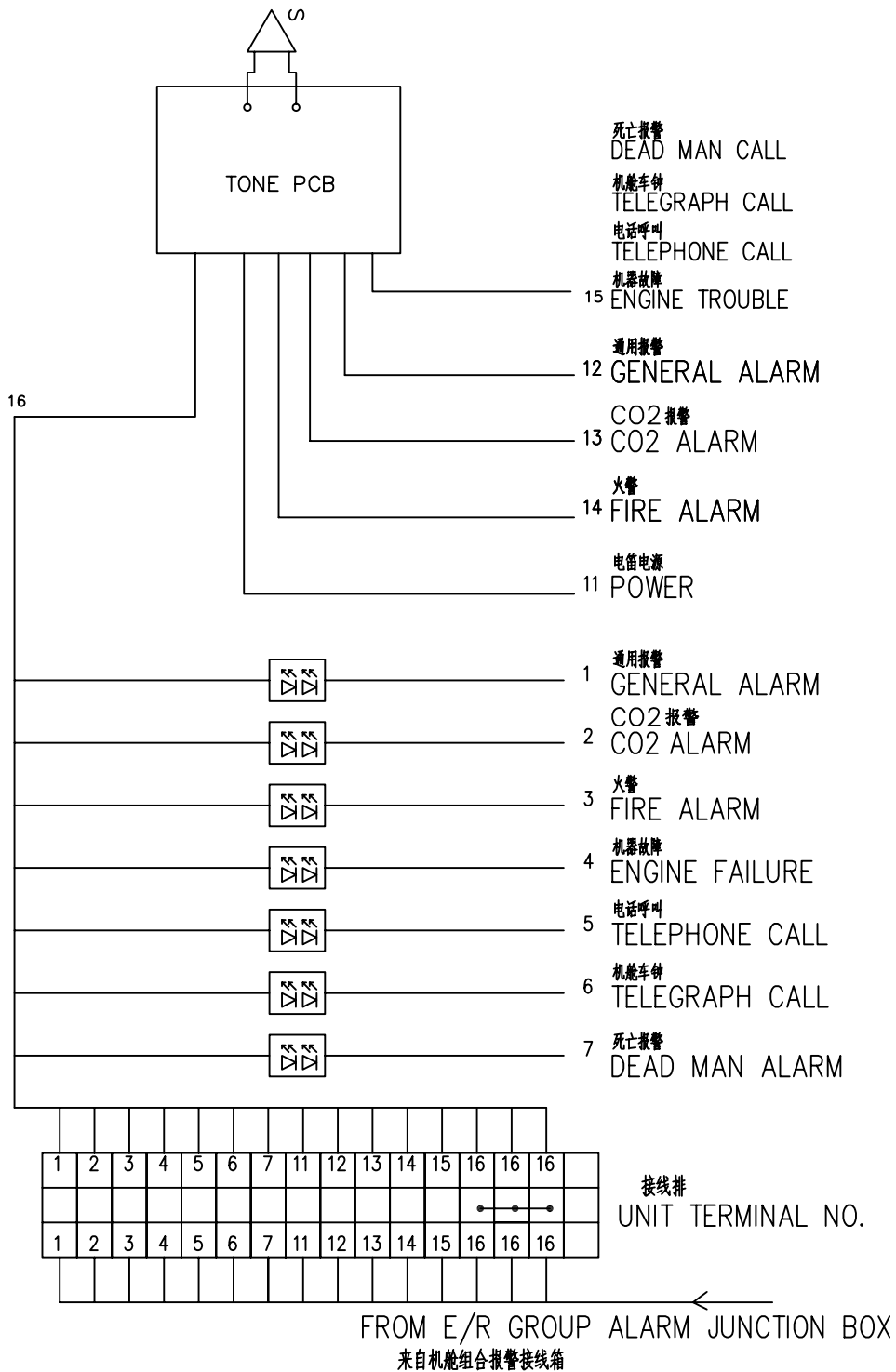
1. 重量约: 25Kg
2. 箱体颜色: RAL7042
3. 材料: 钢板 厚1.5mm
4. 防护等级: IP44
5. 电缆填料函: PG29X1

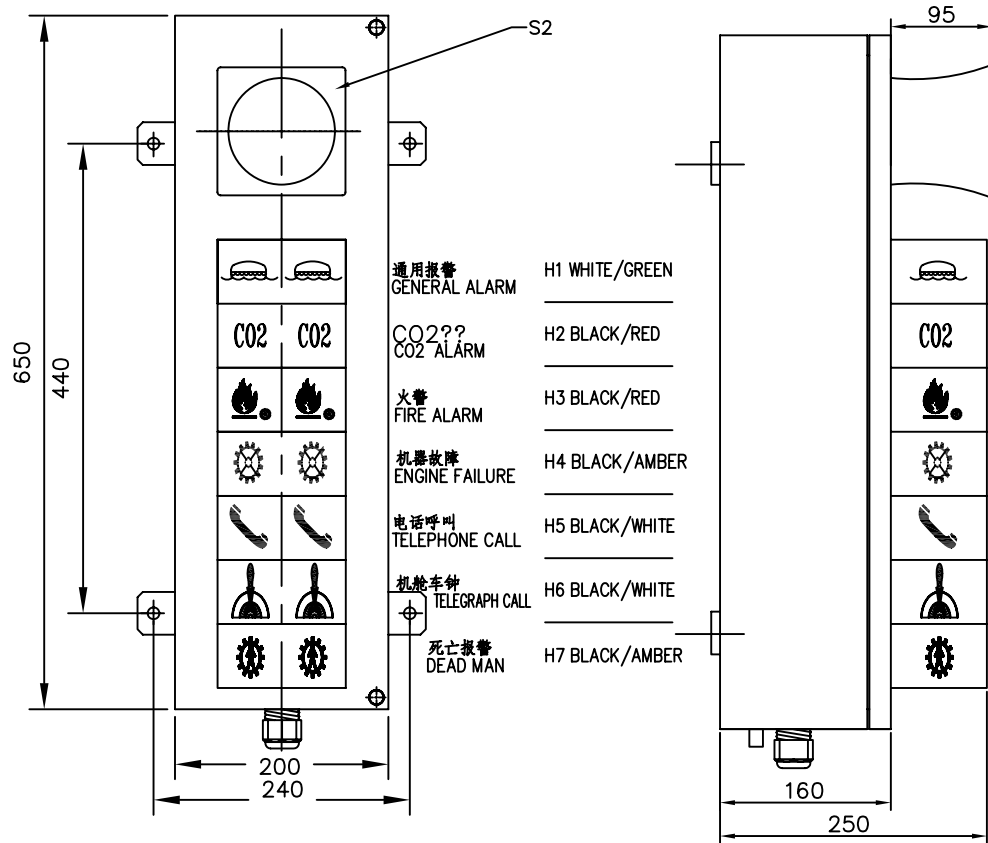
NOTE:

1. APPROX. WEIGHT: 25Kg
2. PAINT COLOUR: RAL7042
3. PLATE MATERIAL: STEEL t=1.5mm
4. ENCLOSURE: IP44
5. CABLE GLAND: PG29X1

STROBE LIGHT TECHNICAL:

- OPERATING VOLTAGE: DC 24V
 BULB: LED
 POWER CONSUMPTION: ABT. 0.15A
 GLASS COVER COLOUR: RED/YELLOW/GREEN
 MANUFACTURER: SHENGFA



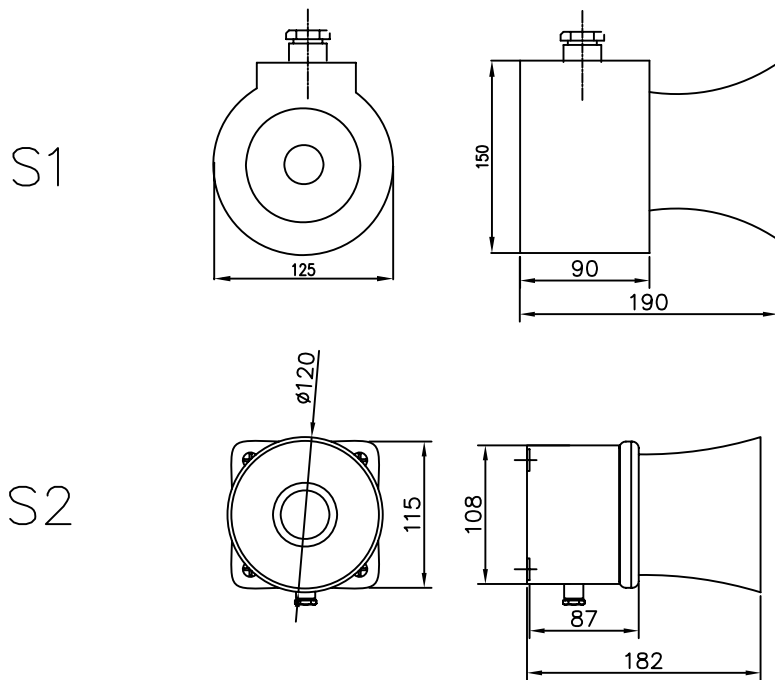


??:

1. ????: 25Kg
2. ?????: RAL7042
3. ??: ?? ?1.5mm
4. ?????: IP44
5. ??????: PG29X1

NOTE:

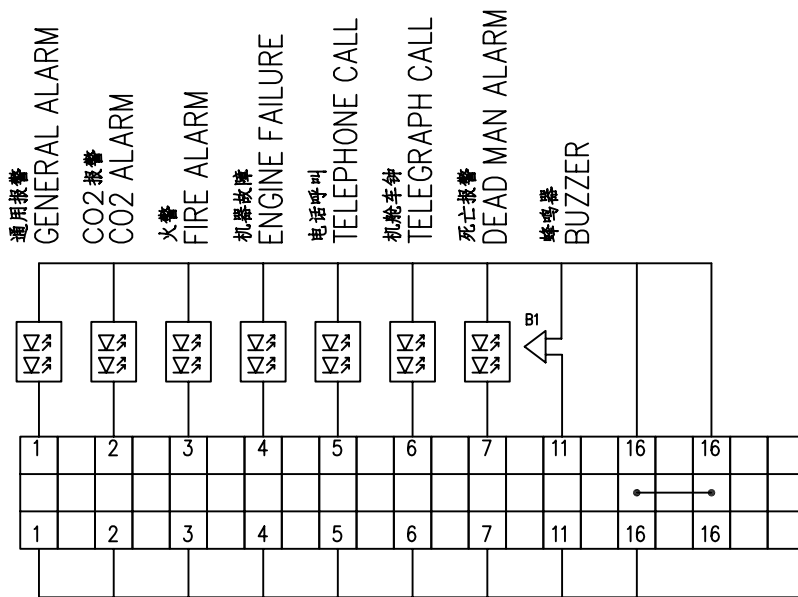
1. APPROX. WEIGHT: 25Kg
2. PAINT COLOUR: RAL7042
3. PLATE MATERIAL: STEEL t=1.5mm
4. ENCLOSURE: IP44
5. CABLE GLAND: PG29X1



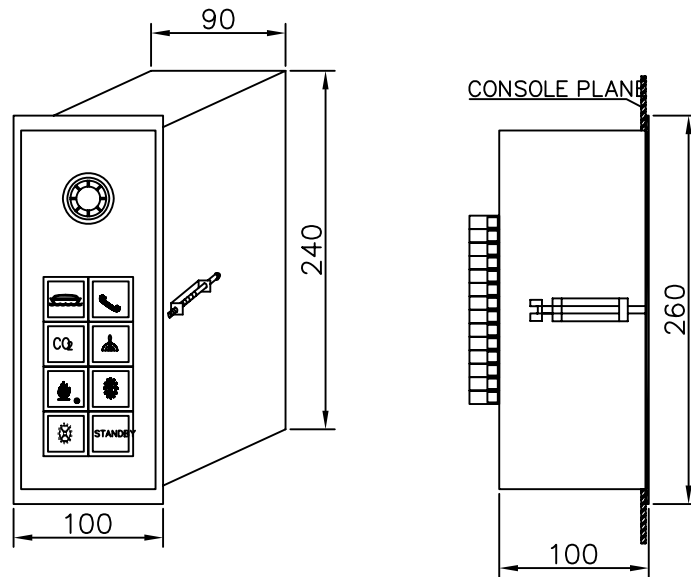
Technical Parameter

1. SOUND LEVEL(AT DISTANCE OF 1.0M) $S_1 \geq 115$ dB
1. SOUND LEVEL(AT DISTANCE OF 1.0M) $S_2 \geq 110$ dB
2. OPERATING VOLTAGE: AC220V
3. CURRENT CONSUMPTION: 0.06A
4. COLOUR: 5R 4/3
5. TONE KIND:

	GENERAL ALARM
	CO2 ALARM
	FIRE ALARM
	ENGINE FAILURE TELEPHONE CALL TELEGRAPH CALL DEAD MAN ALARM



← 来自机舱组合报警接线箱
 FROM E/R GROUP ALARM JUNCTION BOX

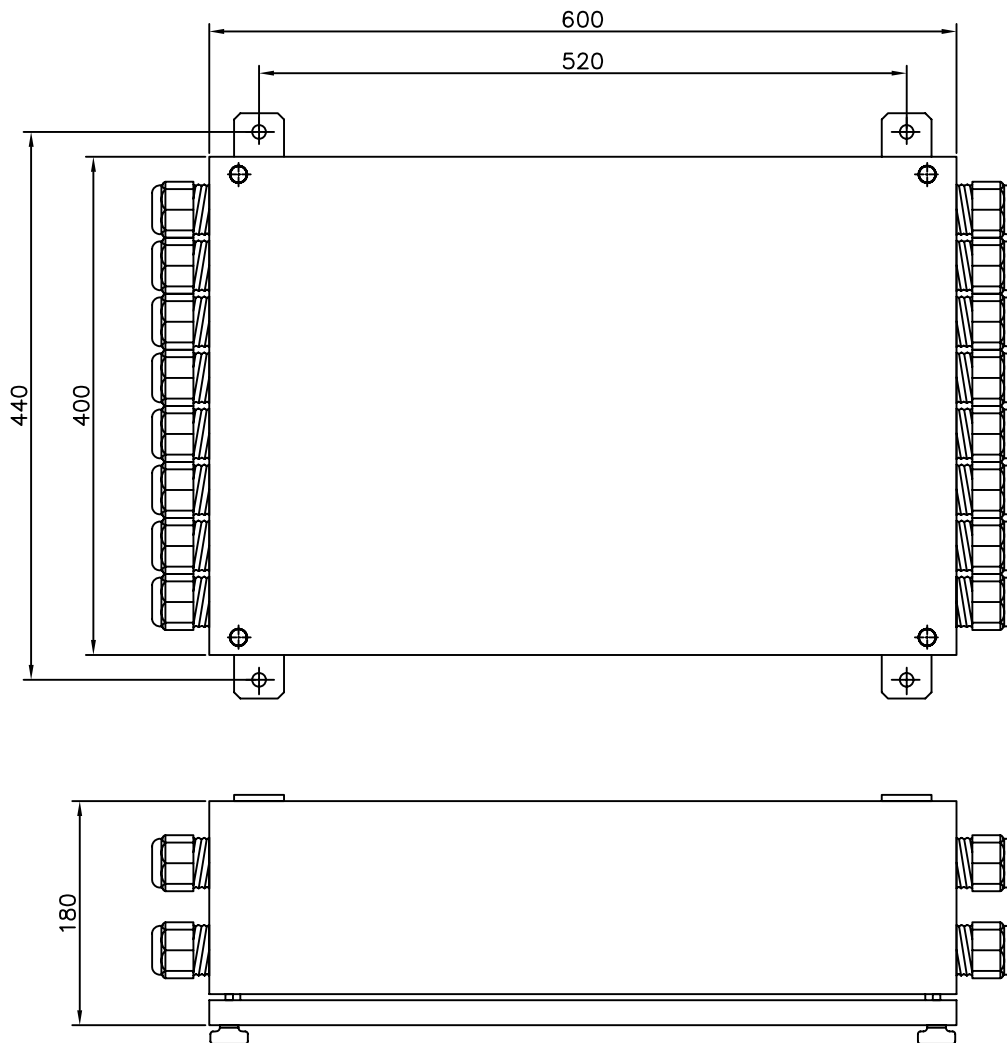


说明:

1. 重量约: 2Kg
2. 箱体颜色: 黑色
3. 材料: 钢板 厚1.5mm
4. 防护等级: IP22

NOTE:

1. APPROX. WEIGHT: 2Kg
2. PAINT COLOUR: BLACK
3. PLATE MATERIAL: STEEL t=1.5mm
4. ENCLOSURE: IP22



说明:

1. 重量约: 20Kg
2. 箱体颜色: RAL7042
3. 材料: 钢板 厚1.5mm
4. 防护等级: IP44
5. 填料函: PG29x16

NOTE:

1. APPROX. WEIGHT: 20Kg
2. PAINT COLOUR: RAL7042
3. PLATE MATERIAL: STEEL t=1.5mm
4. ENCLOSURE: IP44
5. STUFFING BOX: PG29x16

至报警继电器箱
TO EGS-RB

至组合报警灯板1
TO EGS-ALP1

至组合报警灯板2
TO EGS-ALP2

至组合报警灯板3
TO EGS-ALP3

至组合报警灯板4
TO EGS-ALP4

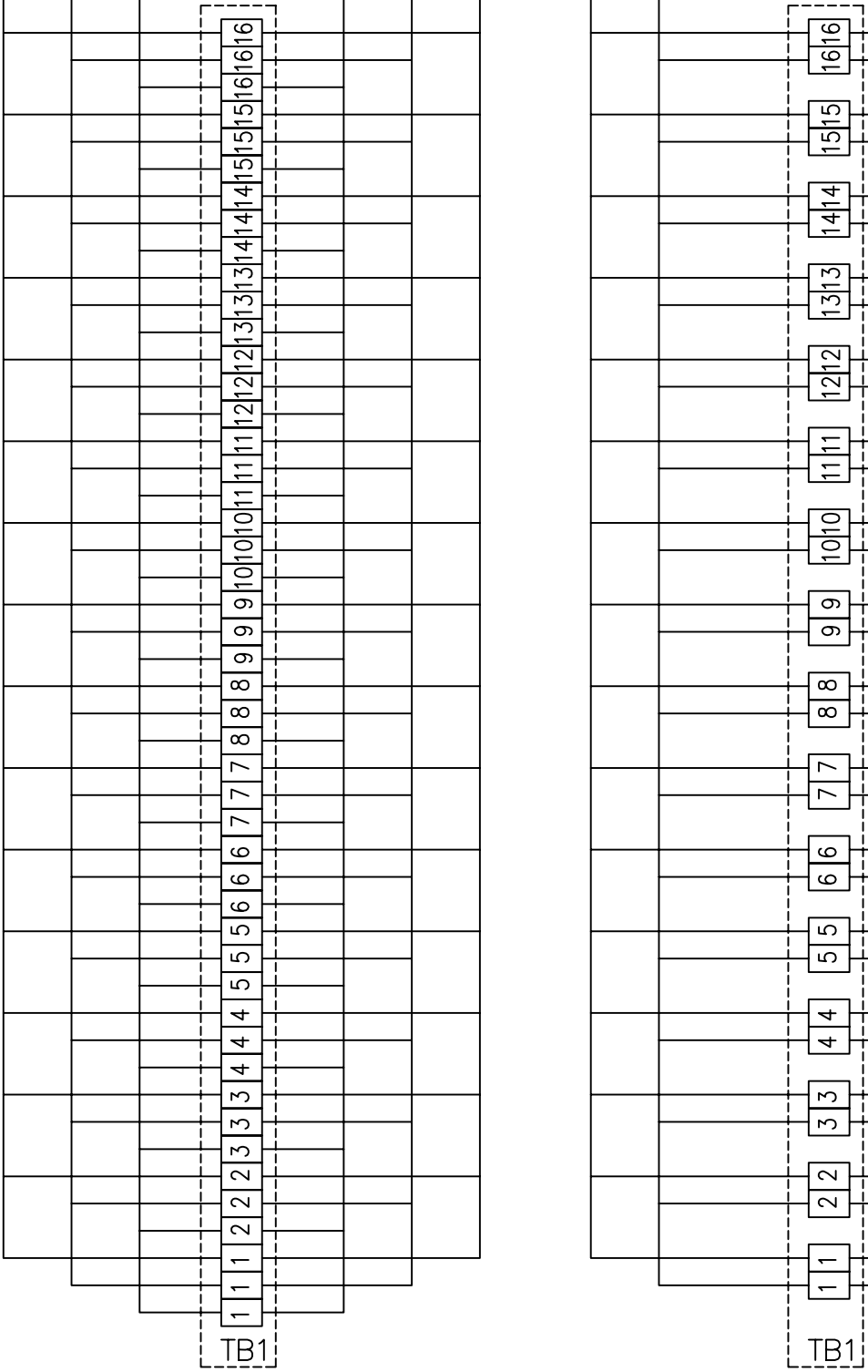
至组合报警灯板5
TO EGS-ALP5

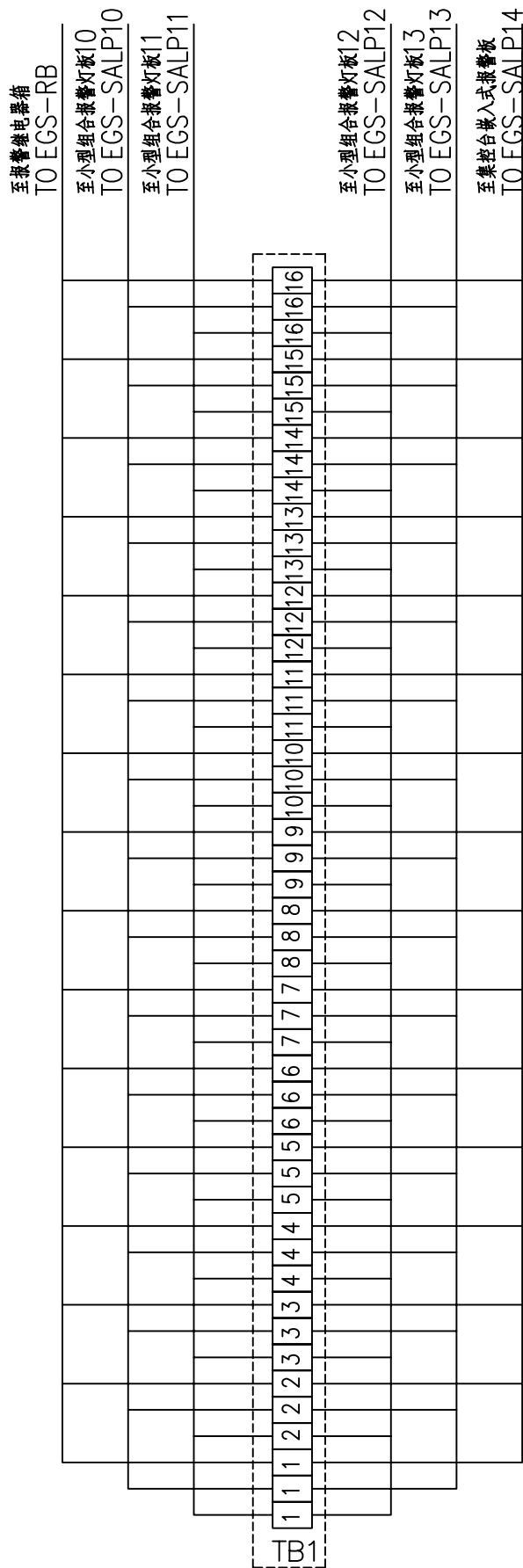
至组合报警灯板6
TO EGS-ALP6

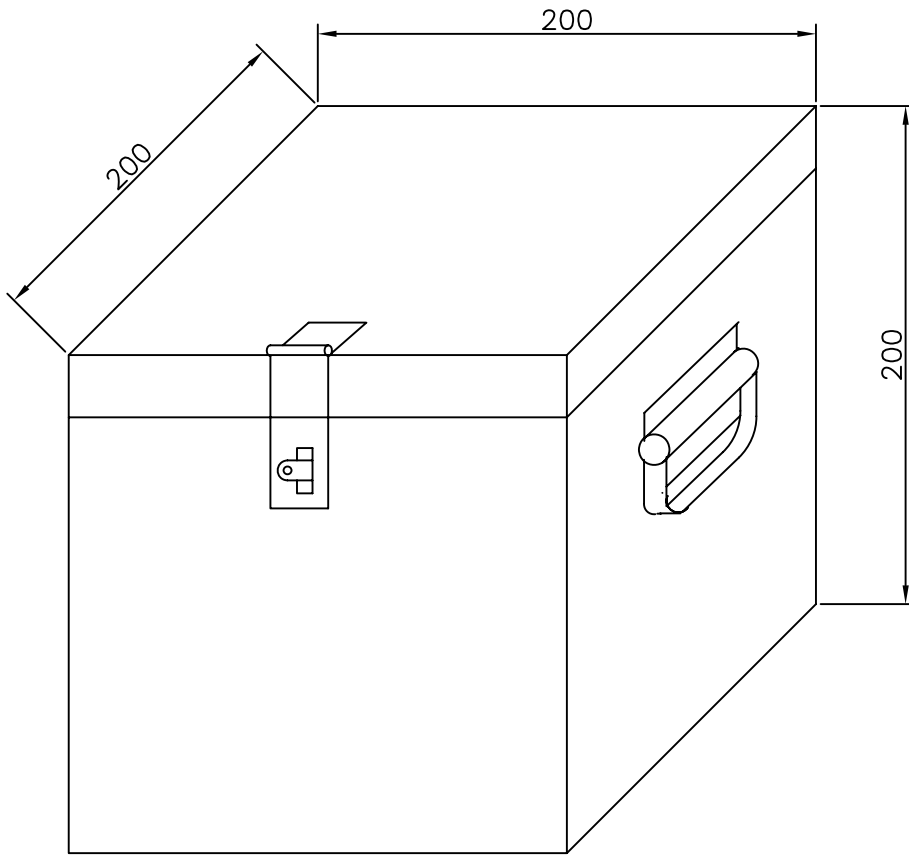
至组合报警灯板7
TO EGS-ALP7

至组合报警灯板8
TO EGS-ALP8

至组合报警灯板9
TO EGS-SALP9







NAME PLATE
铭 牌

SPARE PARTS BOX

