

图纸履历 PLAN HISTORY

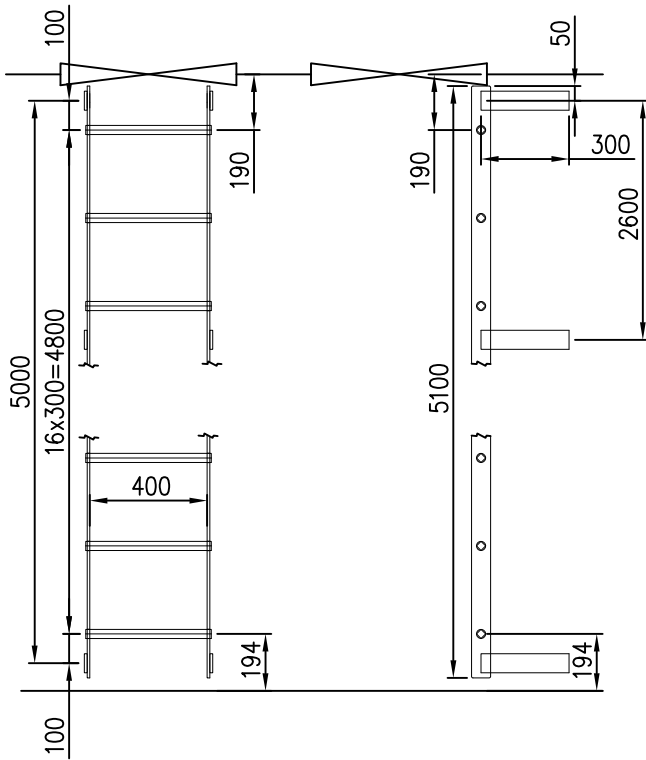
日期 DATE	标记 MARK	数量 NUMBER	版本 REV.	修改单号/说明 MODIFICATION NO./DESCRIPTION	页码 PAGE	设绘 DESIGN	审核 EXAMINE

--	--	--	--	--	--	--	--

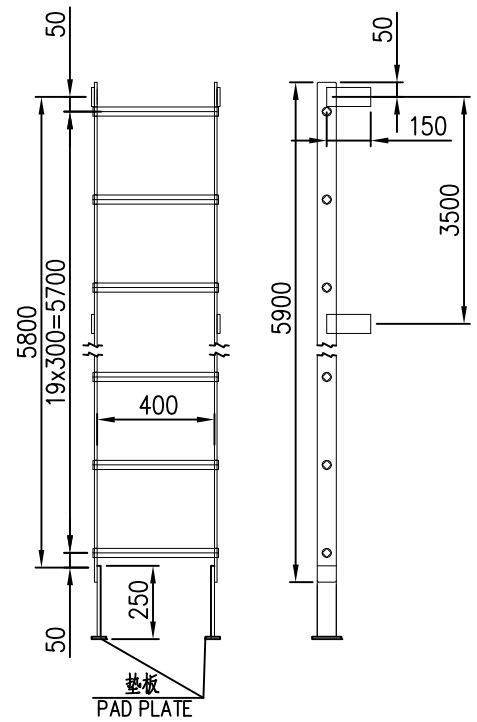
JNSD Shanghai China Tel: +86-021-53025656 Fax: +86-021-63012364 E-mail: jnsd@jnshipyard.com.cn			5,100 箱集装箱船 5,100TEU CONTAINER VESSEL			设计阶段 DES.STA.	完工设计 FINISH DESIGN					
						工程号 HULL NO.	H2431					
文件号 FILE		版本 REV.		澳大利亚货舱通道及梯布置图 ARR. OF PASSAGEWAY & LADDERS IN HOLD FOR AMSA			图号 DRAWING NO.		FO-16 72001600D			
设绘 DESIGN		审核 EXAMINE					重量 (kg) WEIGHT		比例 SCALE	1:100	面积m ² AREA	
校对 CHECK		复审 REVIEW					共 27 页 TOTAL SHEETS			第 1 页 SHEET		
会签 COUNTERSIGN		审定 CONFIRM					上海江南长兴重工有限责任公司 SHANGHAI JIANGNAN CHANGXING HEAVY INDUSTRY CO.,LTD.					
标检 STANDARDIZE		批准 APPROVE										

ARR. OF PASSAGEWAY & LADDERS IN HOLD FOR AMSA			工程号	H2431	PAGE		
澳大利亚货舱通道及梯布置图			图号	FO-16/72001600D	2/27		
20	B 400X2000 REFER CB/T73-1999	直梯 □ 22	2	Q235-A	32.16	64.32	
		VERTICAL LADDER					
19	见第7页 SEE PAGE 7	扶手 φ42.25	23	Q235-A			
		HAND RAIL					
18	见第7页 SEE PAGE 7	扶手 φ42.25	18	Q235-A			
		HAND RAIL					
17	见第7页 SEE PAGE 7	平台 1400X1200	9	Q235-A			
		PLATFORM					
11		扶手 • φ18	~40m	Q235-A	3.77 kg/m	150.8	
		HAND RAIL					
10	见第6页 SEE PAGE 6	自闭棒 φ42.25x4	281	Q235-A	2.75	772.75	
		SAFETY BAR					
9		栏杆横档 • φ19	~6006m	Q235-A	2.23 kg/m	13393	
		ROUND BAR					
8		栏杆扶手 φ42.25x4	~3003m	Q235-A	3.77 kg/m	11321	
		RAIL					
7		栏杆柱 -60x15	~1850	Q235-A	6.9	12765	
		RAIL POST -60x15					
6	B 400X2400 REFER CB/T73-1999	直梯 □ 22	9	Q235-A	36.74	330.66	
		VERTICAL LADDER					
5	见第4页 SEE PAGE 4	斜梯 55°	44	Q235-A	~195	8580	
		INCLINED LADDER					
4	见第7页 SEE PAGE 7	平台 800X800	14	Q235-A	~70	~980	
		PLATFORM					
3	B 400X6200 REFER CB/T73-1999	直梯 □ 22	14	Q235-A	104.25	1459.5	
		VERTICAL LADDER					
2	B 400X5800 REFER CB/T73-1999	直梯 □ 22	2	Q235-A	96.99	193.98	
		VERTICAL LADDER					
1	B 400X5000 REFER CB/T73-1999	直梯 □ 22	17	Q235-A	85.65	1456.05	
		VERTICAL LADDER					
ITEM NO. 序号	MARK 代号	NAME & SPEC 名称及规格	QTY. 数量	MATERIAL 材料	SIN. 每件	TOT. 单件	REMARKS 附注
					WEIGHT(KG) 重量(kg)		

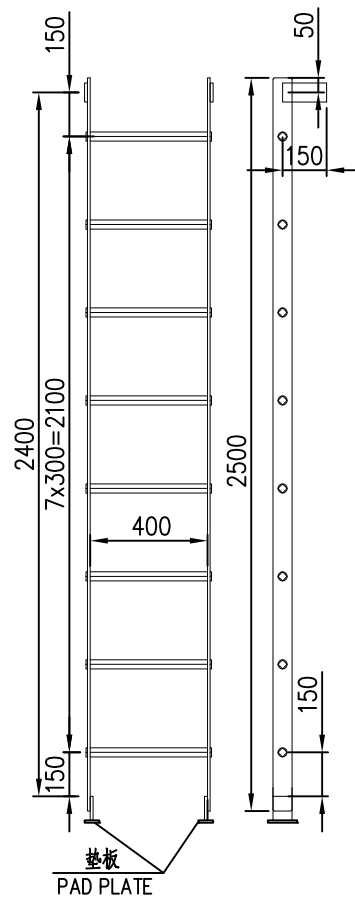
① ITEM 1
件号 1
1:25



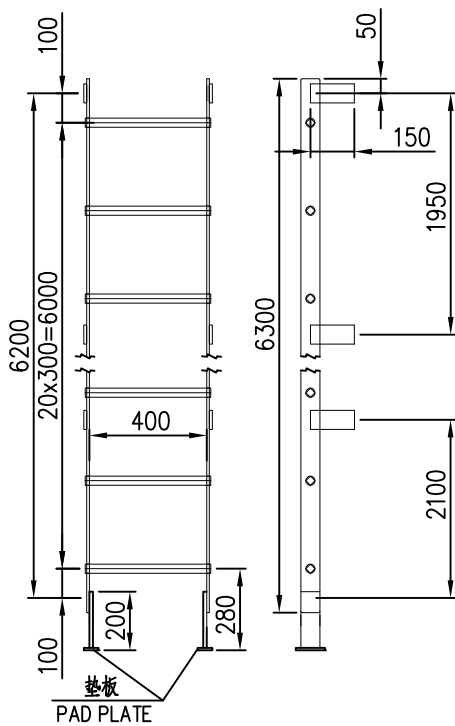
② ITEM 2
件号 2
1:25



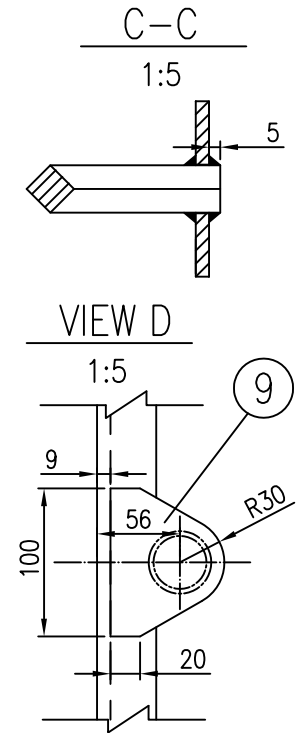
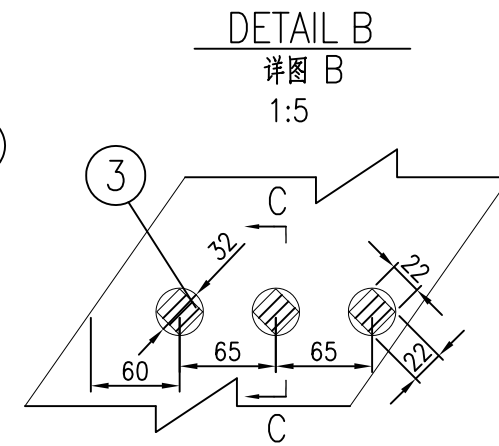
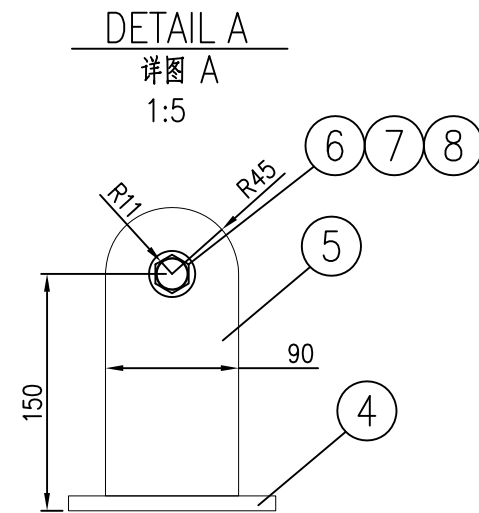
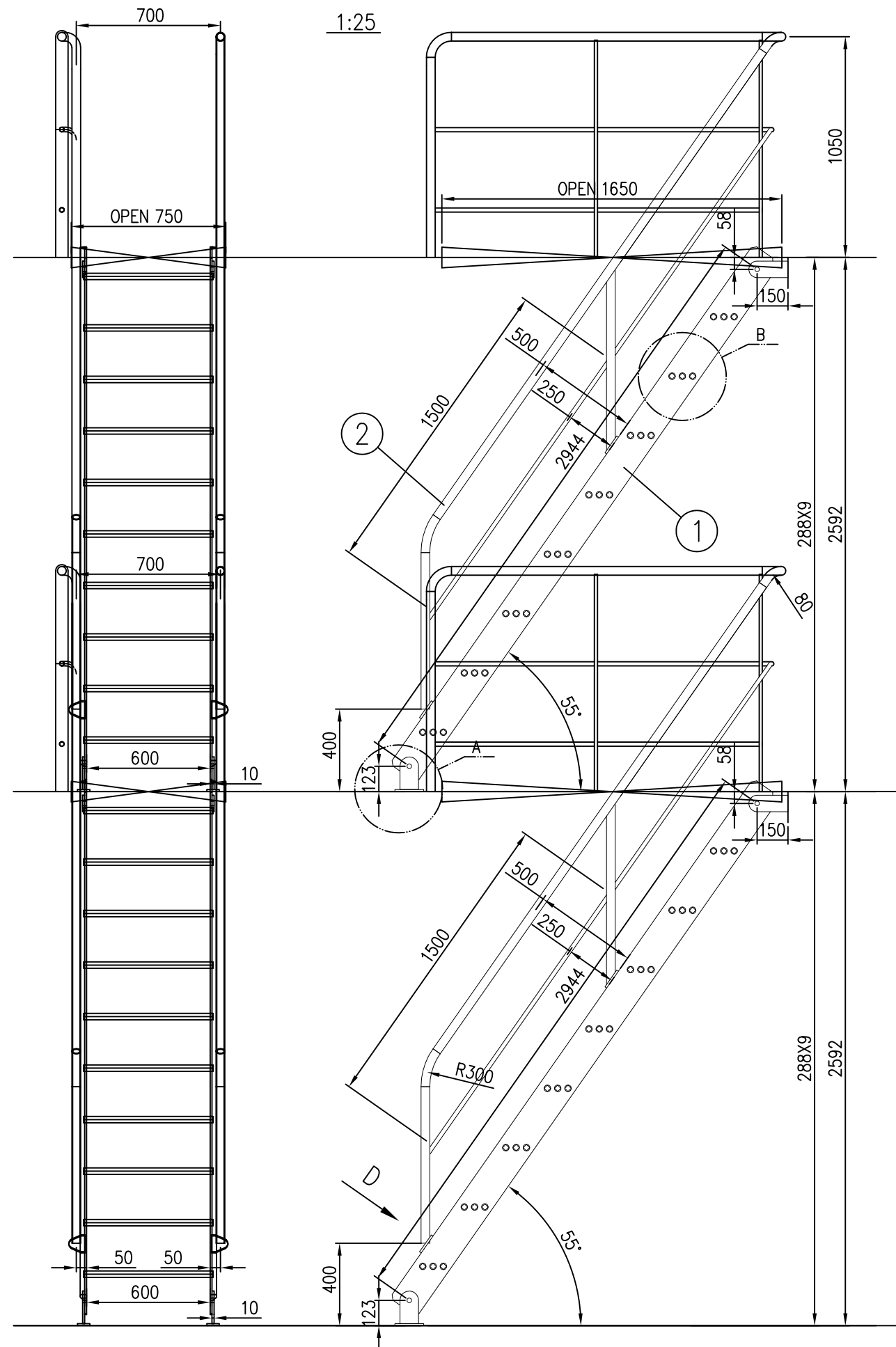
⑥ ITEM 6
件号 6
1:25



③ ITEM 3
件号 3
1:25



⑤ ITEM 5
件号 5
1:25



NOTE:

THE MAT. QTY. IS 1 OF INC. LADDERS' IN DRAWING

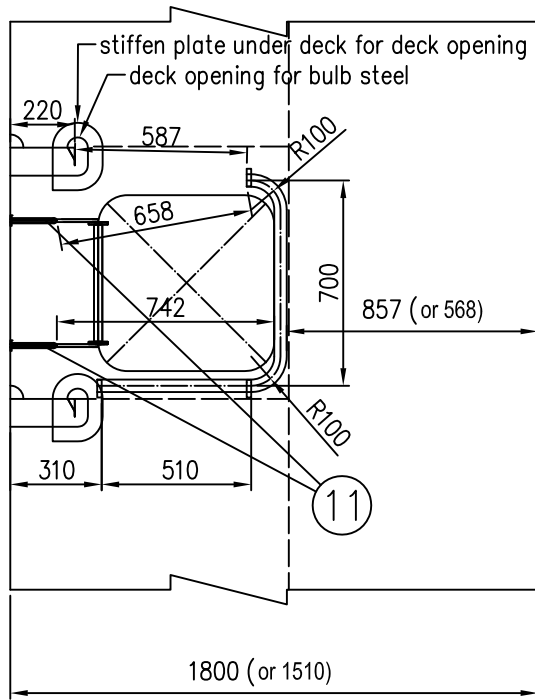
注:

本图材料表表示 1 部斜梯的材料。

ITEM NO. 序号	MARK 代号	NAME & SPEC 名称及规格	QTY. 数量	MATERIAL 材料	SIN. 每件 重量(kg)	TOT. 单件 重量(kg)	REMARKS 附注
9		垫板 PLATE		Q235-A			
8		垫圈 WASHER		Q235-A			
7		螺母 NUT		Q235-A			
6		螺栓 BOLT		Q235-A			
5		耳板 PLATE		Q235-A			
4		垫板 140X60X10 PLATE		Q235-A			
3		方钢踏步 □ 22 STEP BAR	19m	Q235-A	3.8 kg/m	72.2	
2		扶手 ∅42.25x4 HAND RAIL	18m	Q235-A	3.77 kg/m	67.86	
1		梯架 ∟ 180X40X9 LADDER FRAME	6.16m	Q235-A	17.43 kg/m	107.4	

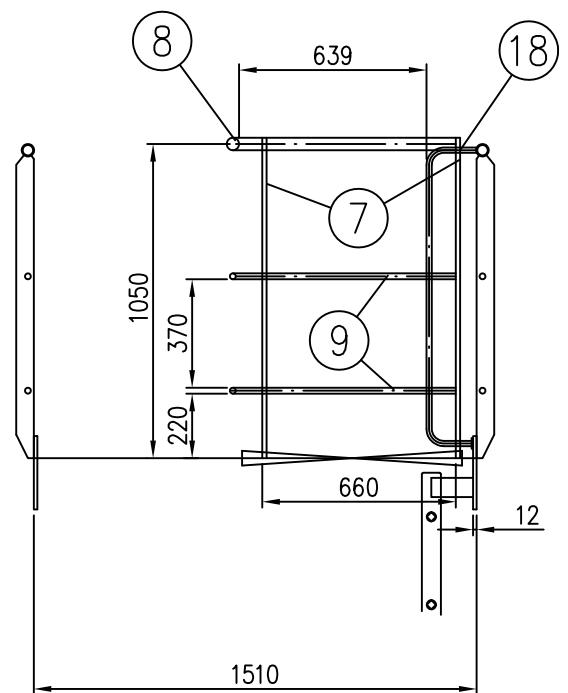
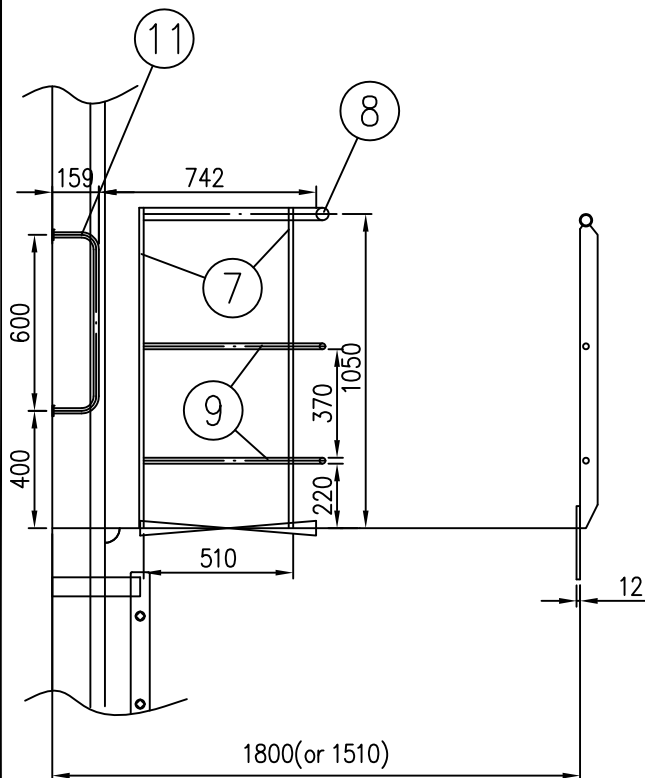
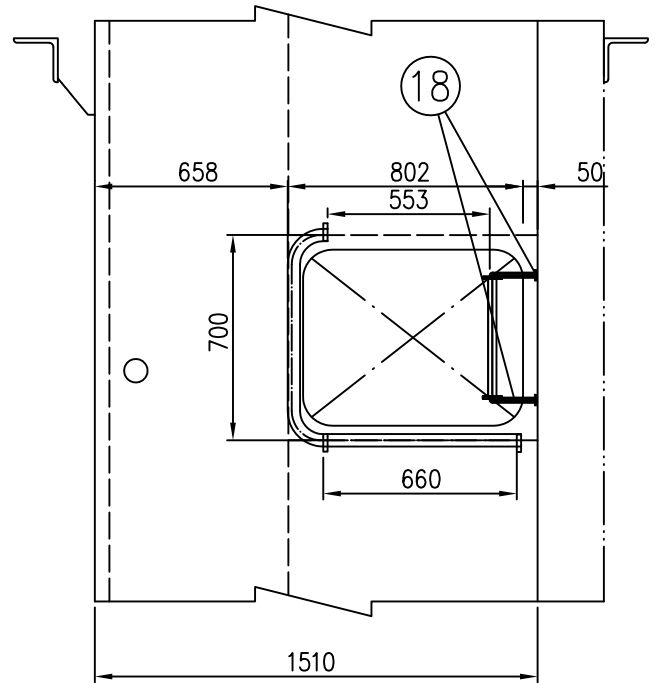
DETAIL A

详图 A
1:25

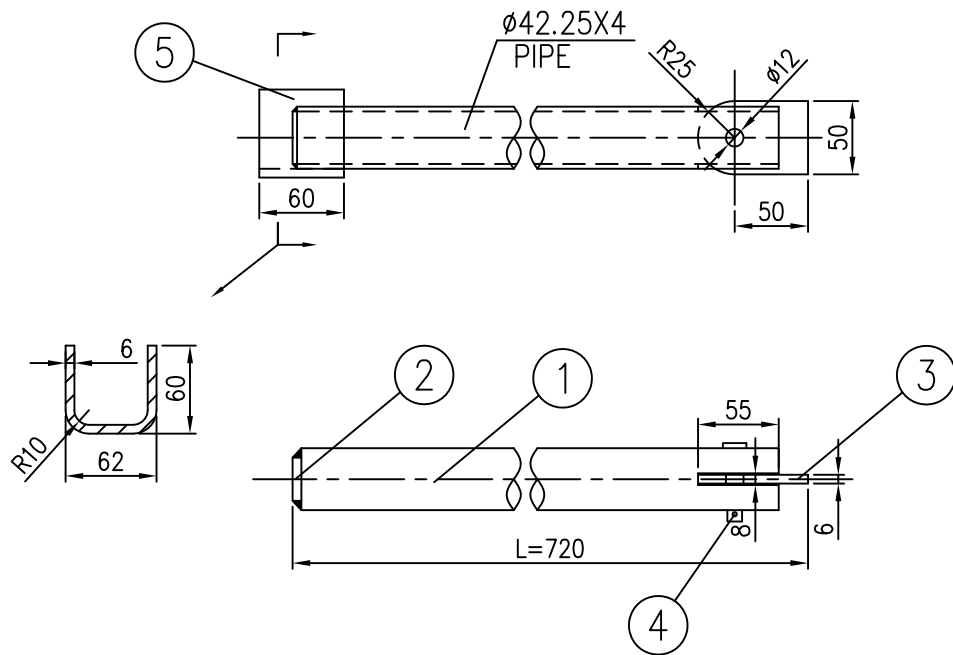


DETAIL A-1

详图 A-1
1:25



10 ITEM 10
 件号 10
 1:5

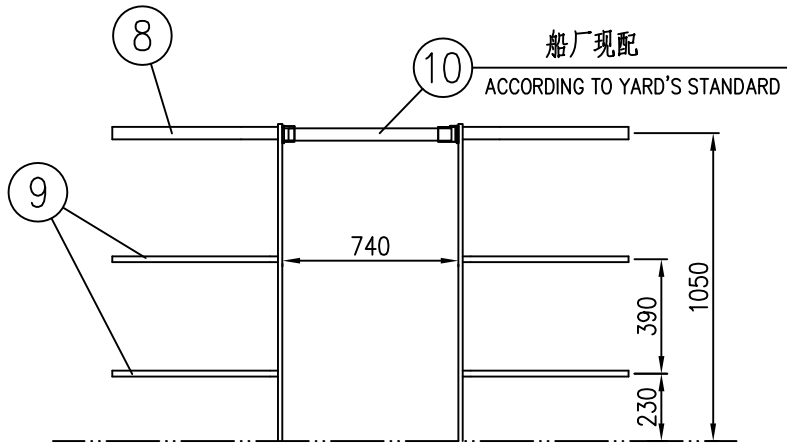


5		槽槽	1	Q235-A	0.2	0.2	
		SLOT PLATE					
4	B 10X65 GB 882-76	销轴	1	Q235-A	0.1	0.1	
		DOWEL					
3		眼板	1	Q235-A	0.15	0.15	
		EYE PLATE					
2		封板 $\phi 40 \times 4$	2	Q235-A	0.05	0.1	
		CLOSE PLATE					
1		扶手 $\phi 42.25 \times 4$	0.58m	Q235-A	3.77 kg/m	2.2	
		HAND RAIL					
ITEM NO. 序号	MARK 代号	NAME & SPEC 名称及规格	QTY. 数量	MATERIAL 材 料	SIN. 每件	TOT. 单件	REMARKS 附注
					WEIGHT(KG) 重量(kg)		

DETAIL A

详图 A

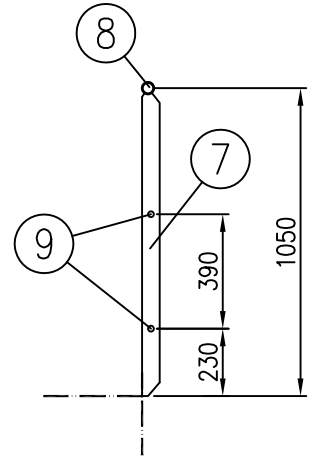
1:25



DETAIL C

详图 C

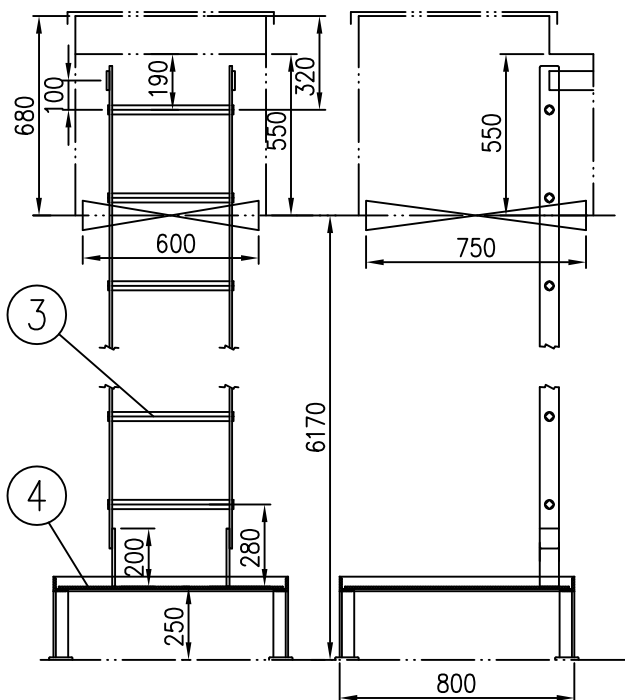
1:25



DETAIL B

详图 B

1:25

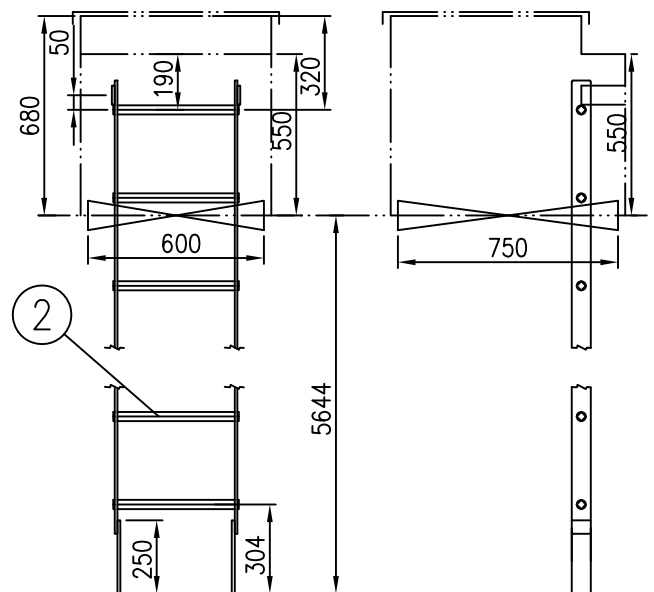


DETAIL B-1

详图 B-1

1:25

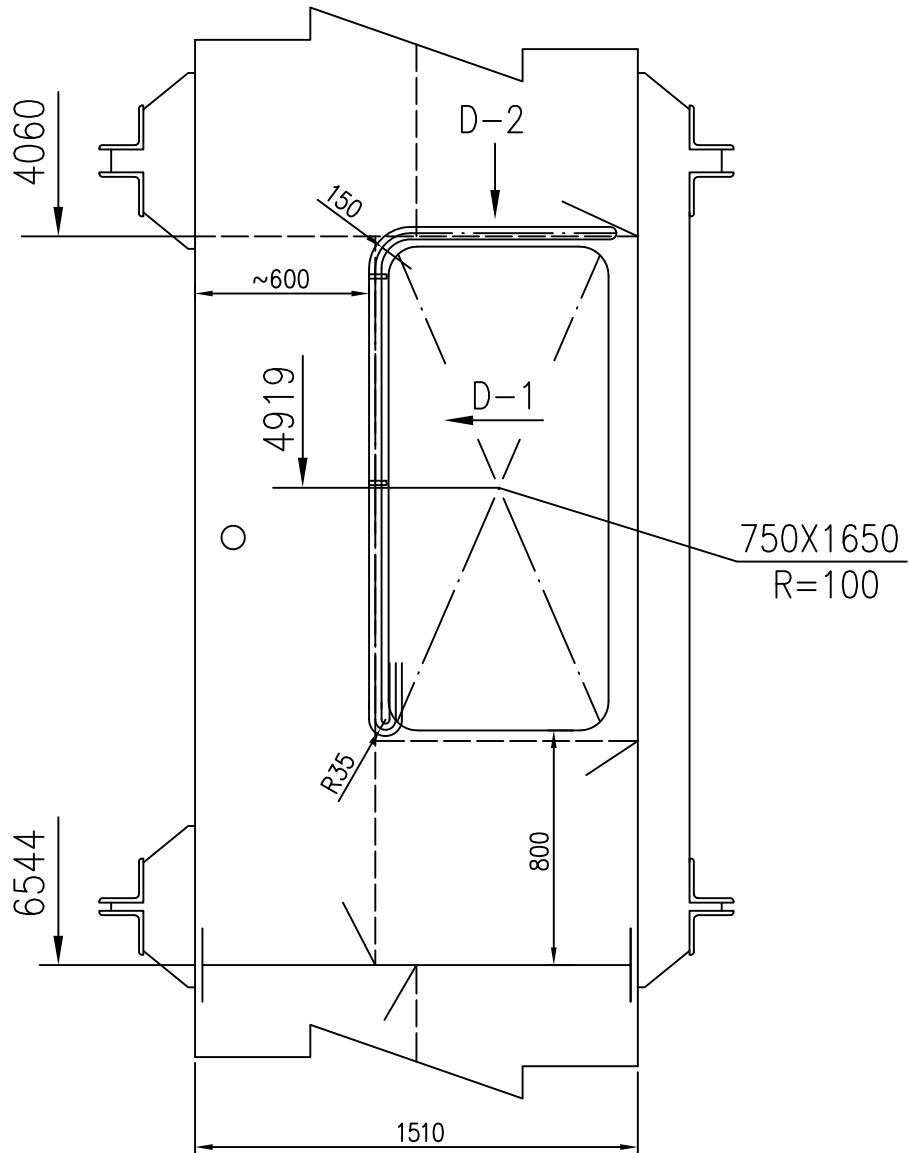
FOR FR21,FR25



DETAIL D

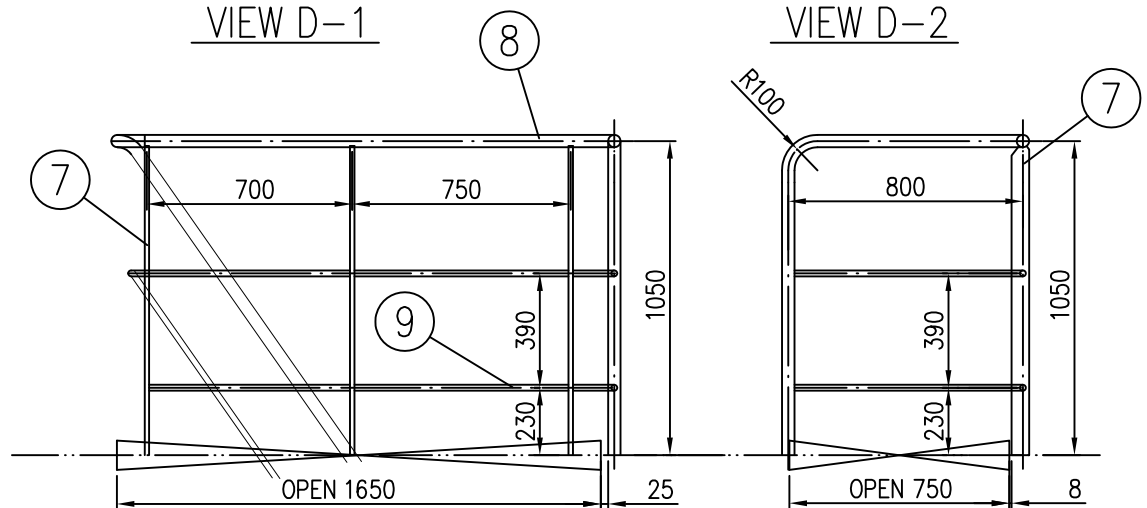
详图 D

1:25



VIEW D-1

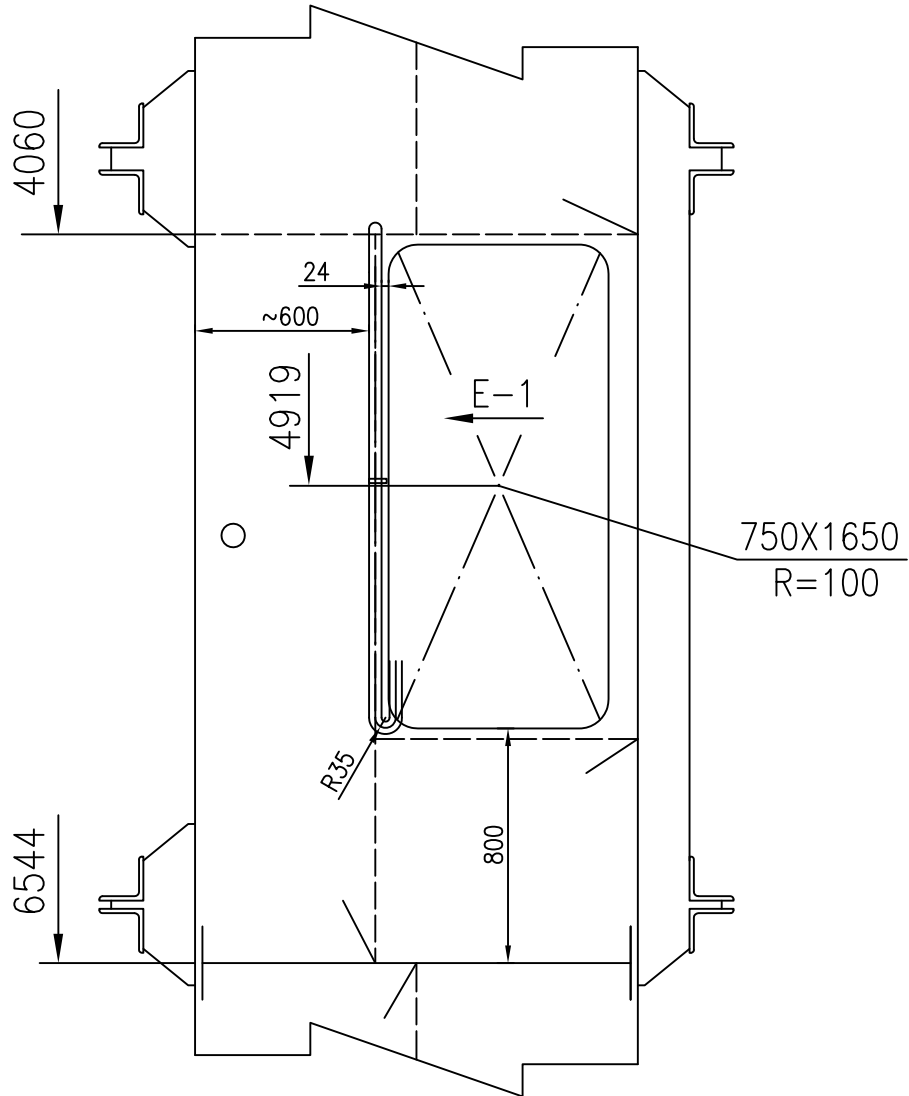
VIEW D-2



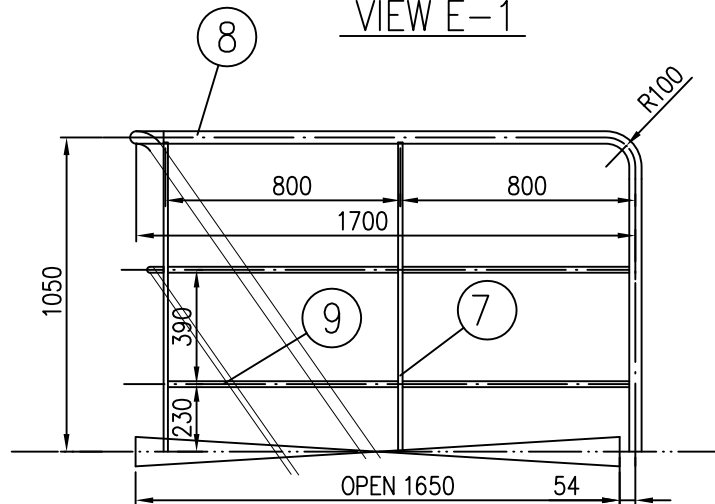
DETAIL E

详图 E

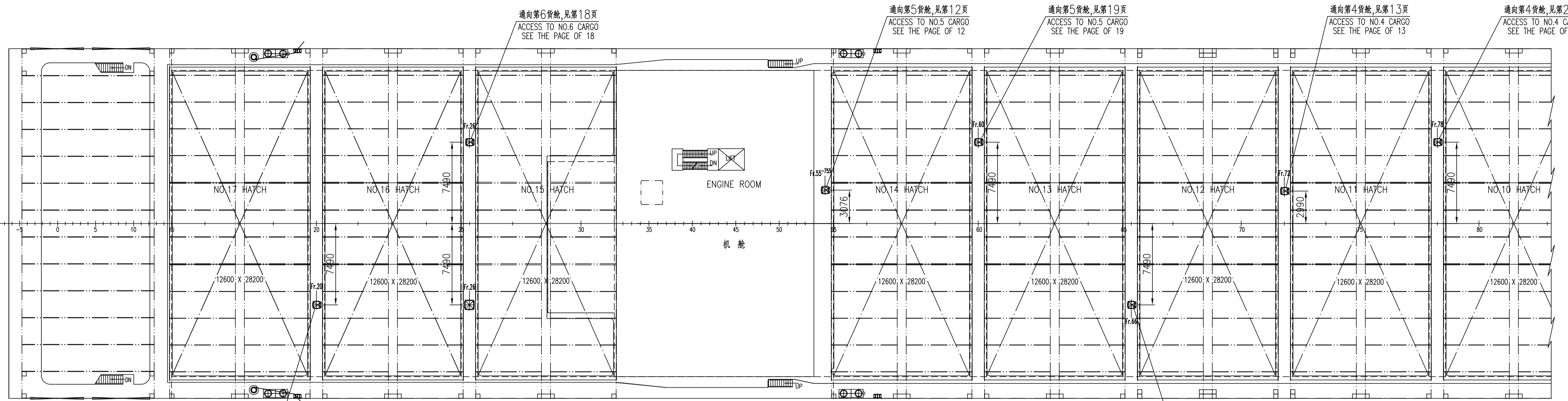
1:25



VIEW E-1



1:200



通向第6货舱, 见第18页
ACCESS TO NO.6 CARGO
SEE THE PAGE OF 18

通向第5货舱, 见第12页
ACCESS TO NO.5 CARGO
SEE THE PAGE OF 12

通向第5货舱, 见第19页
ACCESS TO NO.5 CARGO
SEE THE PAGE OF 19

通向第4货舱, 见第13页
ACCESS TO NO.4 CARGO
SEE THE PAGE OF 13

通向第4货舱, 见第21页
ACCESS TO NO.4 CARGO
SEE THE PAGE OF 21

通向第6货舱, 见第17页
ACCESS TO NO.6 CARGO
SEE THE PAGE OF 17

通向第5货舱, 见第20页
ACCESS TO NO.5 CARGO
SEE THE PAGE OF 20

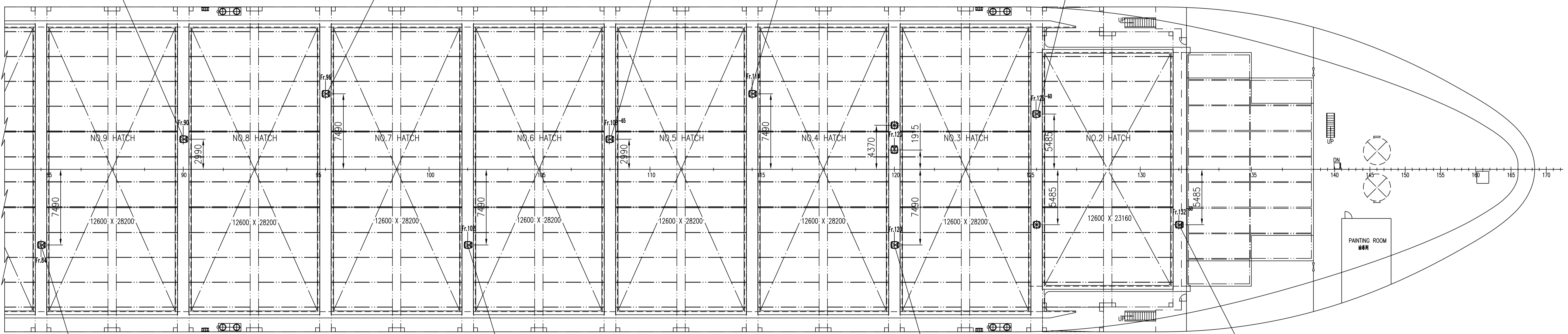
通向第3货舱, 见第14页
ACCESS TO NO.3 CARGO
SEE THE PAGE OF 14

通向第3货舱, 见第23页
ACCESS TO NO.3 CARGO
SEE THE PAGE OF 23

通向第2货舱, 见第15页
ACCESS TO NO.2 CARGO
SEE THE PAGE OF 15

通向第2货舱, 见第25页
ACCESS TO NO.2 CARGO
SEE THE PAGE OF 25

通向第1货舱, 见第16页
ACCESS TO NO.1 CARGO
SEE THE PAGE OF 16

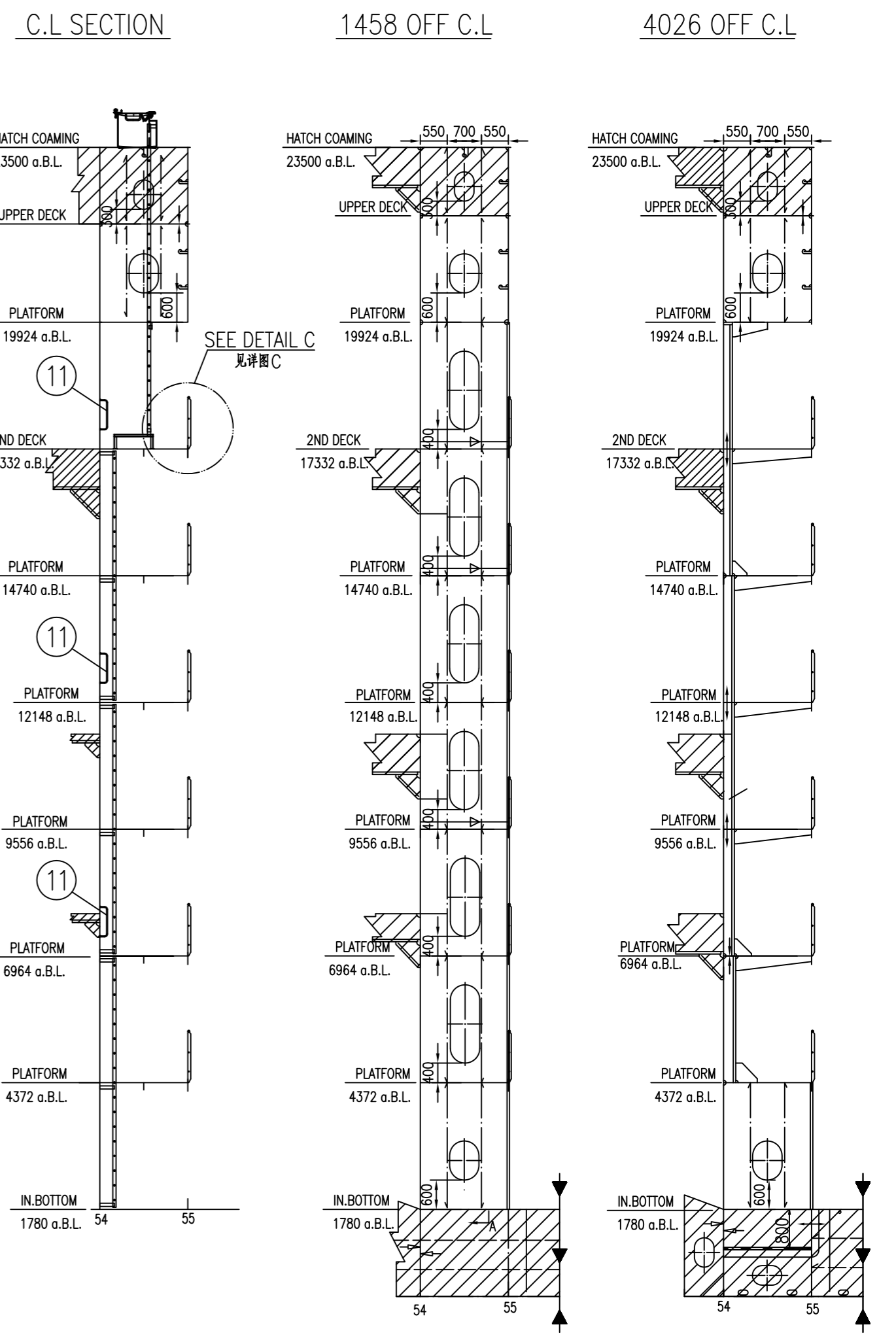
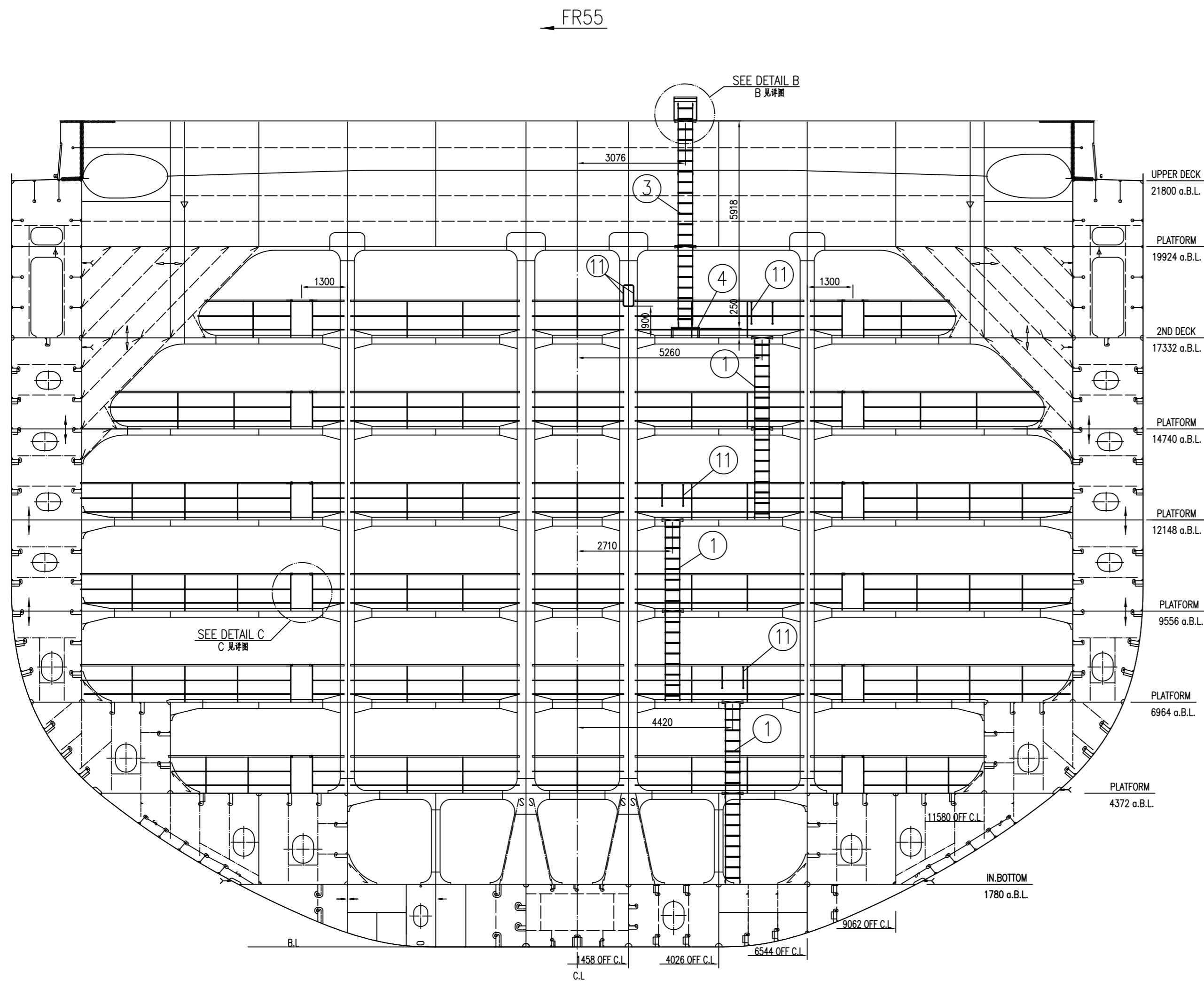


通向第4货舱, 见第22页
ACCESS TO NO.4 CARGO
SEE THE PAGE OF 22

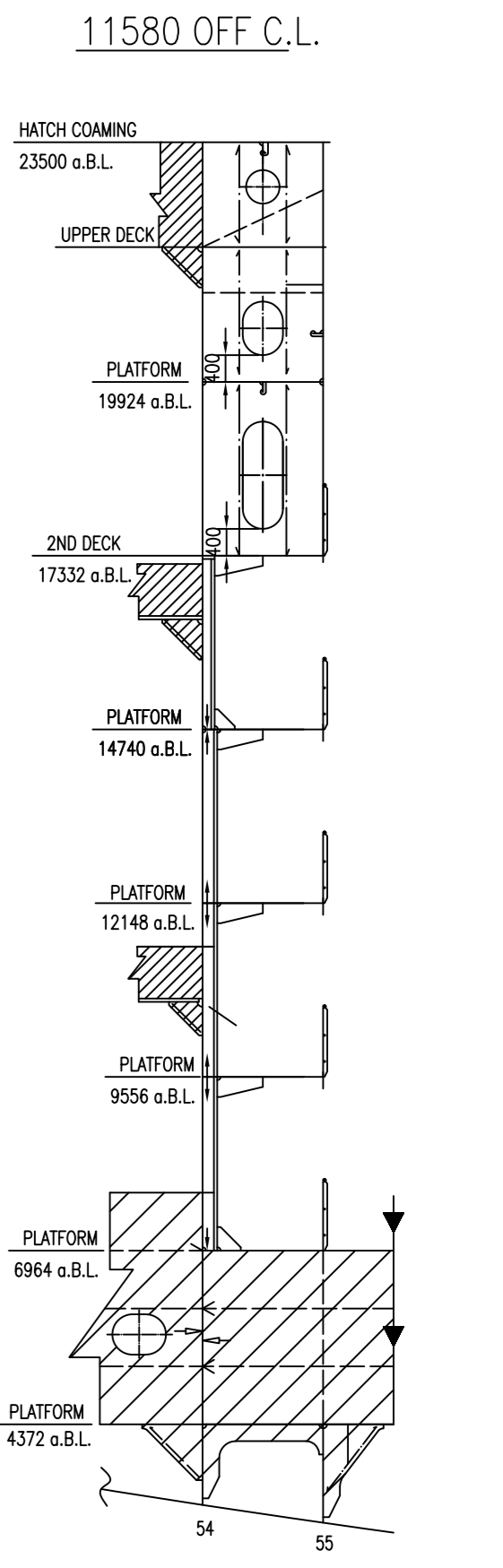
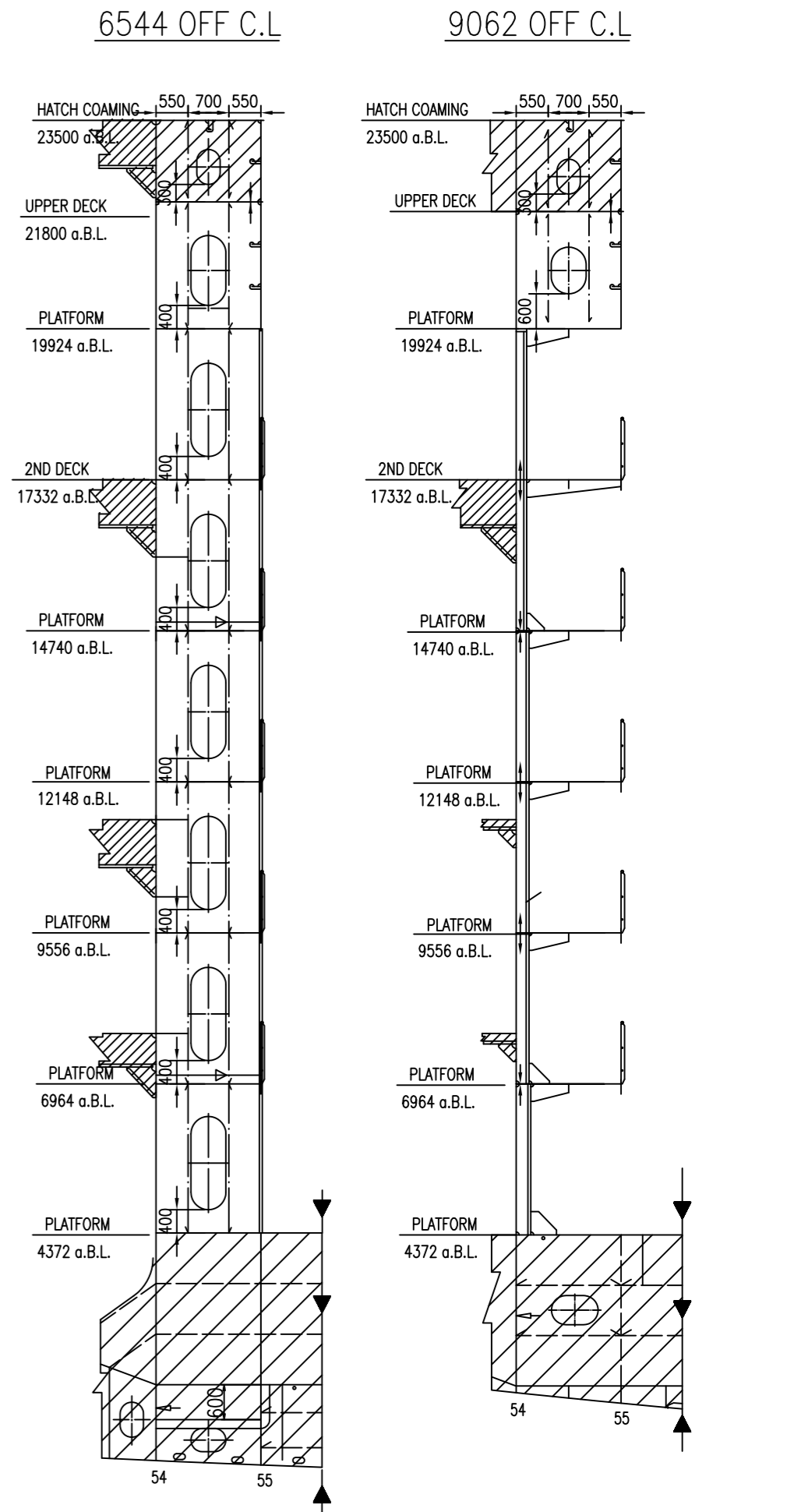
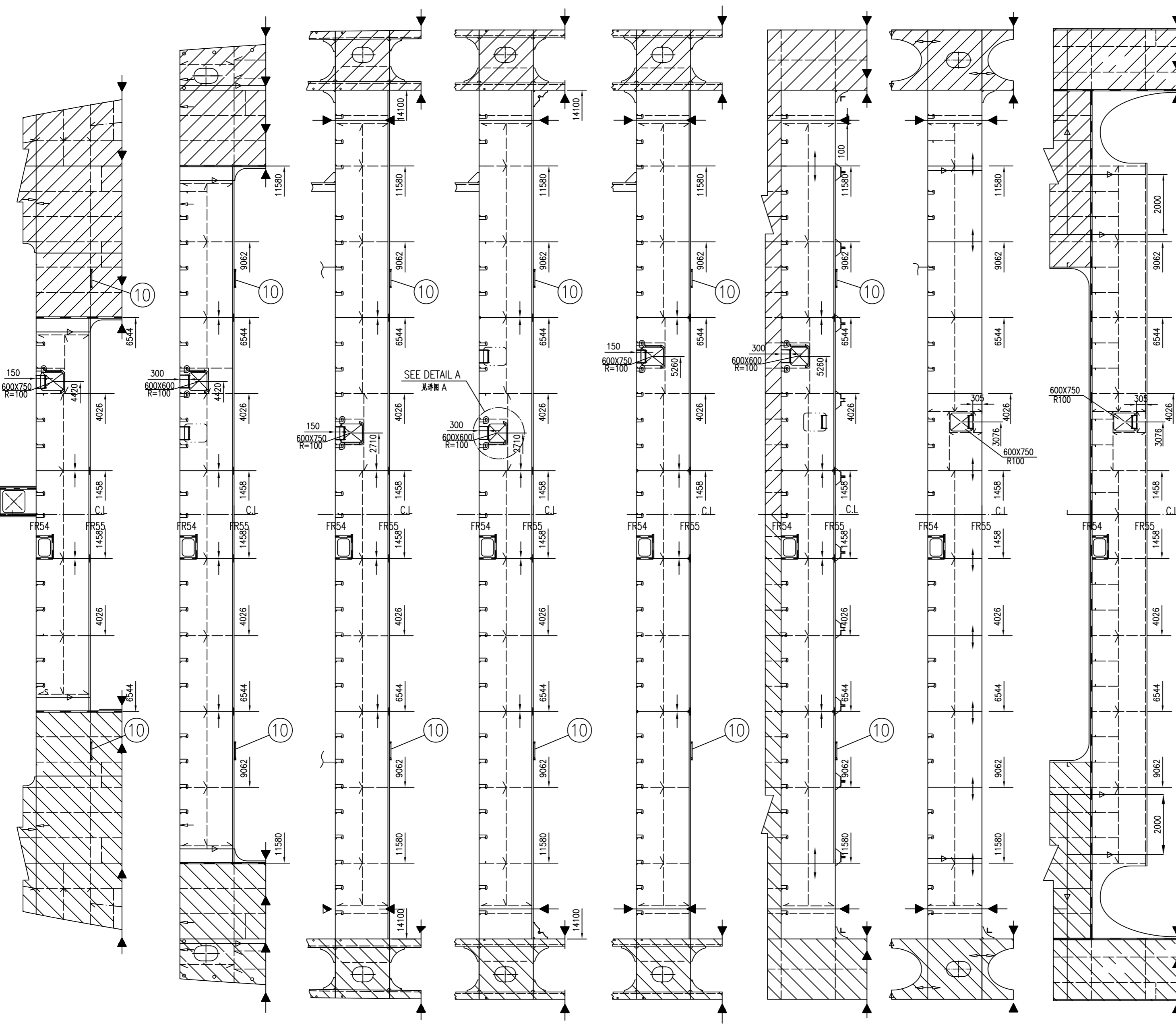
通向第3货舱, 见第24页
ACCESS TO NO.3 CARGO
SEE THE PAGE OF 24

通向第2货舱, 见第26页
ACCESS TO NO.2 CARGO
SEE THE PAGE OF 26

通向第1货舱, 见第27页
ACCESS TO NO.1 CARGO
SEE THE PAGE OF 27



4372 PLATFORM 6964 PLATFORM 9556 PLATFORM 12148 PLATFORM 14740 PLATFORM TWEEN DECK 17332 AB.L 19924 PLATFORM UPPER DECK

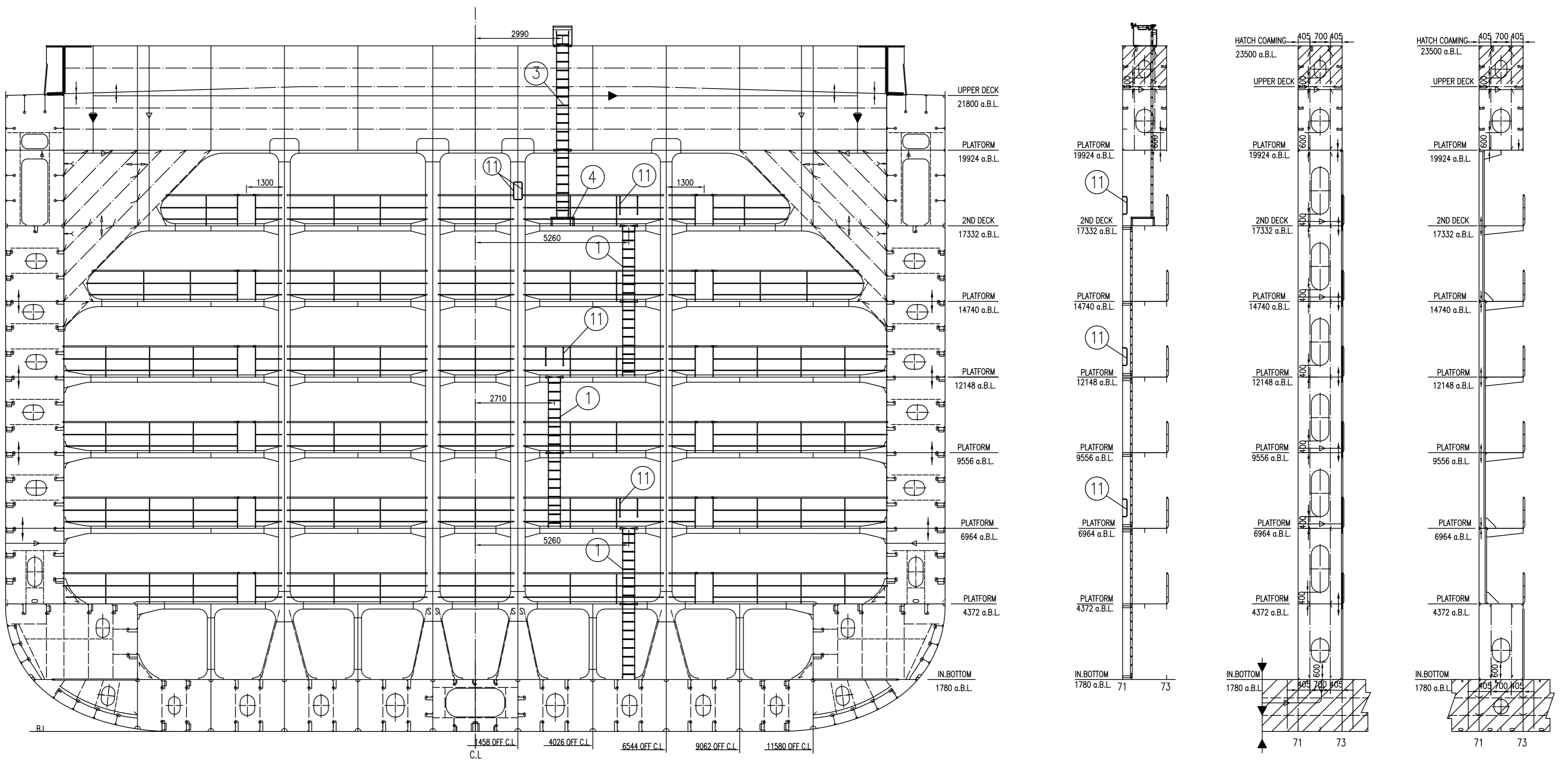


FR73

C.L SECTION

1458 OFF C.L.
6544 OFF C.L. SIMILAR

4026 OFF C.L.



4372 PLATFORM

6964 PLATFORM

9556 PLATFORM

12148 PLATFORM

14740 PLATFORM

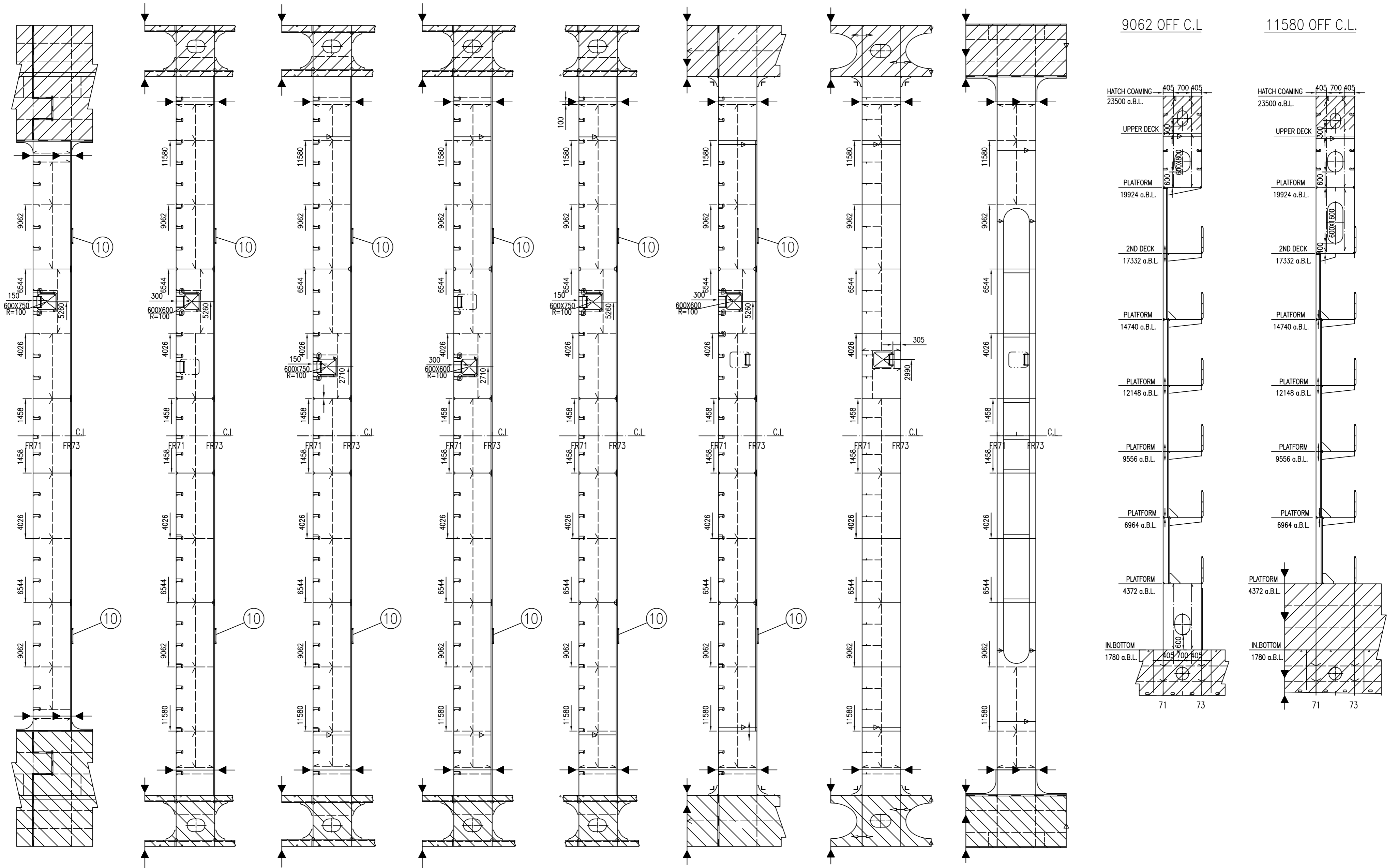
TWEEN DECK
17332 AB.L

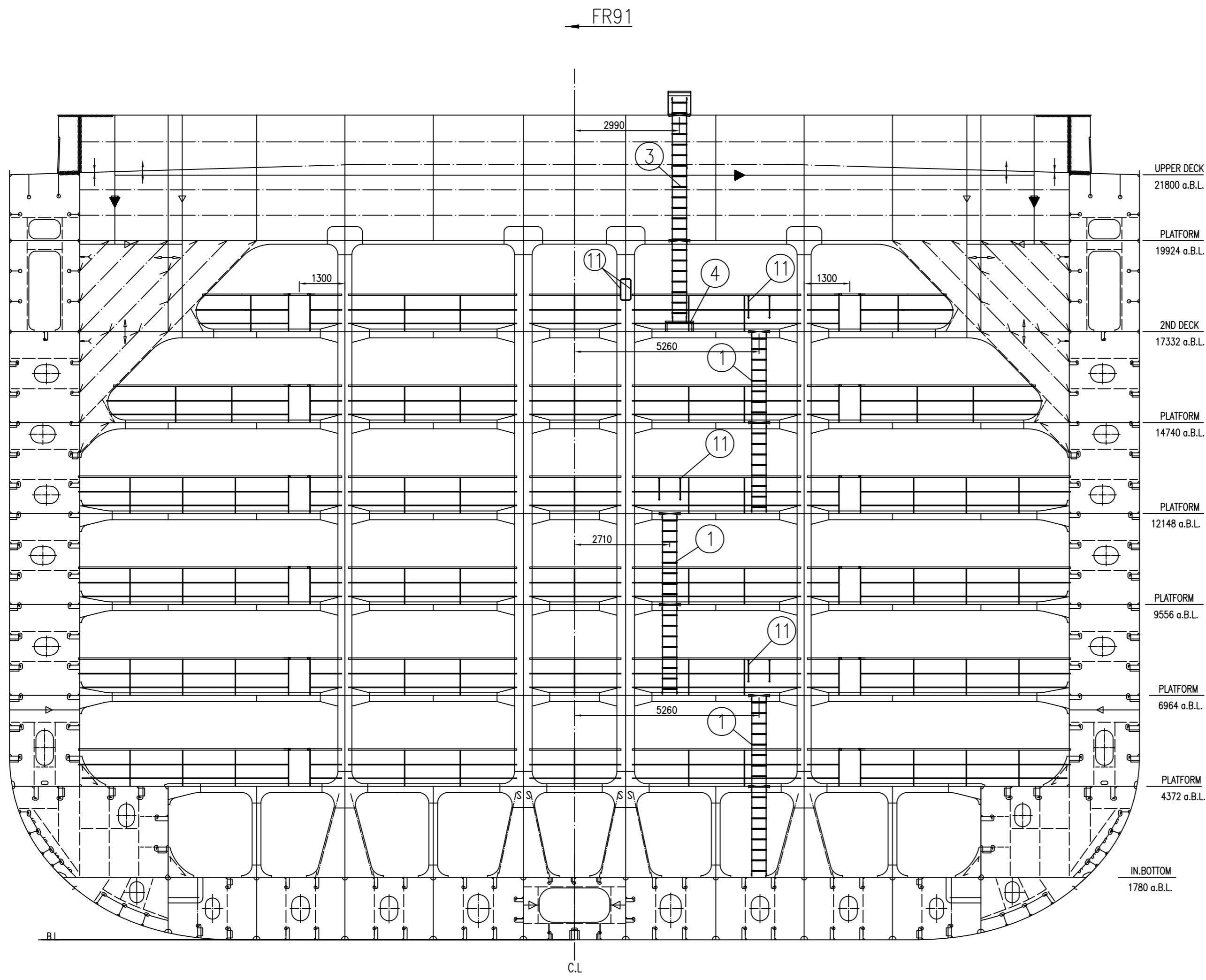
19924 PLATFORM

UPPER DECK

9062 OFF C.L.

11580 OFF C.L.

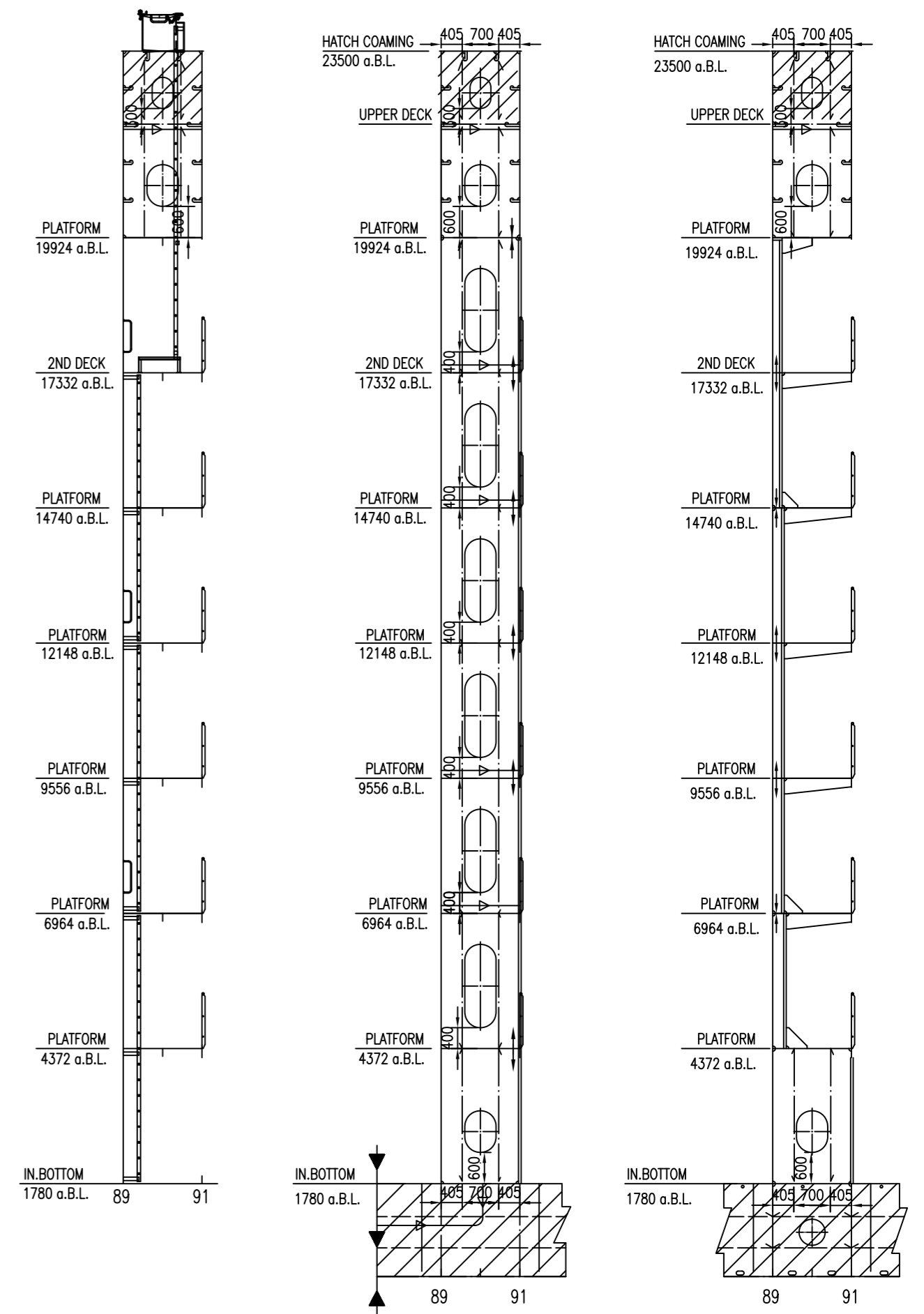




C.L SECTION

1458 OFF C.L.
6544 OFF C.L. SIMILAR

4026 OFF C.L.



4372 PLATFORM

6964 PLATFORM

9556 PLATFORM

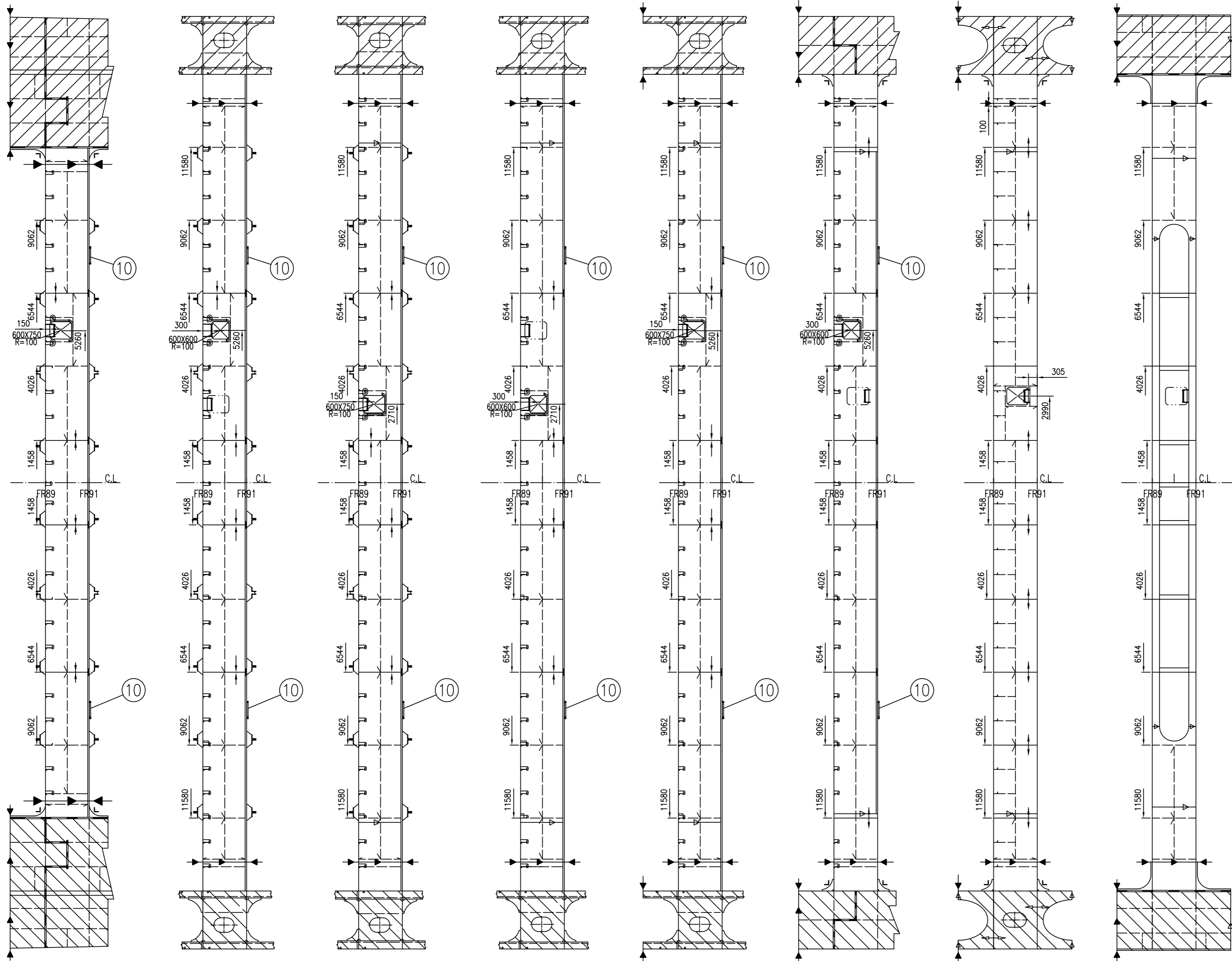
12148 PLATFORM

14740 PLATFORM

TWEEN DECK
17332 AB.L

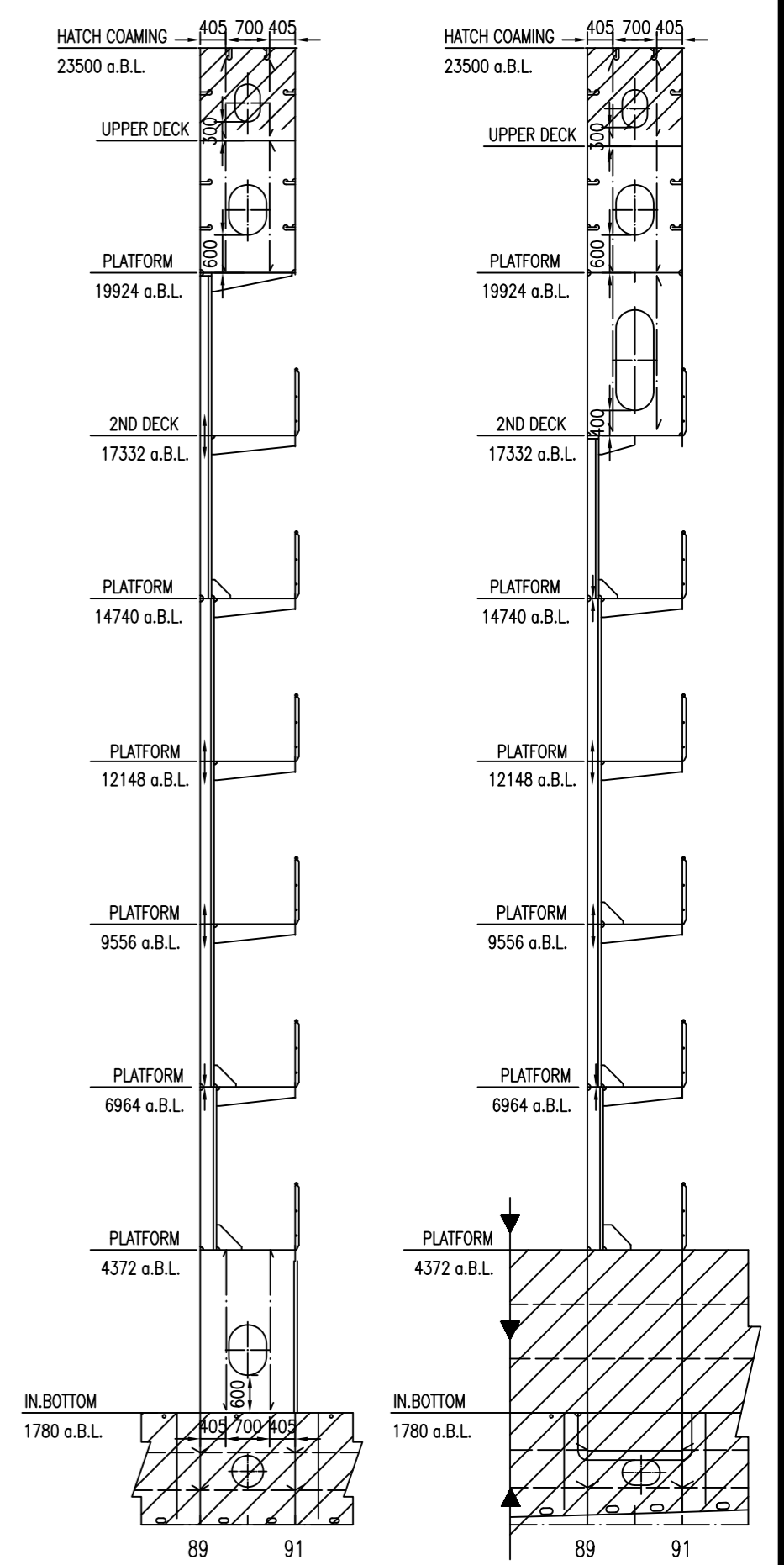
19924 PLATFORM

UPPER DECK



9062 OFF C.L.

11580 OFF C.L.

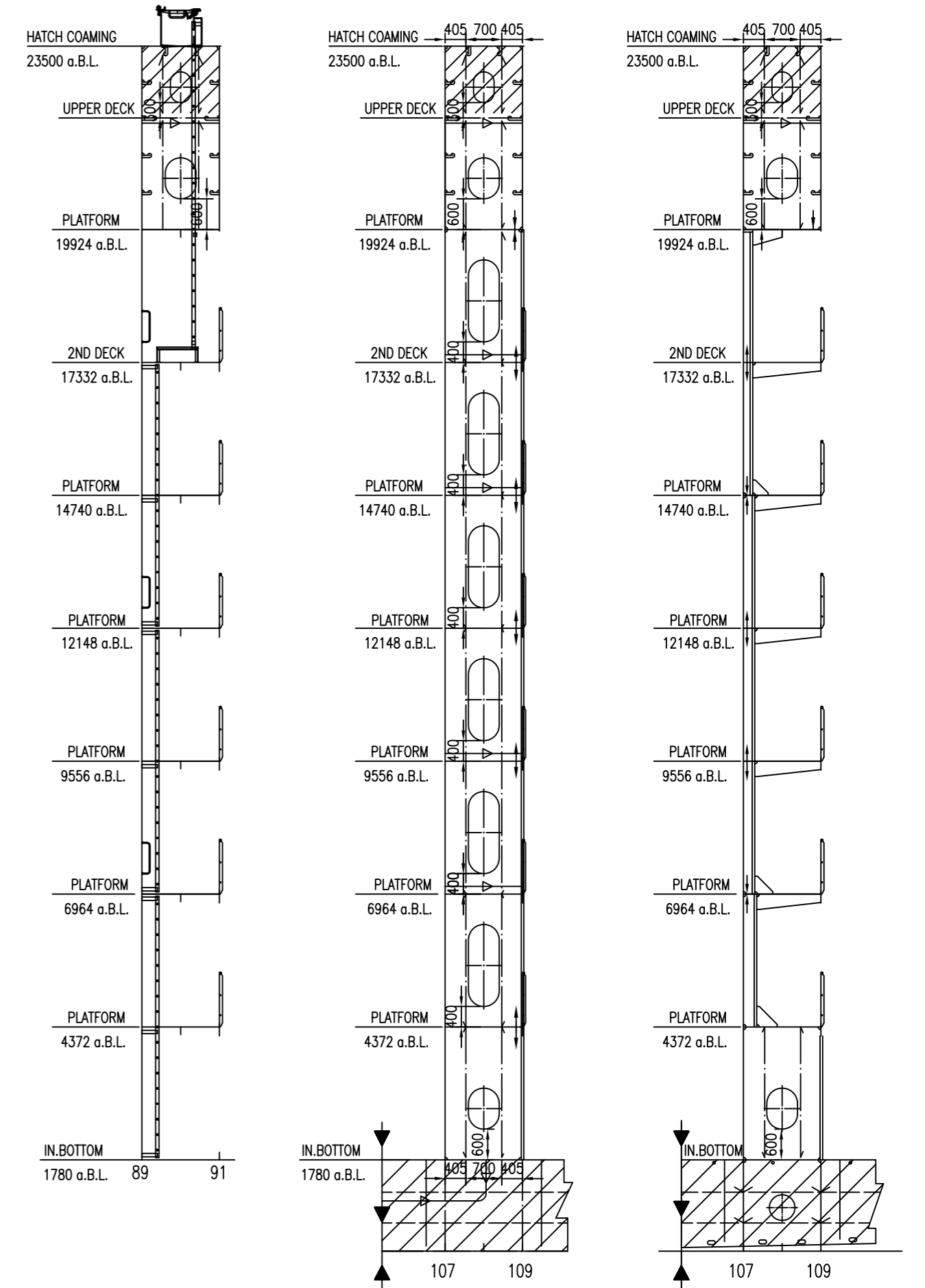
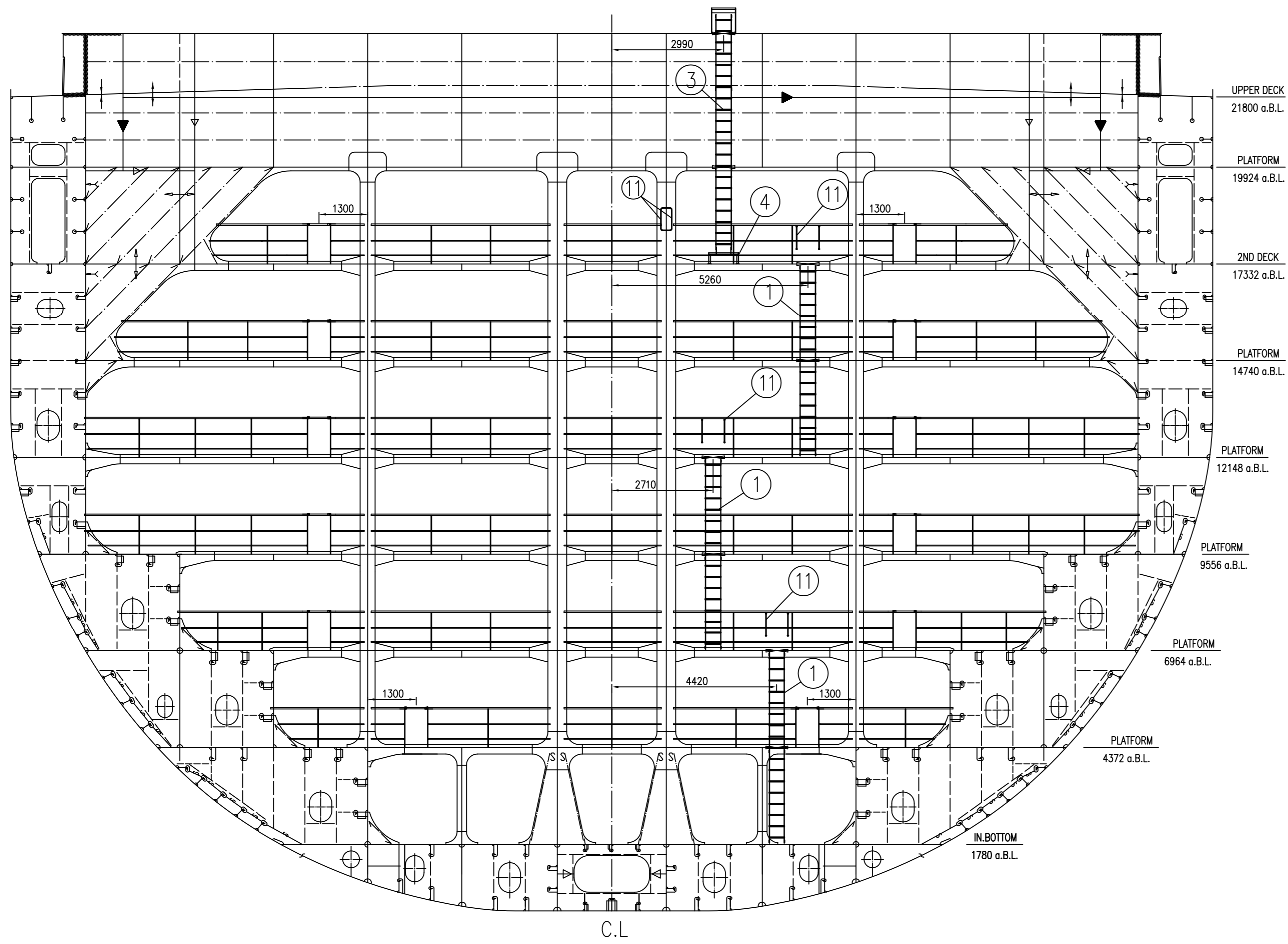


FR109

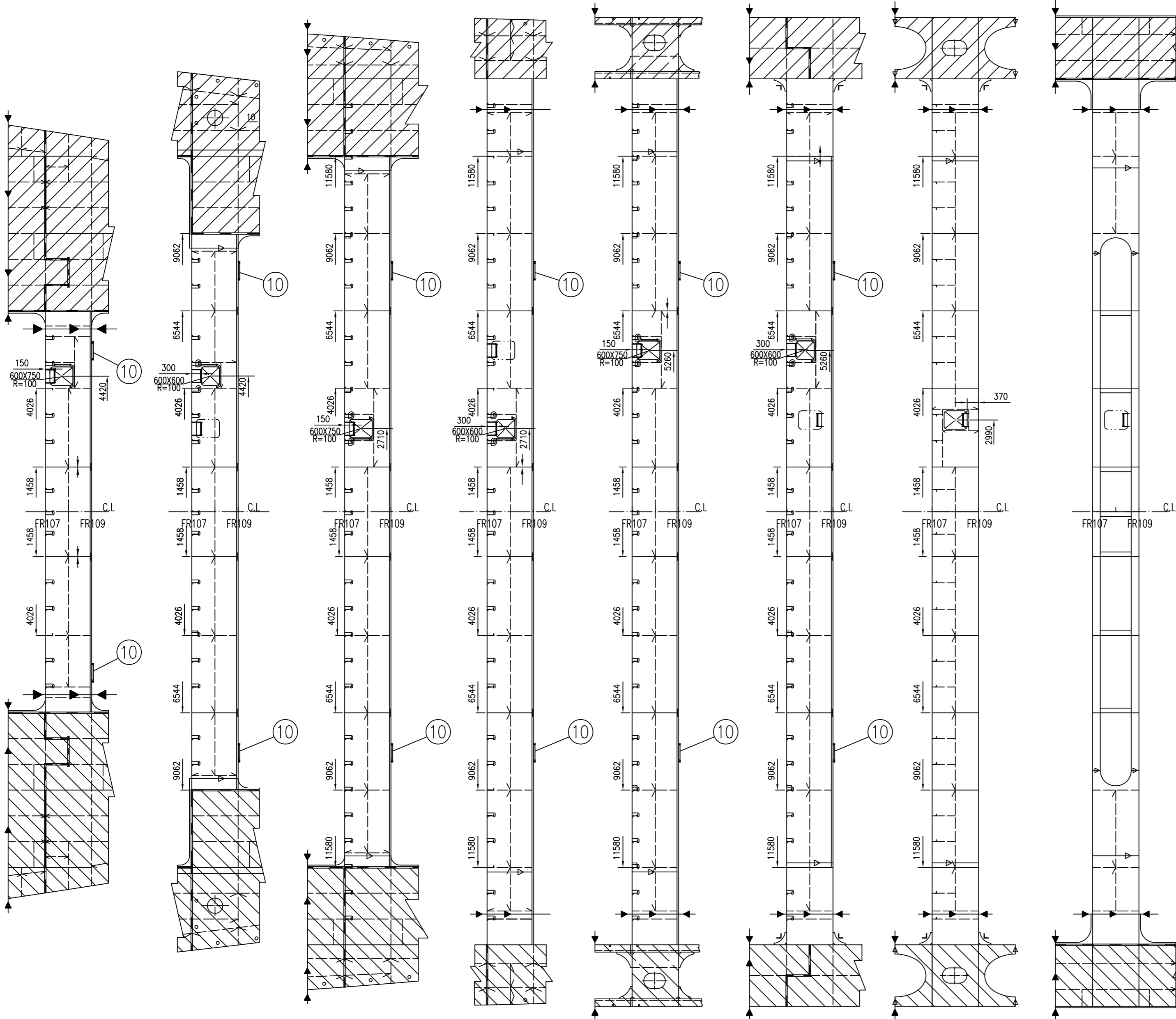
C.L SECTION

1458 OFF C.L

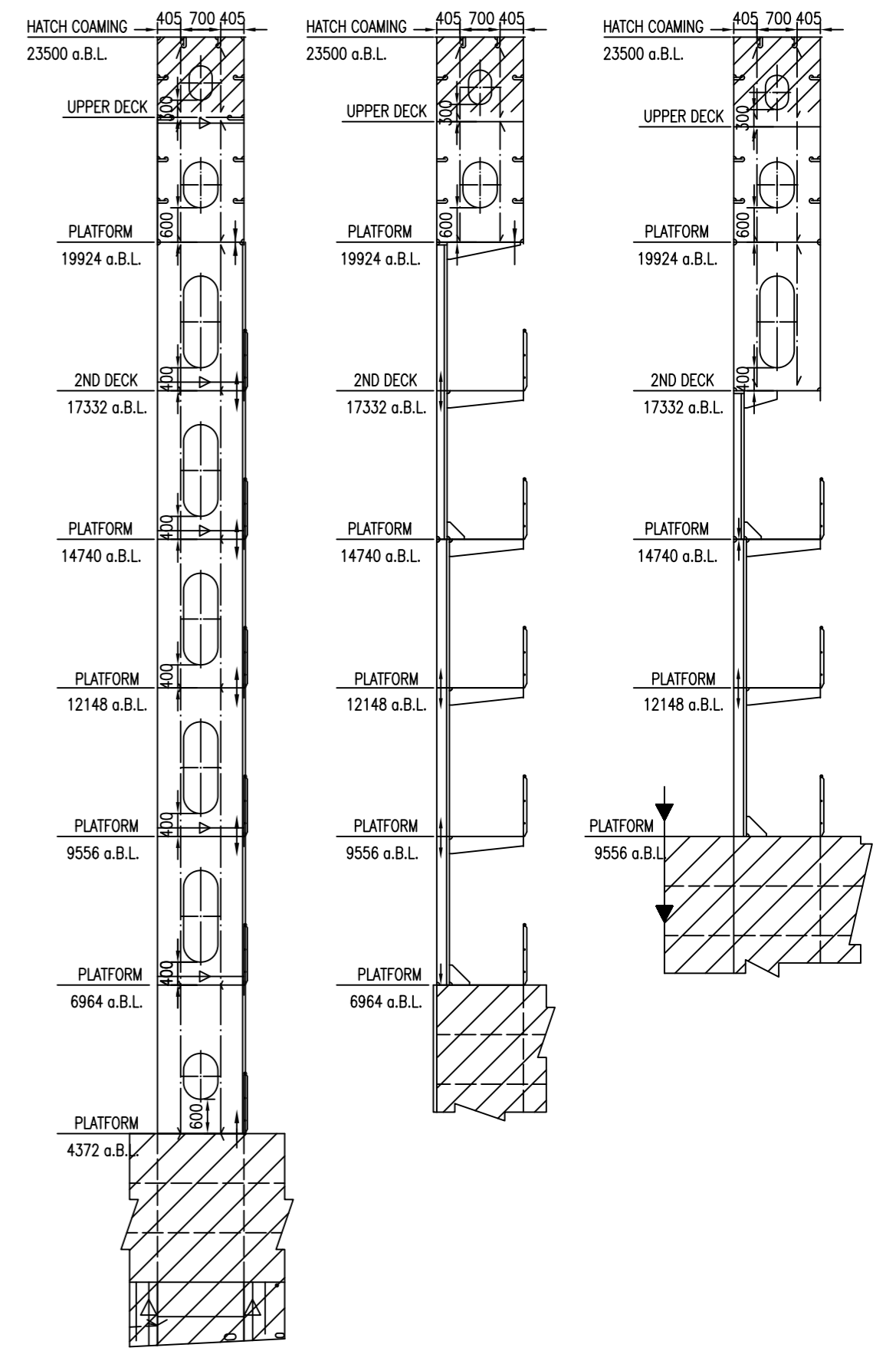
4026 OFF C.L

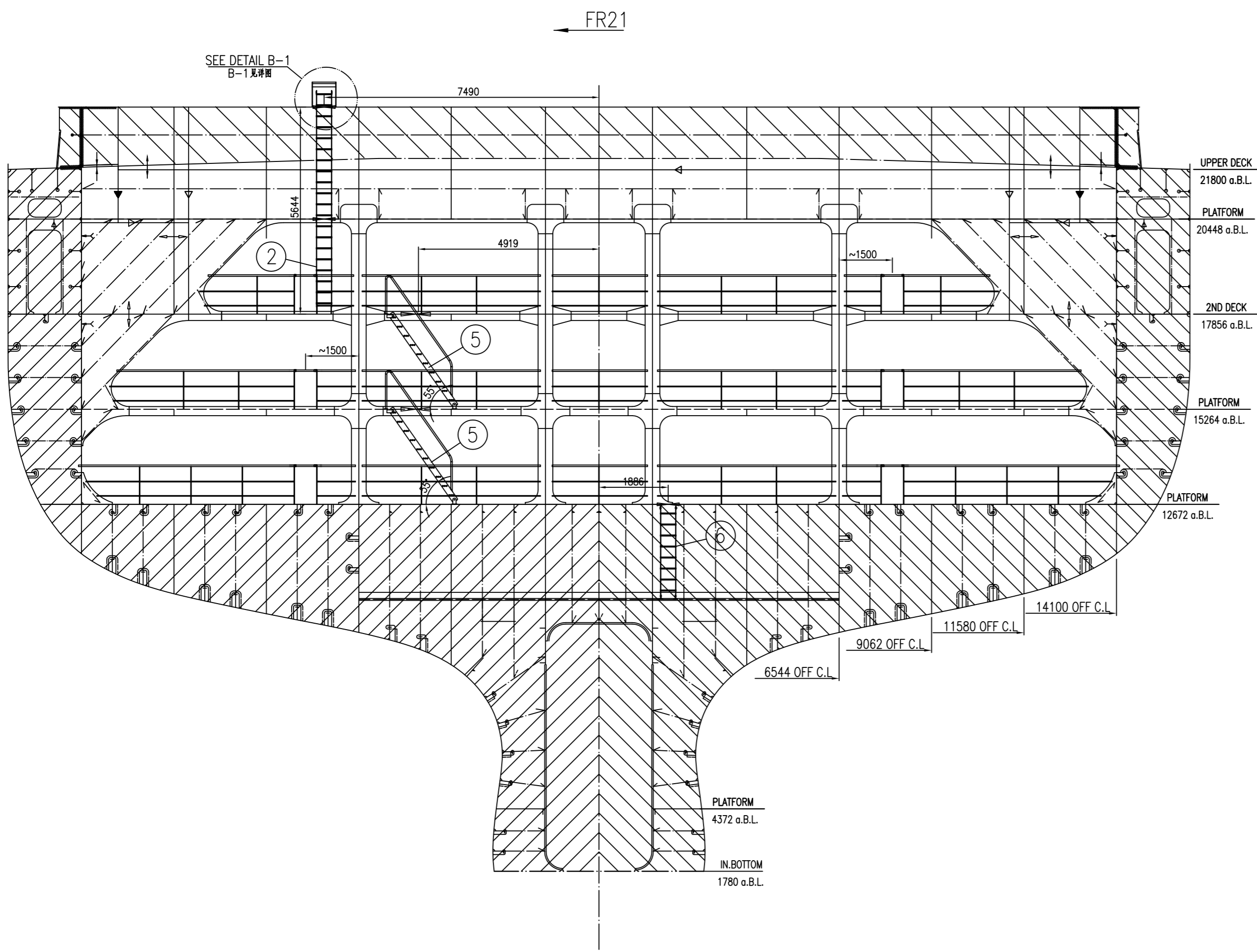


4372 PLATFORM 6964 PLATFORM 9556 PLATFORM 12148 PLATFORM 14740 PLATFORM TWEEN DECK 17332 AB.L 19924 PLATFORM UPPER DECK

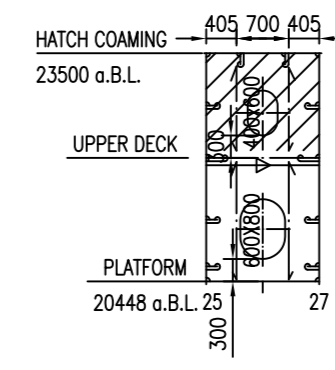


6544 OFF C.L 9062 OFF C.L 11580 OFF C.L

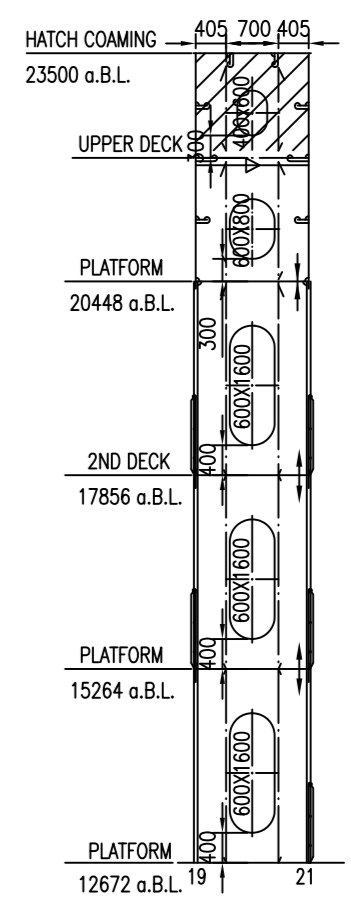




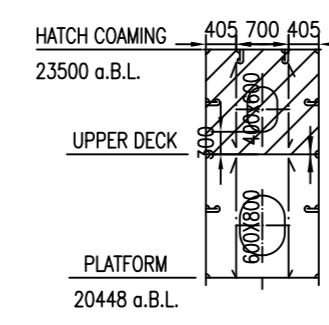
C.L SECTION
4026 OFF C.L. SIMILAR



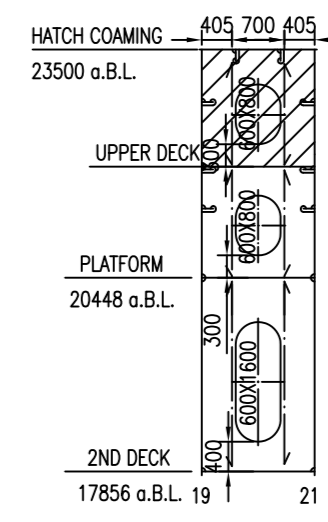
1458 OFF C.L.
6544 OFF C.L. SIMILAR



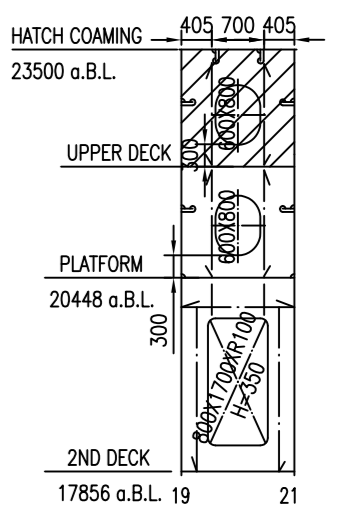
9062 OFF C.L.



11580 OFF C.L.PS



11580 OFF C.L.SB



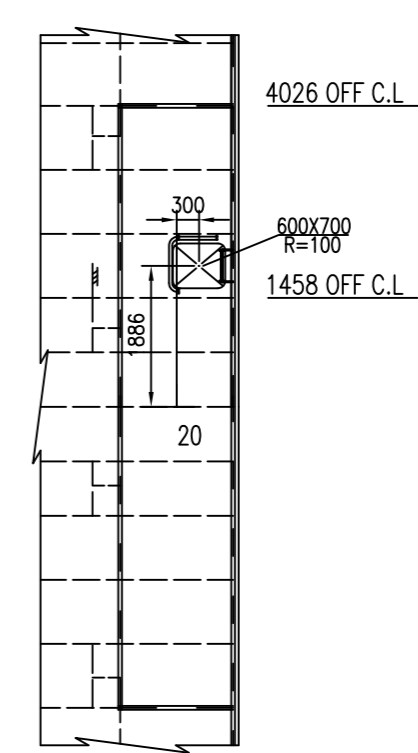
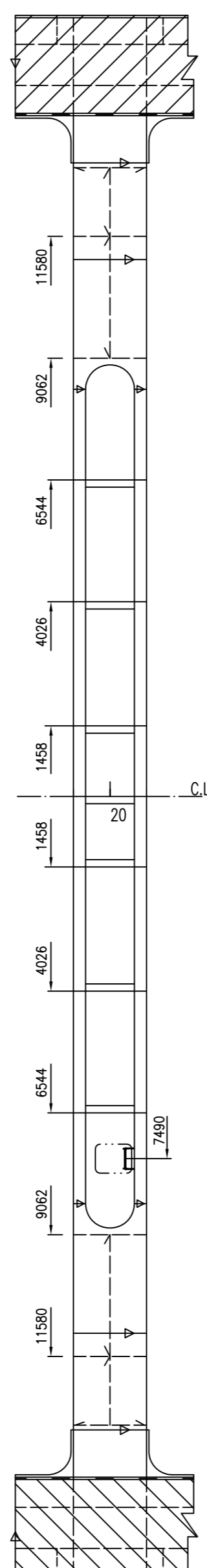
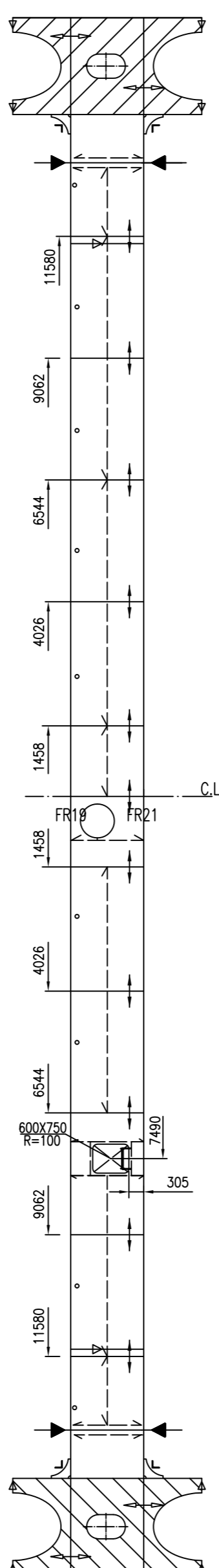
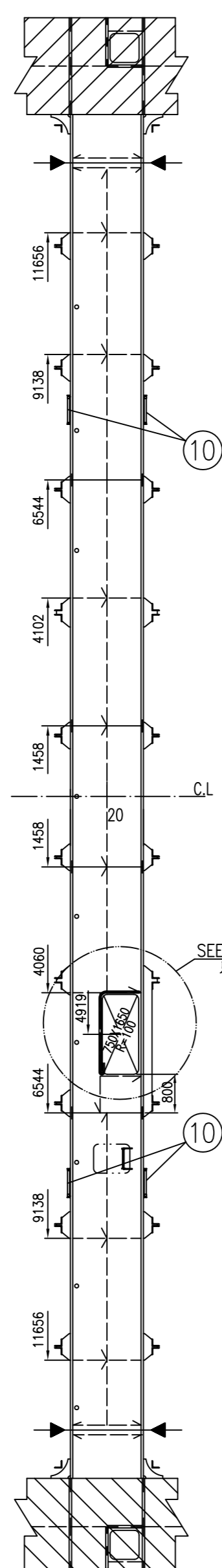
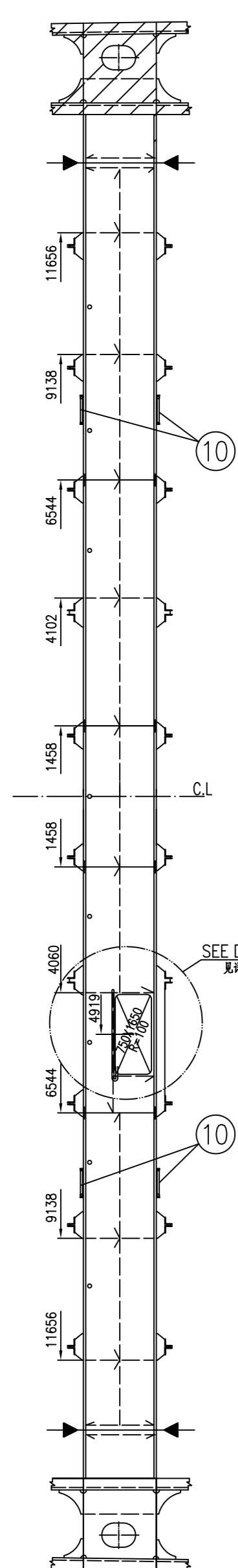
15264 PLATFORM

TWEEN DECK
17856 AB.L

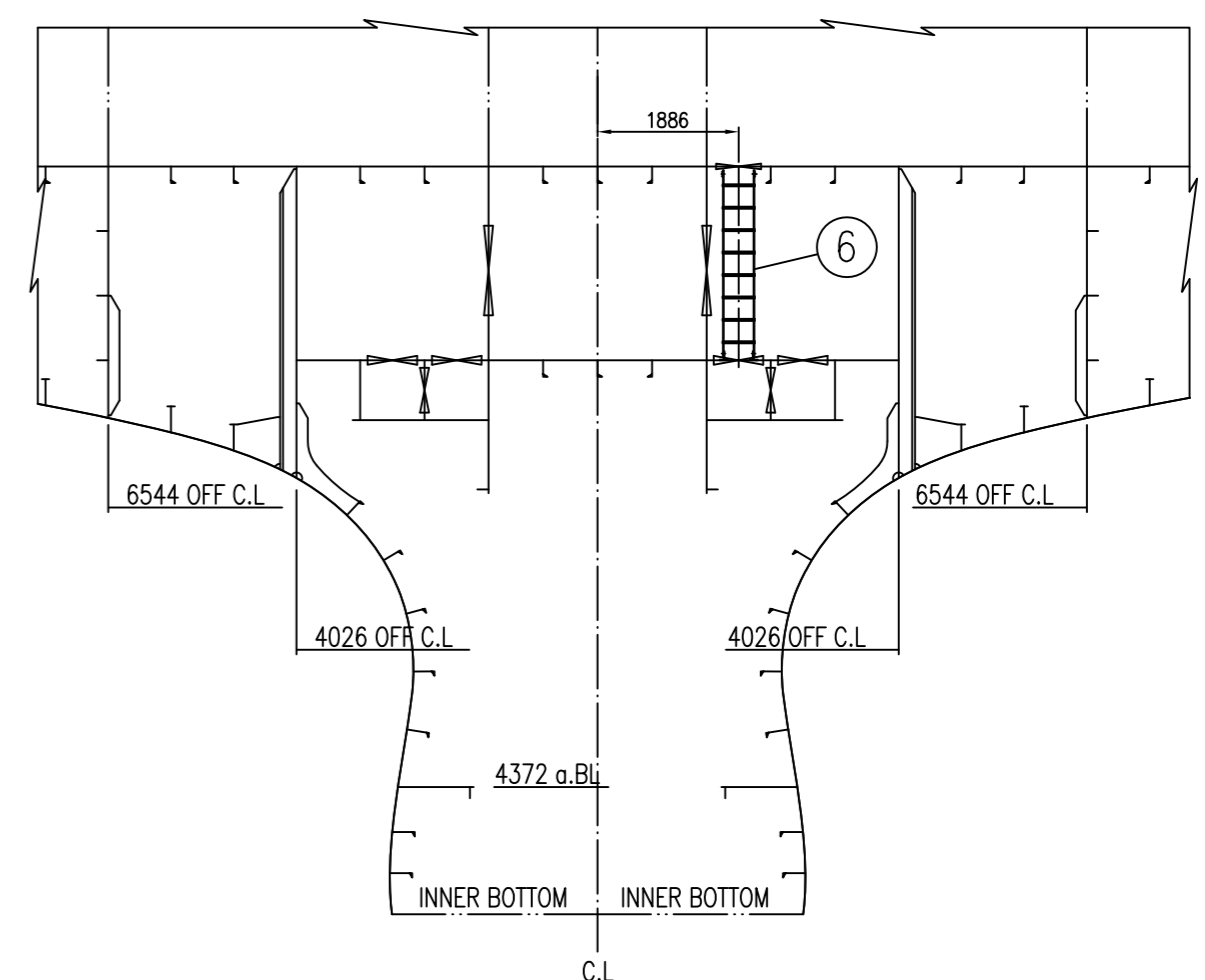
20448 PLATFORM

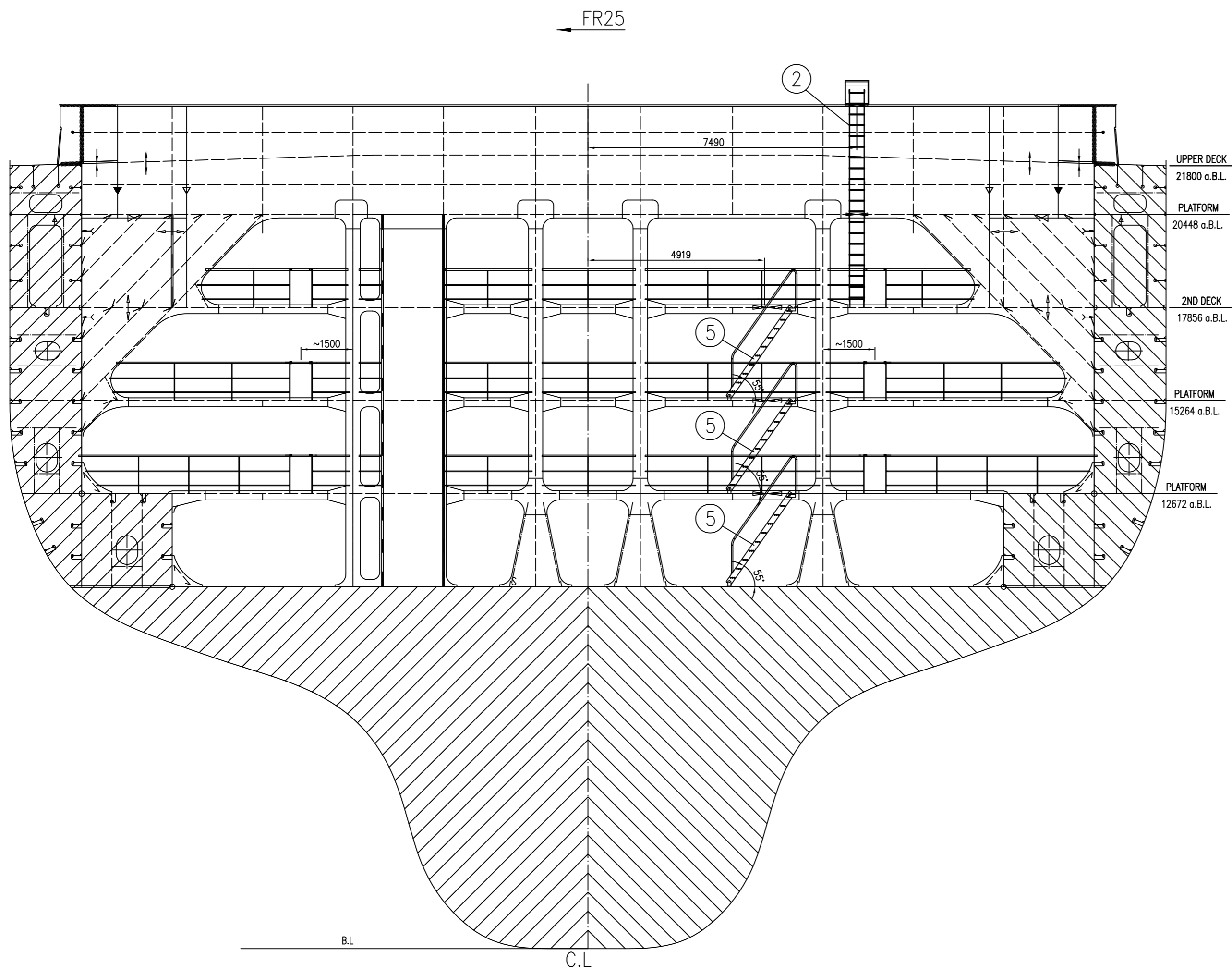
UPPER DECK

12672 PLATFORM

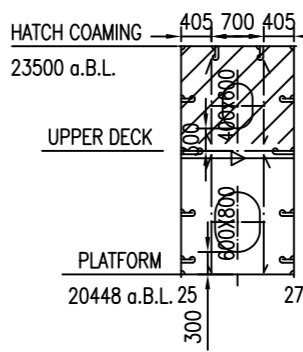


FR20

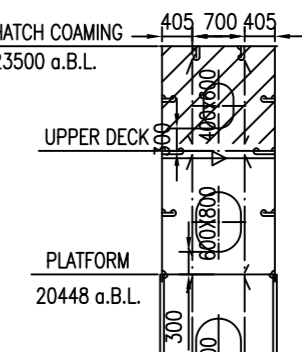




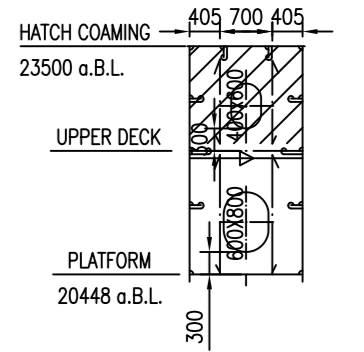
C.L SECTION
4026 OFF C.L. SIMILAR



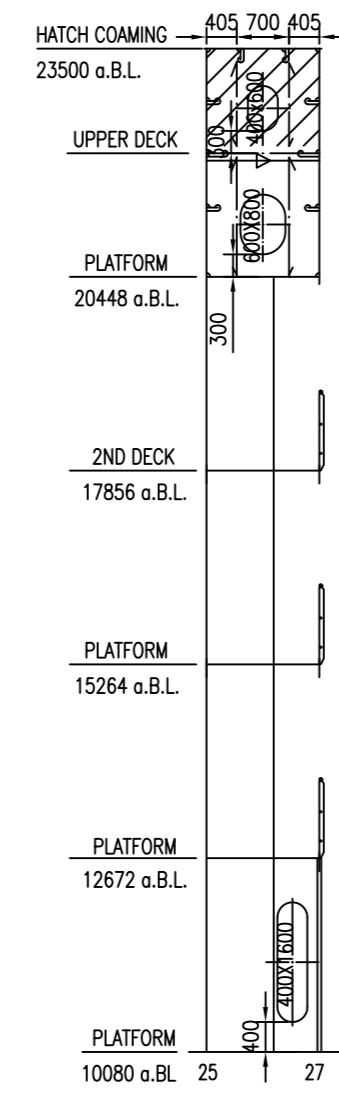
1458 OFF C.L.
6544 OFF C.L. SIMILAR



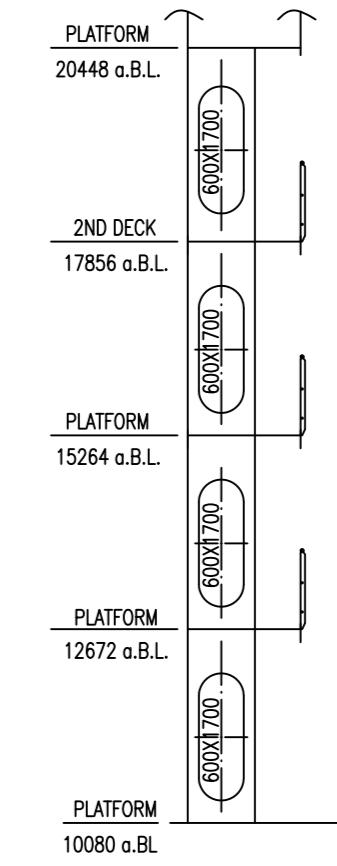
4026 OFF C.L.PS



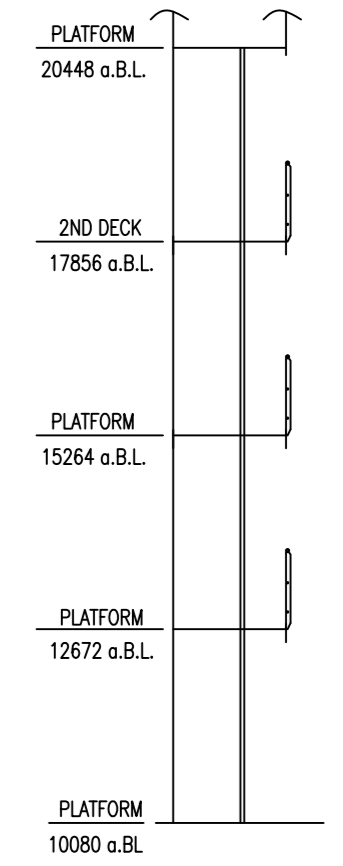
4026 OFF C.L.SB



4876 OFF C.L.SB



5726 OFF C.L.SB



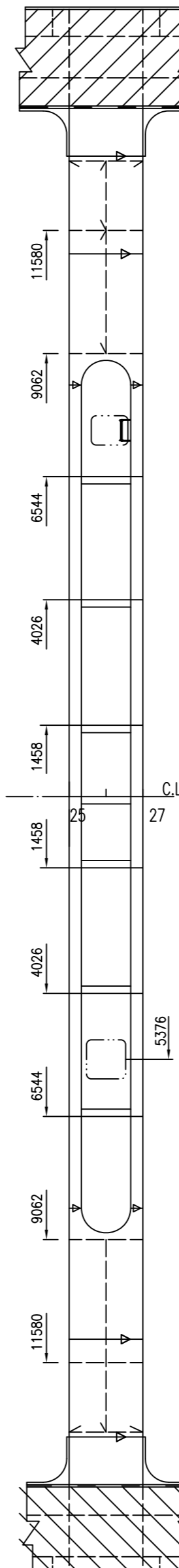
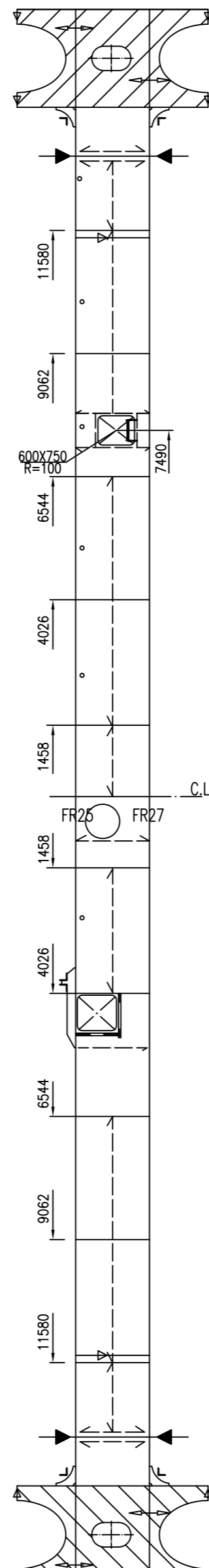
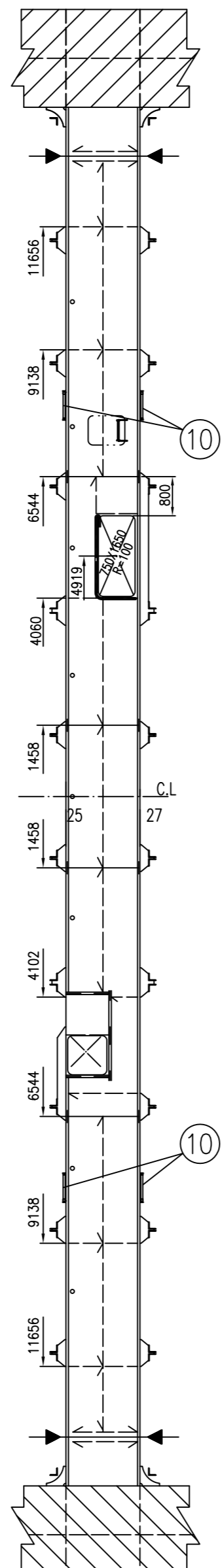
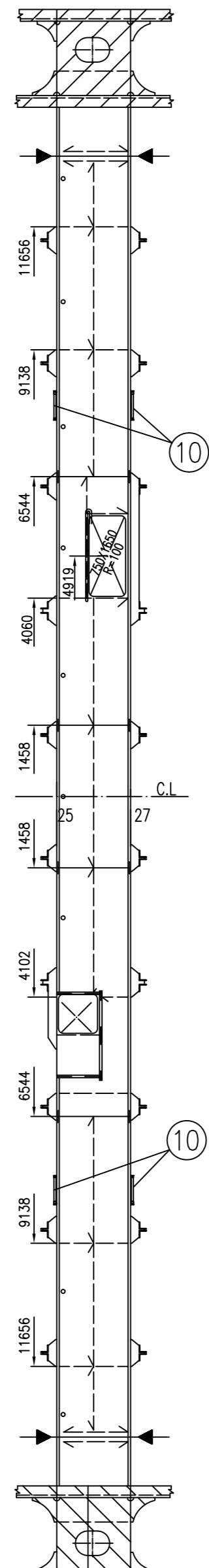
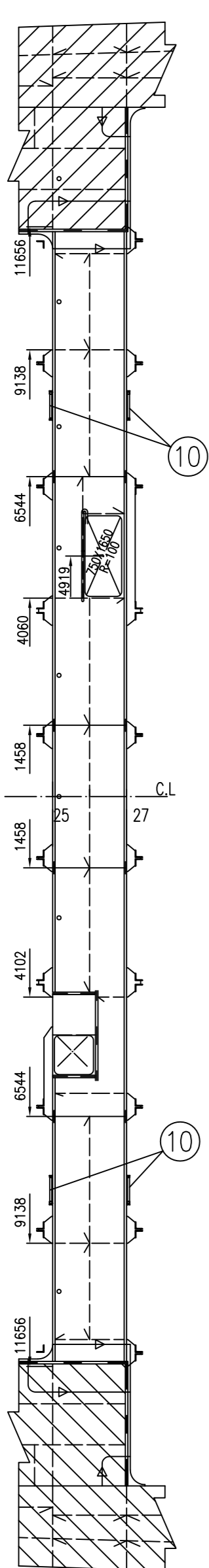
12672 PLATFORM

15264 PLATFORM

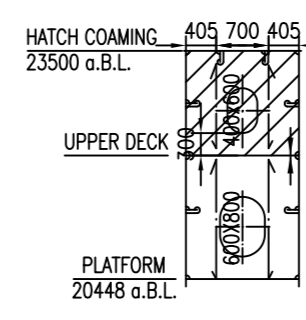
TWEEN DECK
17856 a.B.L

20448 PLATFORM

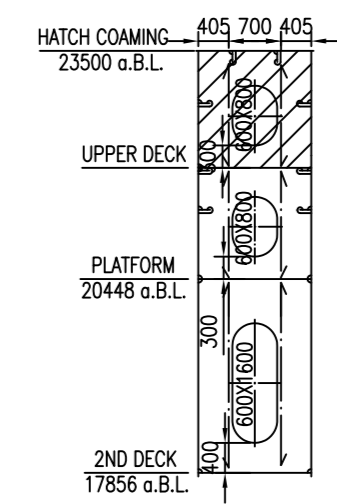
UPPER DECK



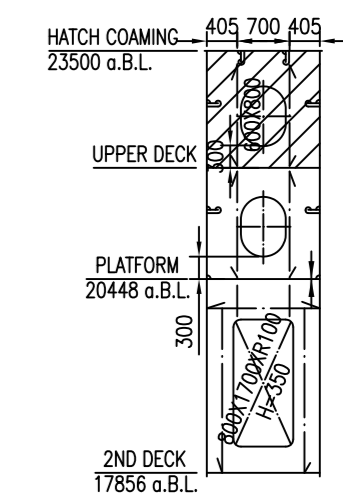
9062 OFF C.L

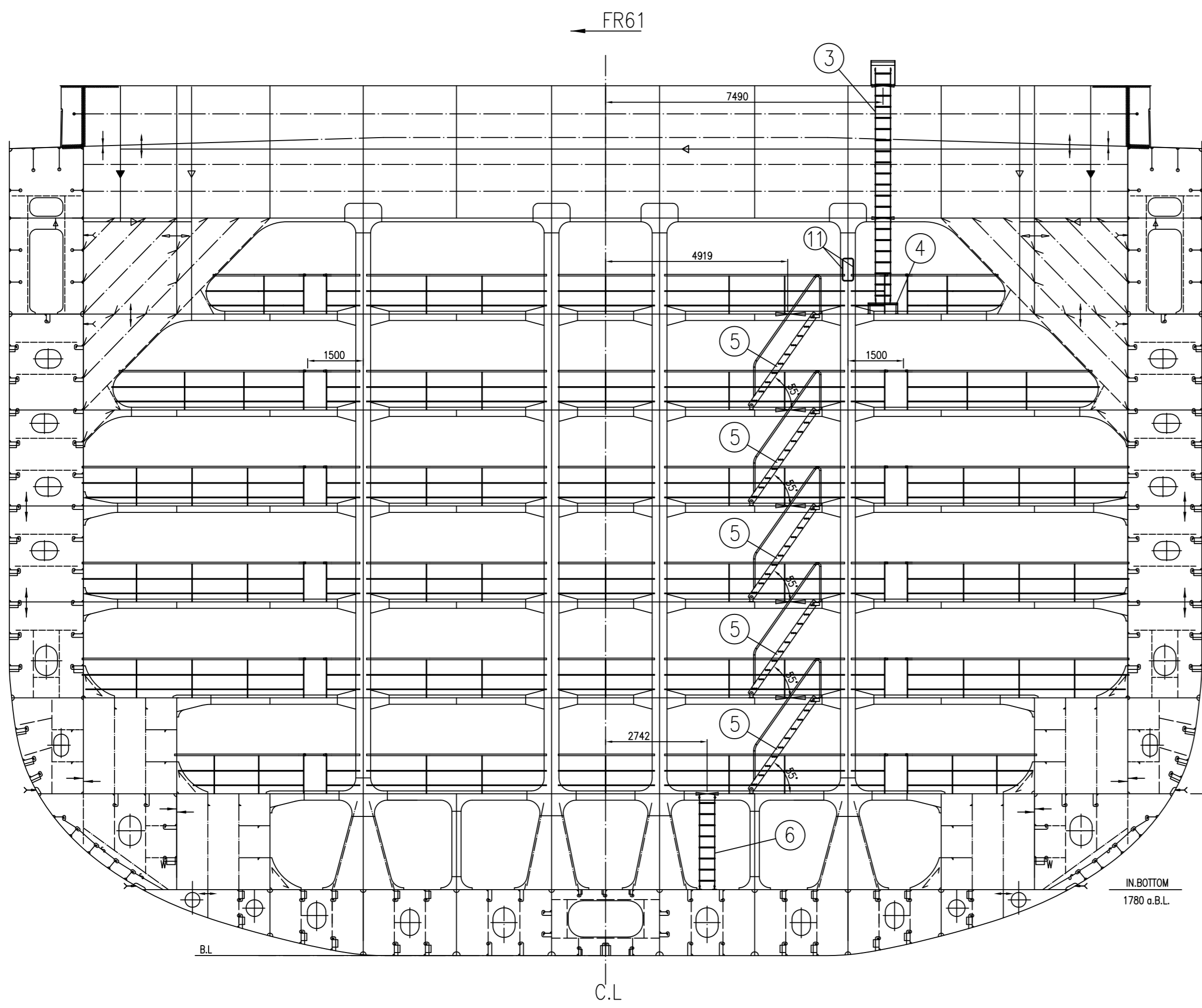


11580 OFF C.L.PS

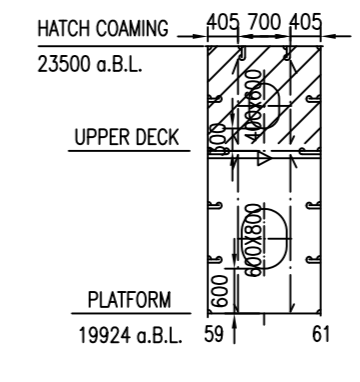


11580 OFF C.L.SB

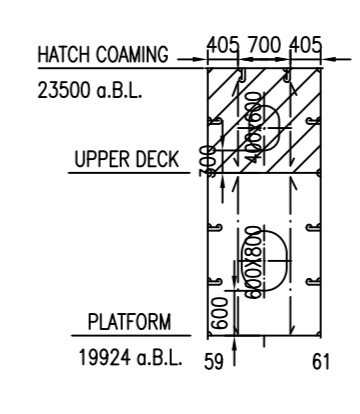




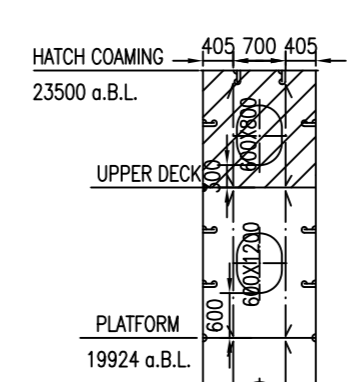
C.L SECTION



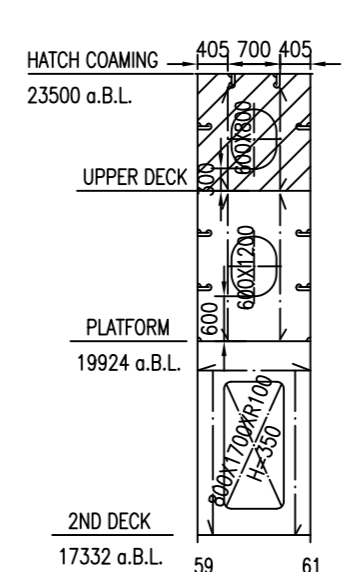
9062 OFF C.L.



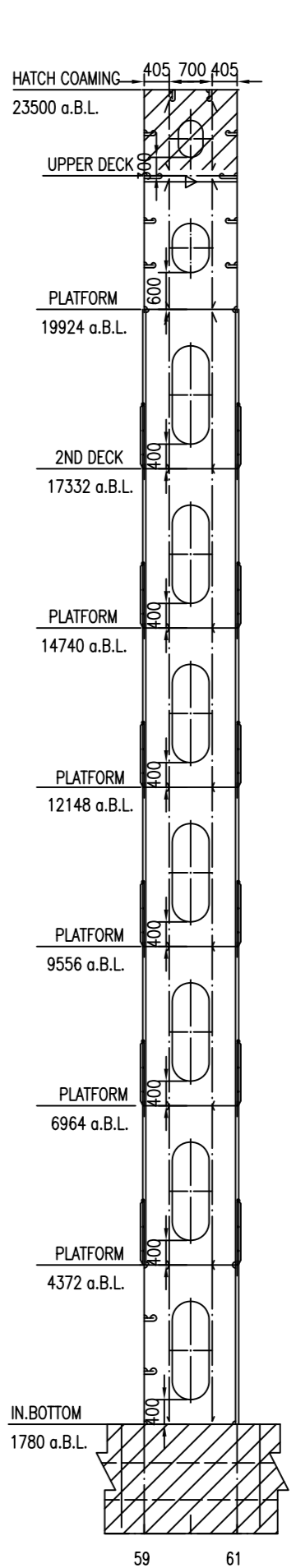
11580 OFF C.L.PS



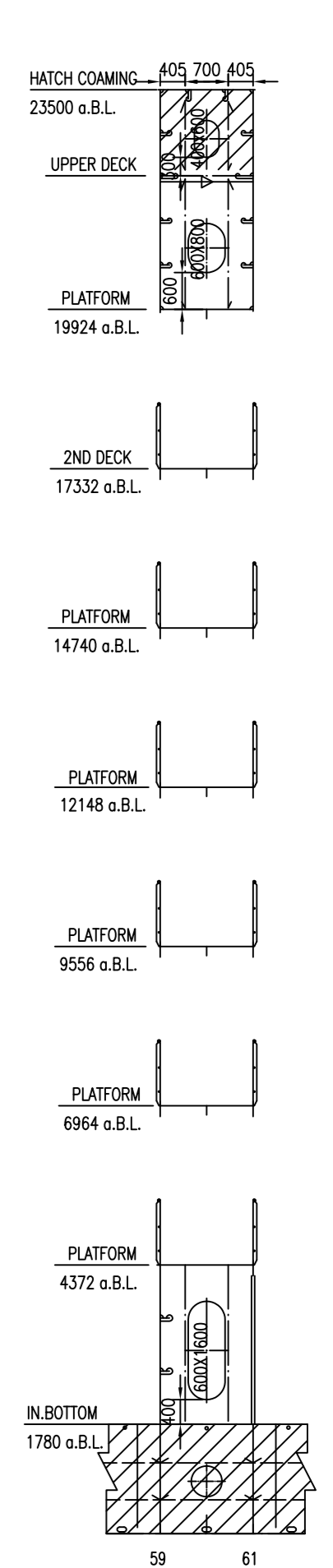
11580 OFF C.L.SB



1458 OFF C.L



4026 OFF C.L



4372 PLATFORM

6964 PLATFORM

9556 PLATFORM

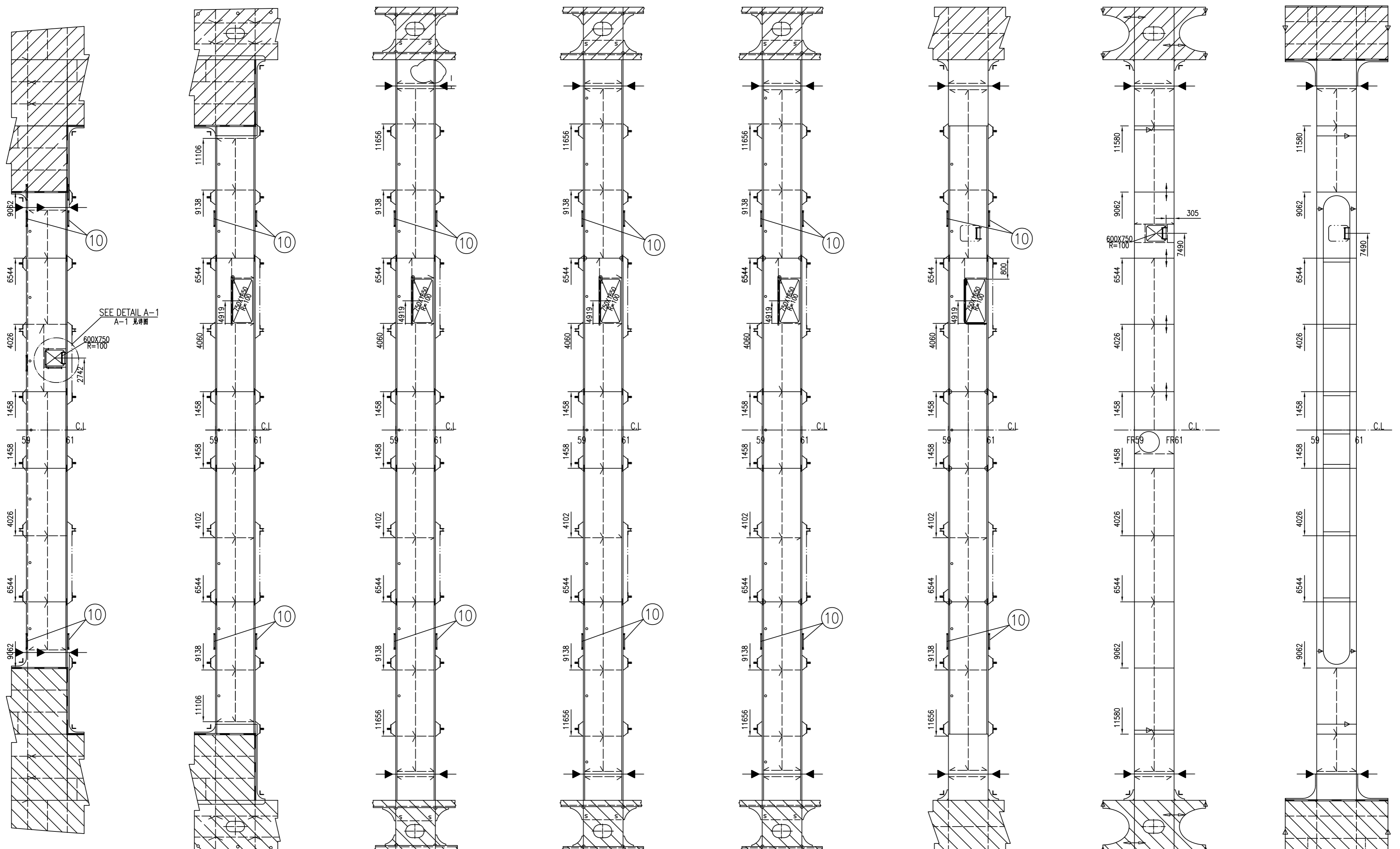
12148 PLATFORM

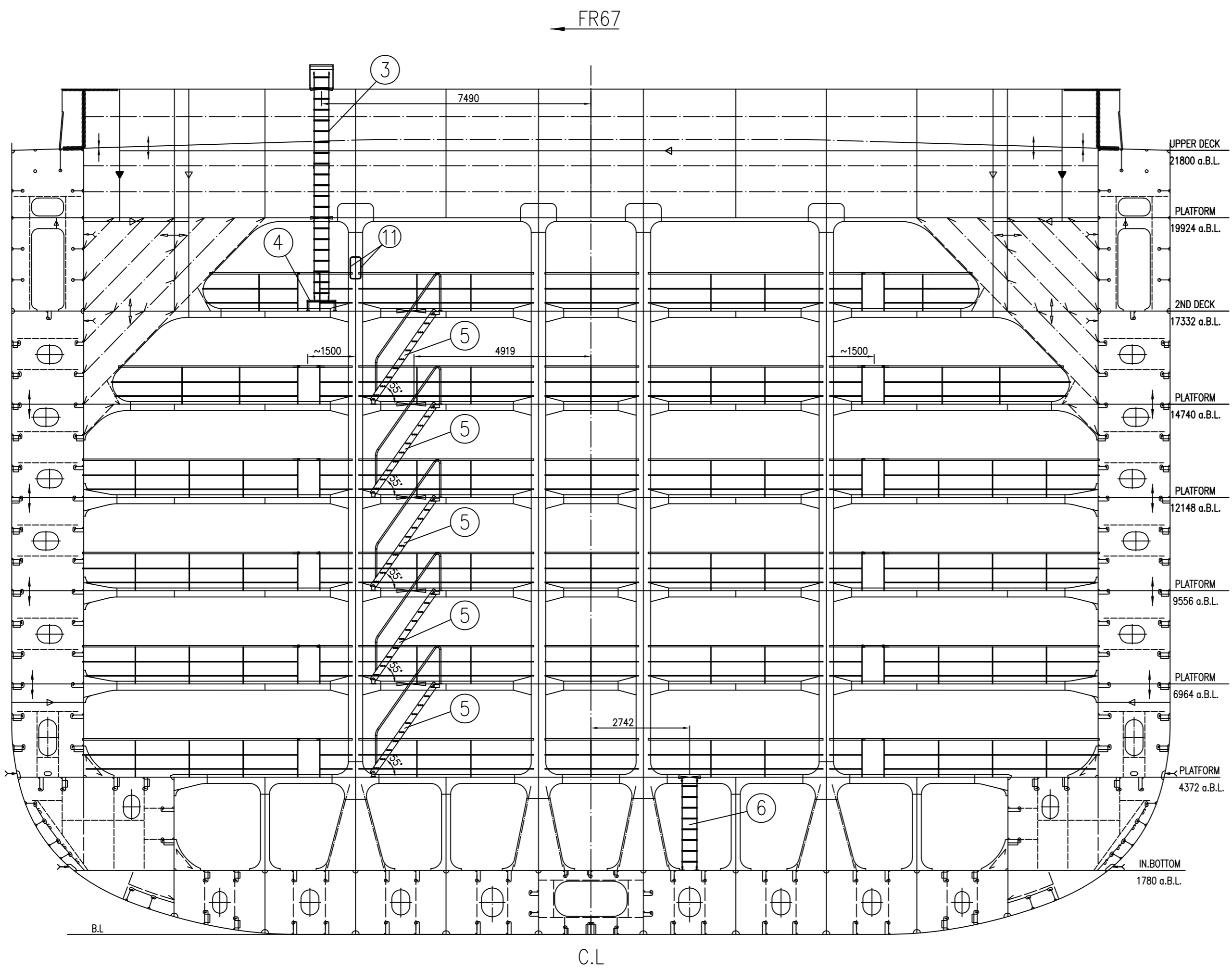
14740 PLATFORM

TWEEN DECK
17332 AB.L

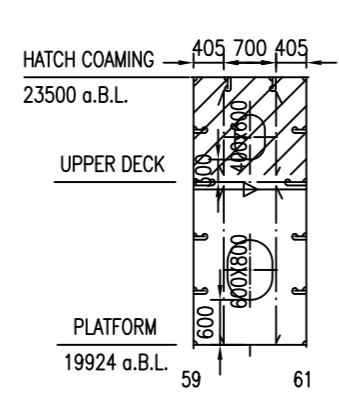
19924 PLATFORM

UPPER DECK

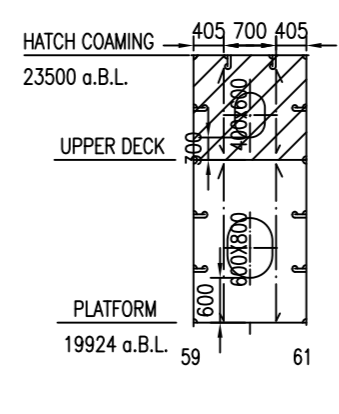




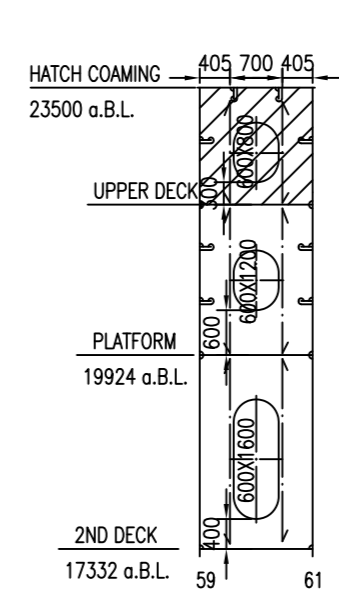
C.L SECTION



9062 OFF C.L.

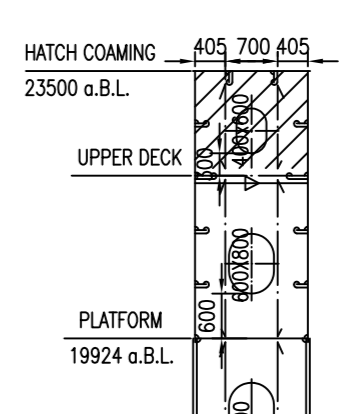


11580 OFF C.L.PS

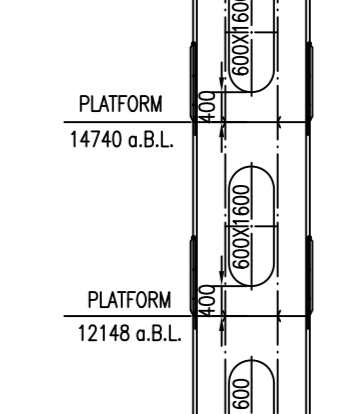


1458 OFF C.L.

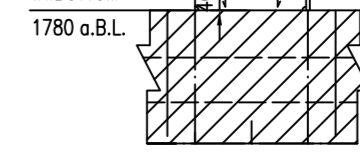
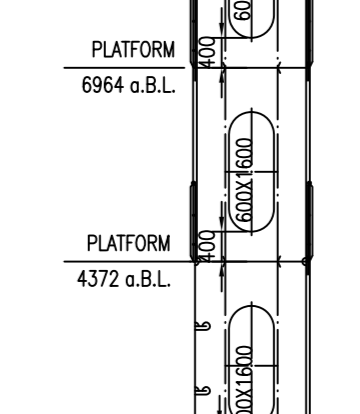
6544 OFF C.L. SIMILAR



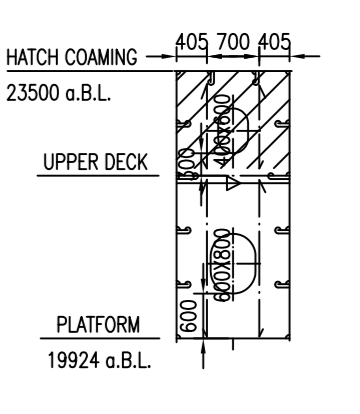
2ND DECK



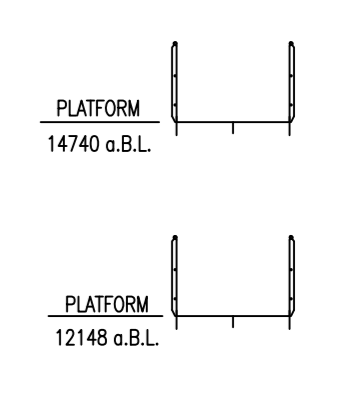
PLATFORM



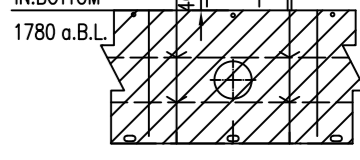
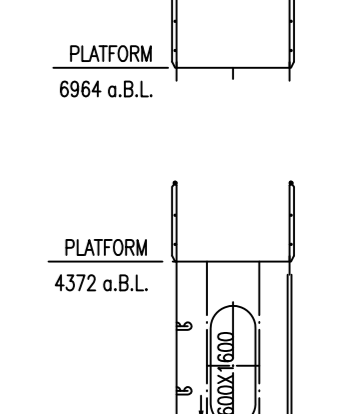
4026 OFF C.L.



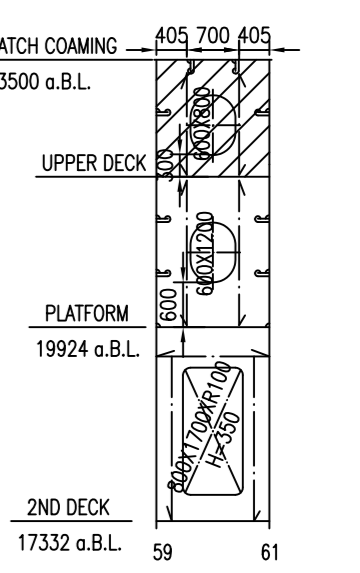
2ND DECK



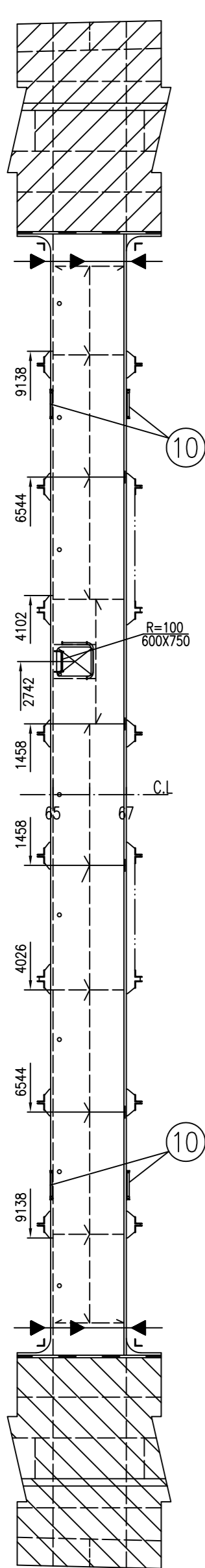
PLATFORM



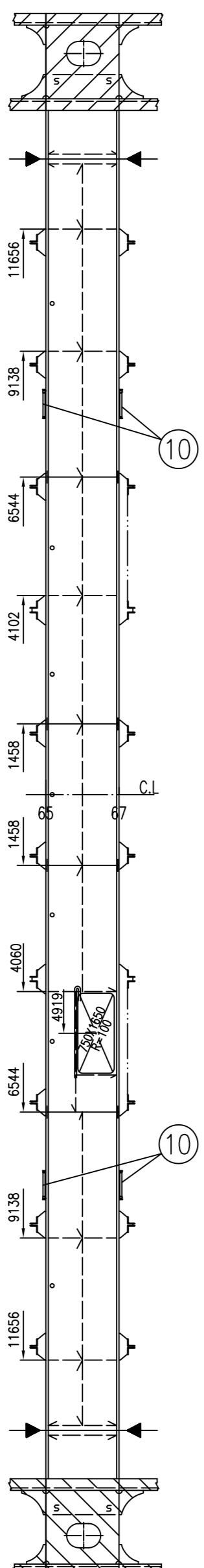
11580 OFF C.L.SB



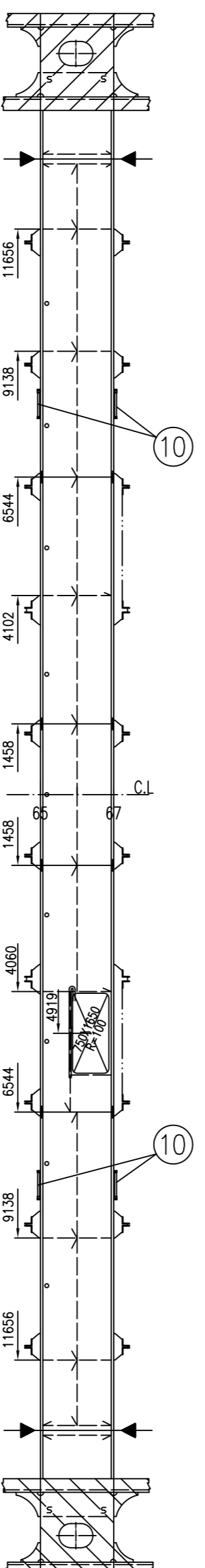
4372 PLATFORM



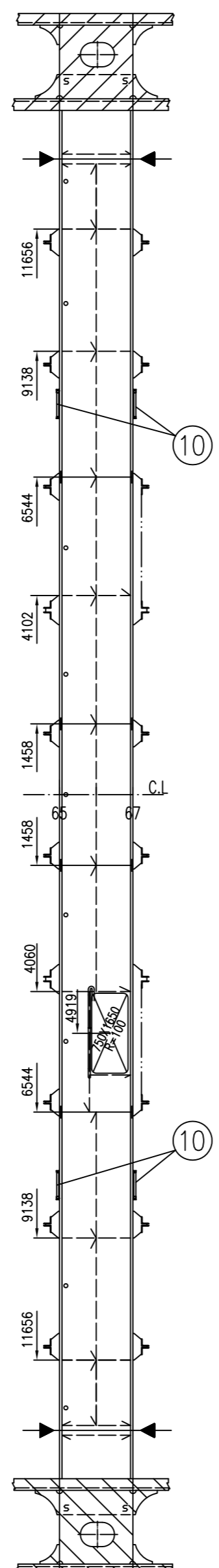
6964 PLATFORM



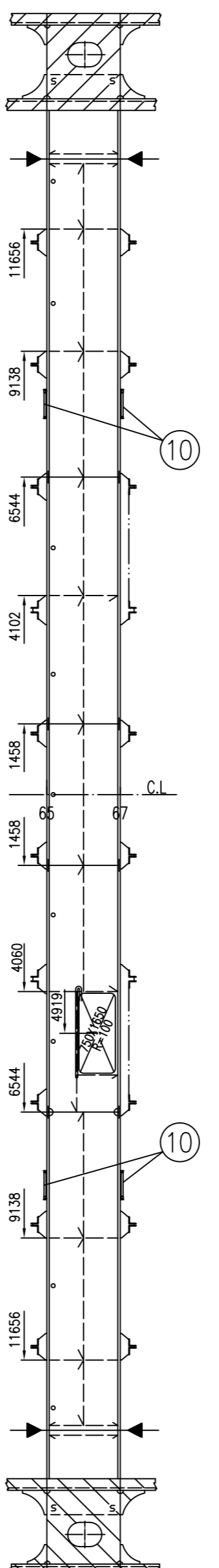
9556 PLATFORM



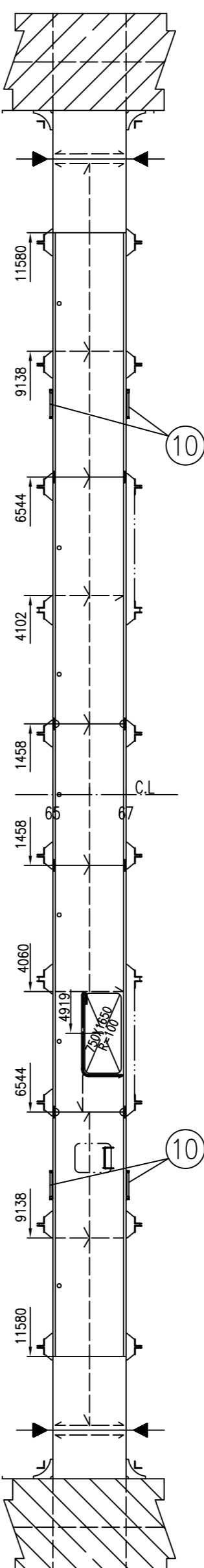
12148 PLATFORM



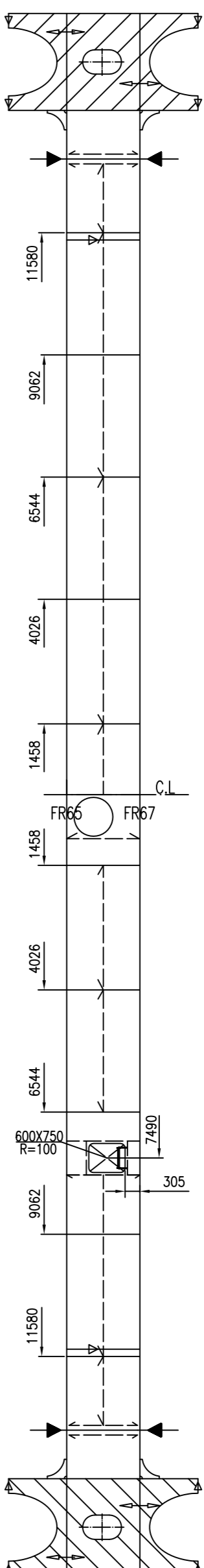
14740 PLATFORM



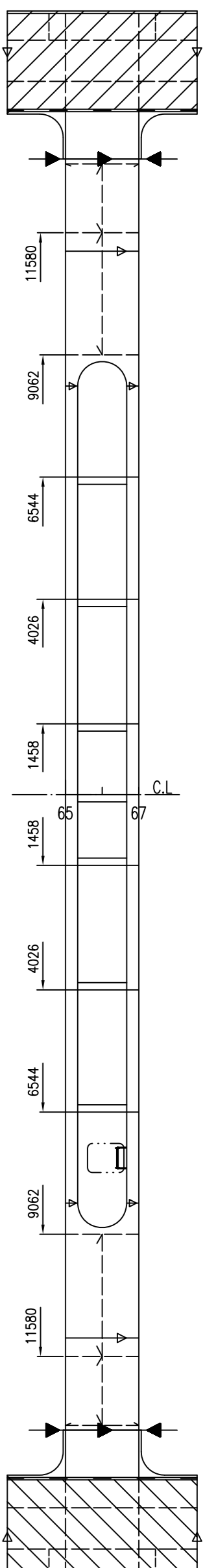
TWEEN DECK
17332 AB.L

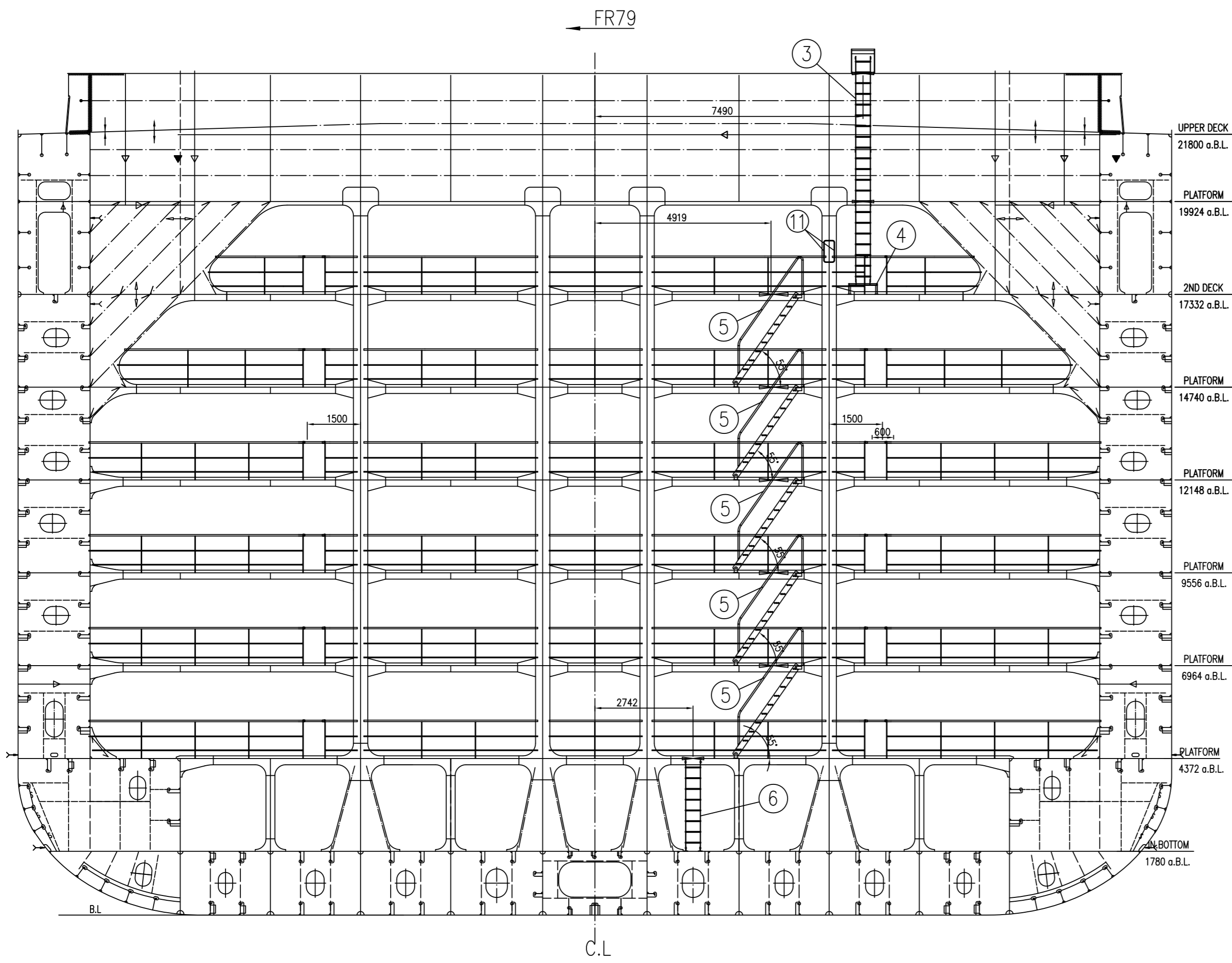


19924 PLATFORM

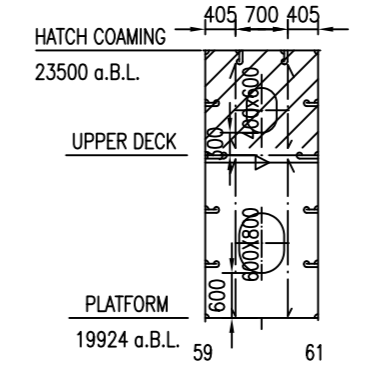


UPPER DECK

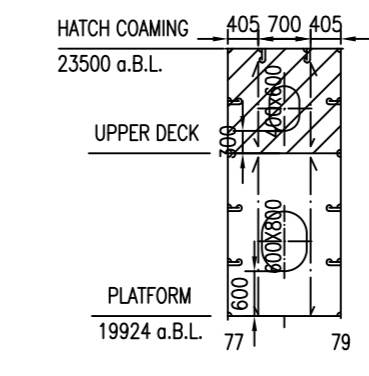




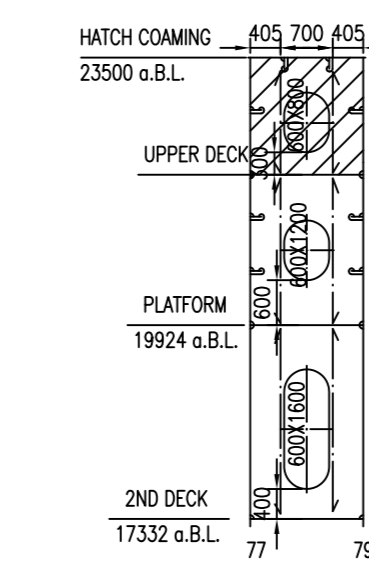
C.L SECTION



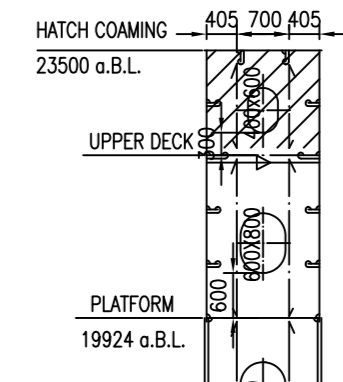
9062 OFF C.L



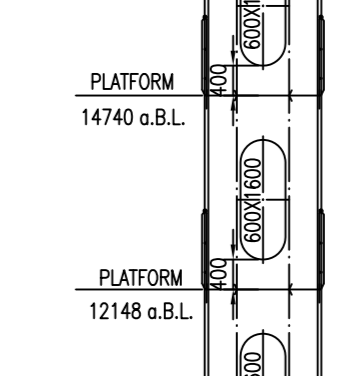
11580 OFF C.L.P.S



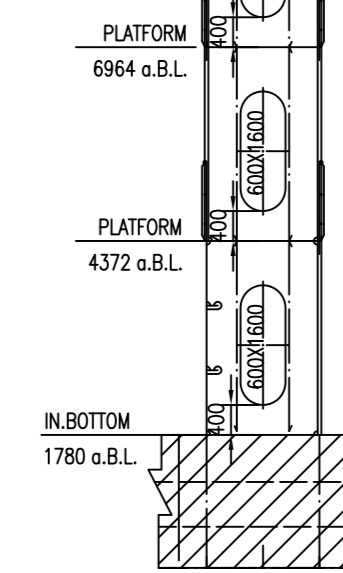
1458 OFF C.L
6544 OFF C.L SIMILAR



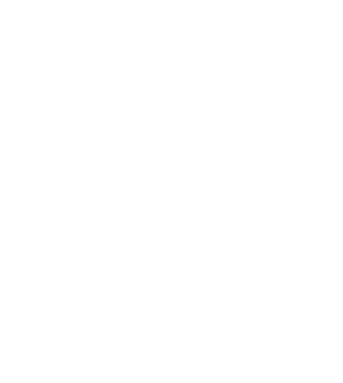
17332 OFF C.L



12148 OFF C.L



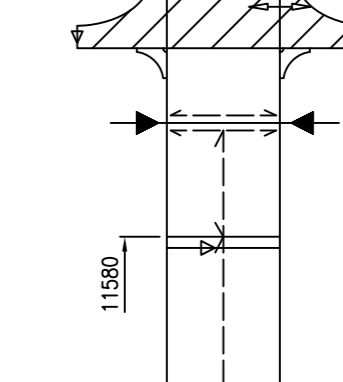
9556 OFF C.L



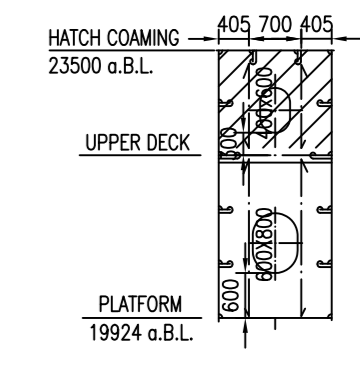
6964 OFF C.L



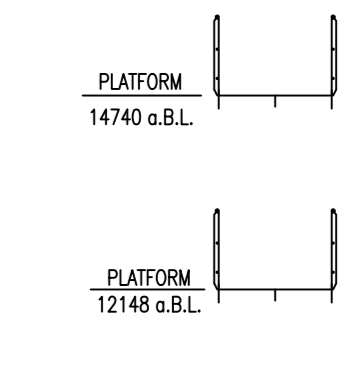
4372 OFF C.L



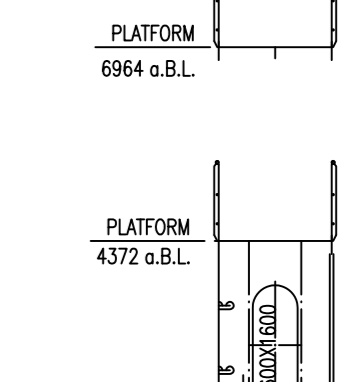
4026 OFF C.L



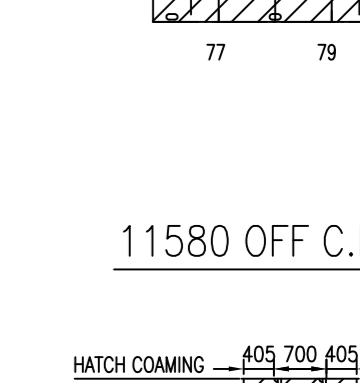
17332 OFF C.L



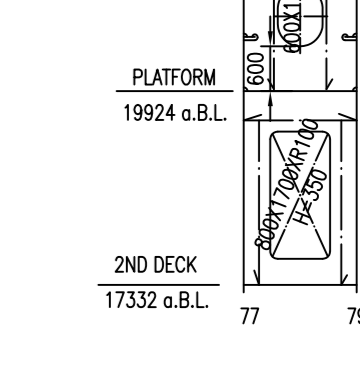
12148 OFF C.L



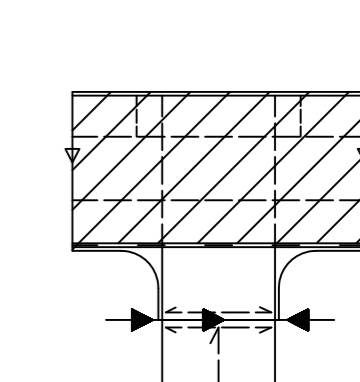
9556 OFF C.L



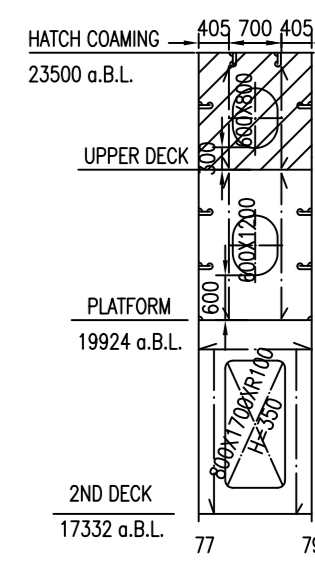
6964 OFF C.L



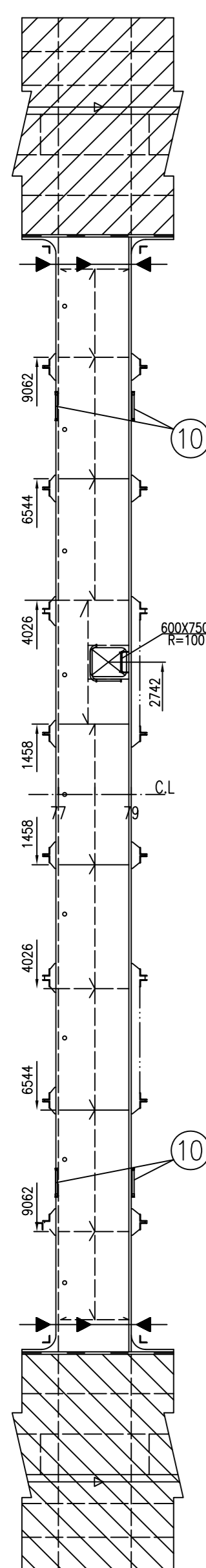
17332 OFF C.L



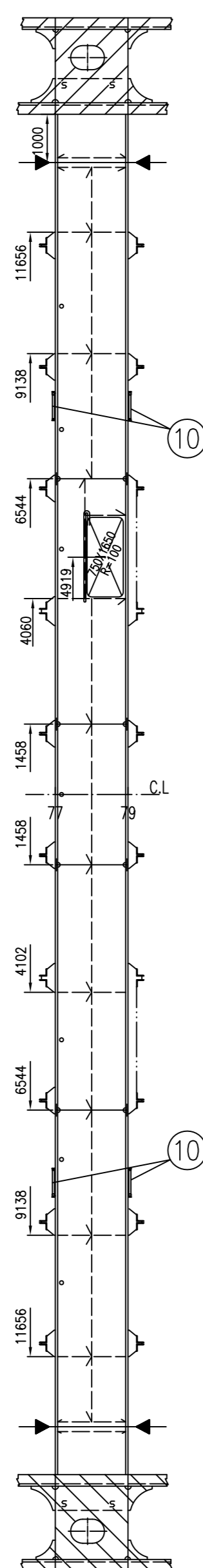
11580 OFF C.L.SB



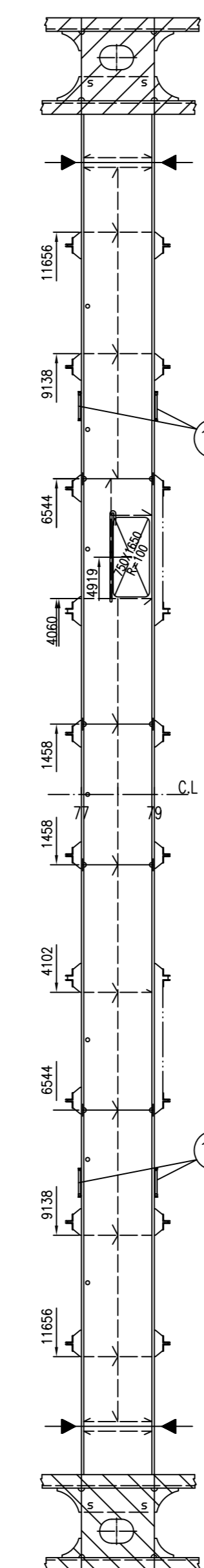
4372 PLATFORM



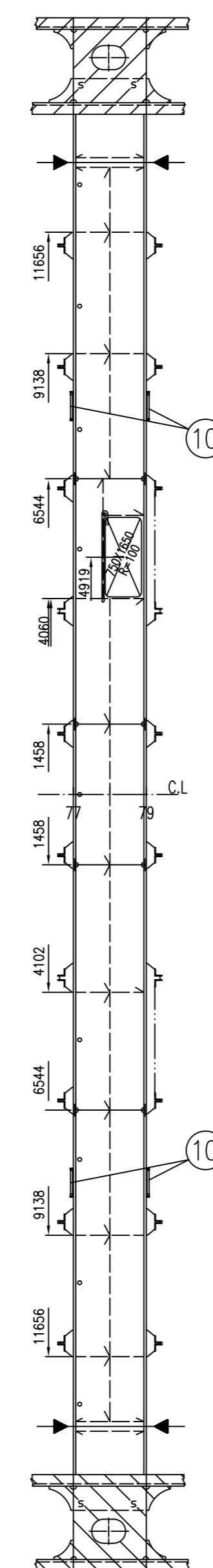
6964 PLATFORM



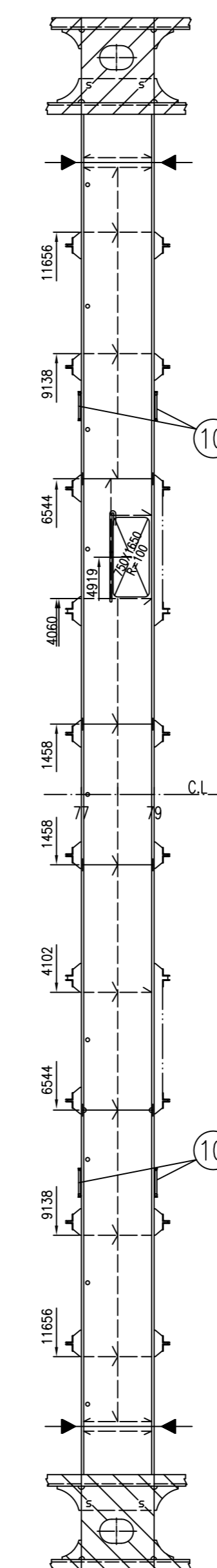
9556 PLATFORM



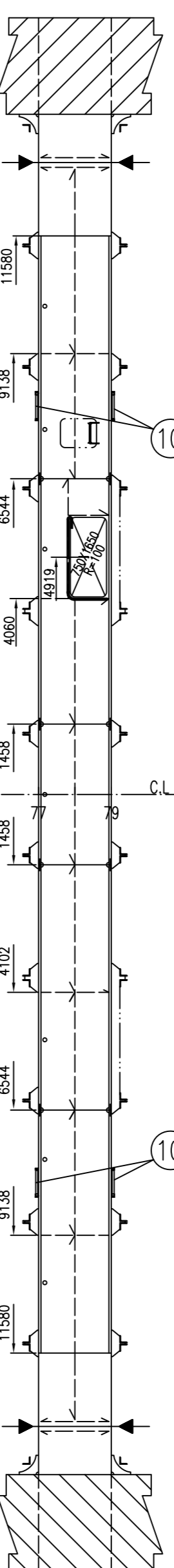
12148 PLATFORM



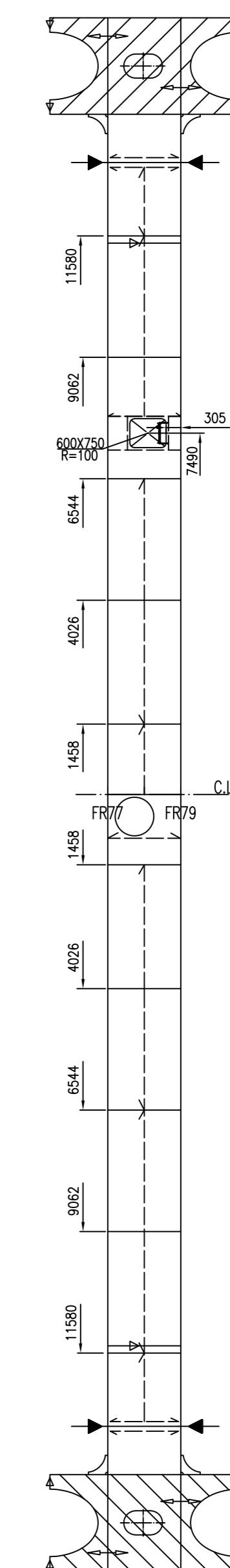
14740 PLATFORM



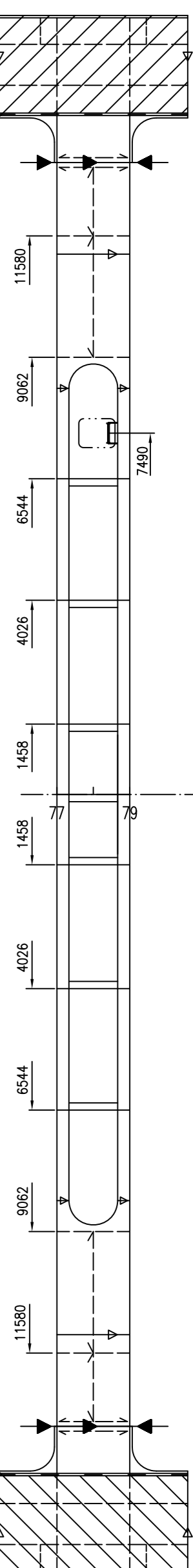
TWEEN DECK
17332 AB.L

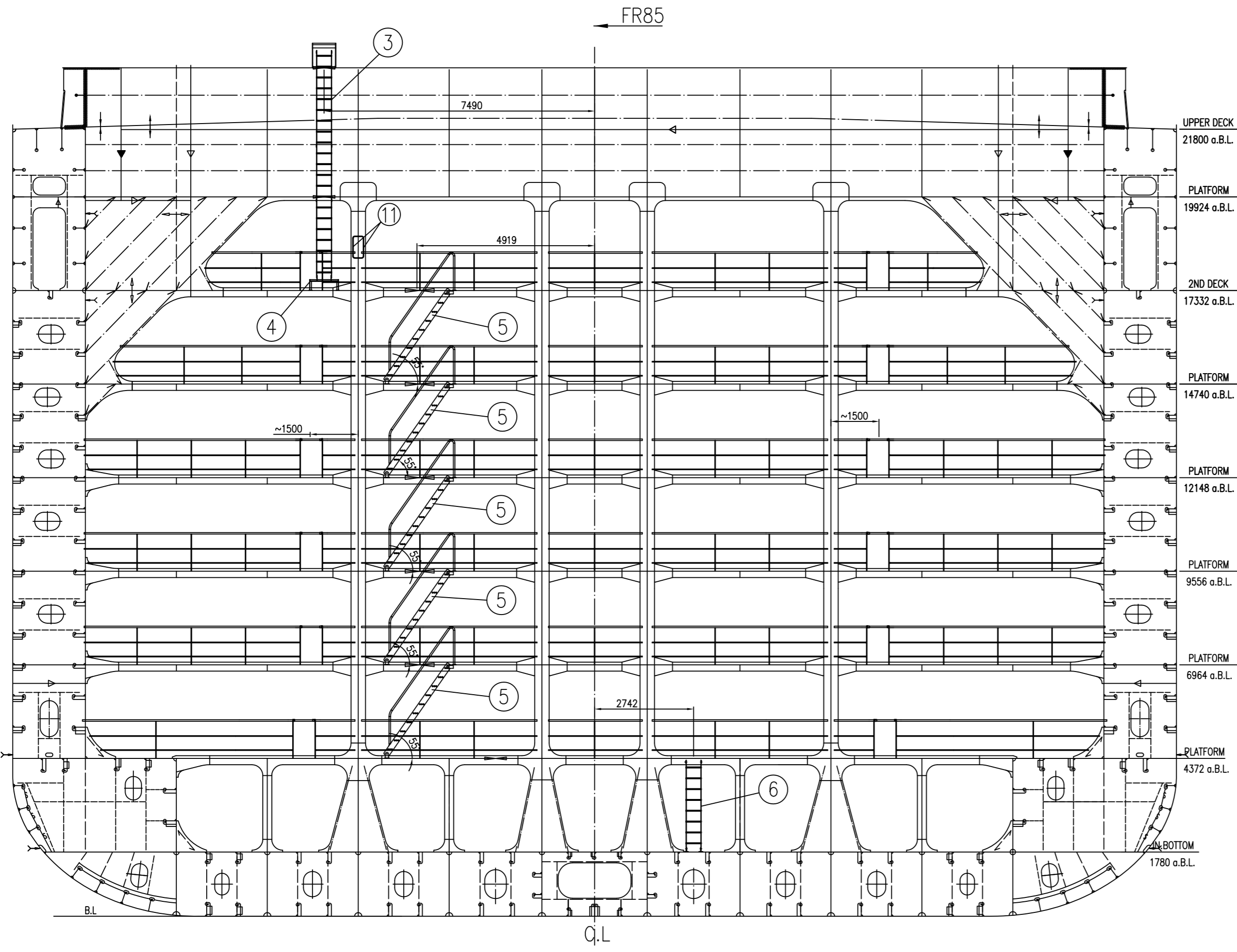


19924 PLATFORM

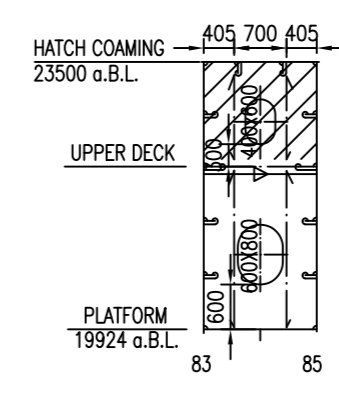


UPPER DECK

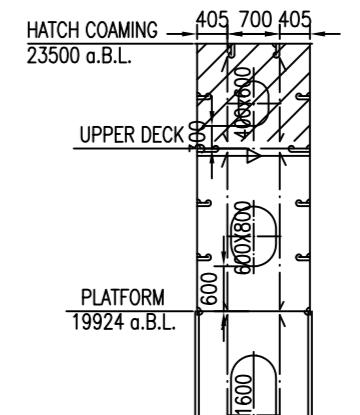




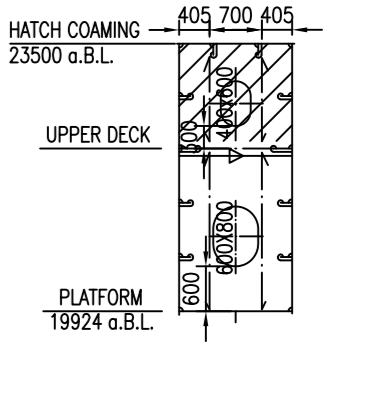
C.L SECTION



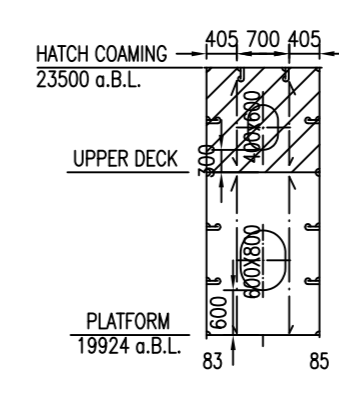
1458 OFF C.L.



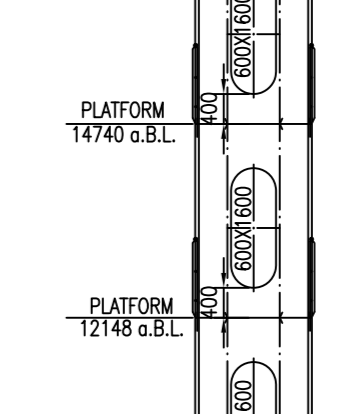
4026 OFF C.L.



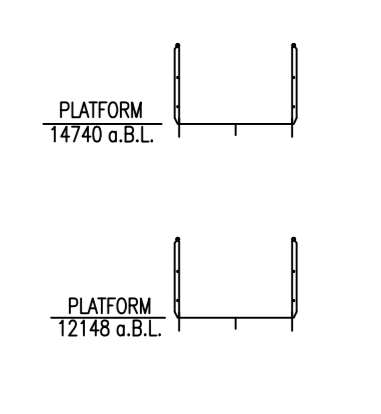
9062 OFF C.L.



1458 OFF C.L.



4026 OFF C.L.



4372 PLATFORM

6964 PLATFORM

9556 PLATFORM

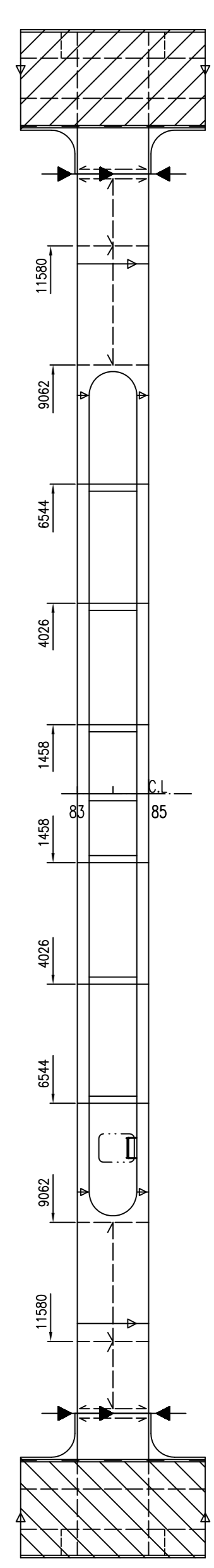
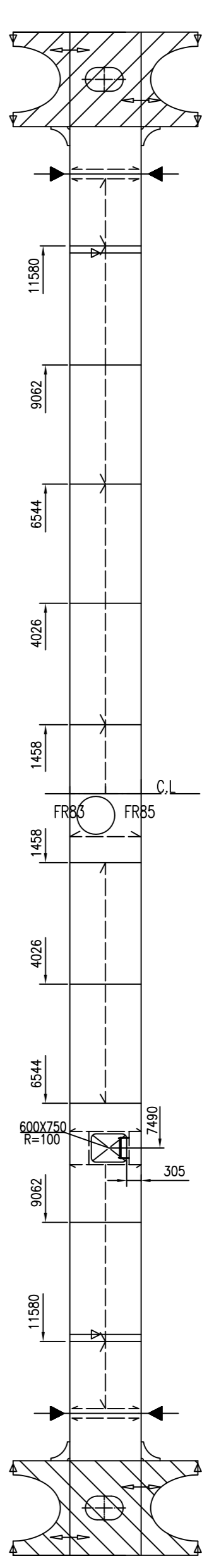
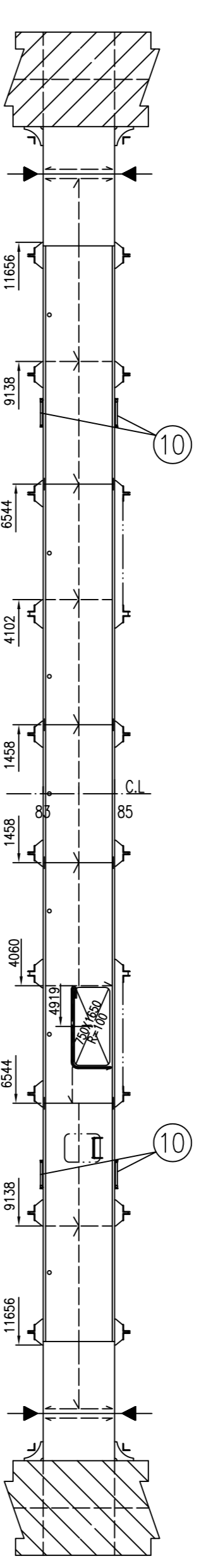
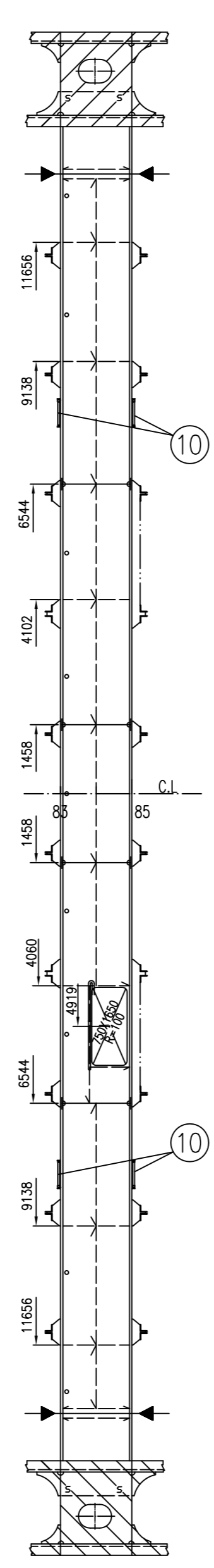
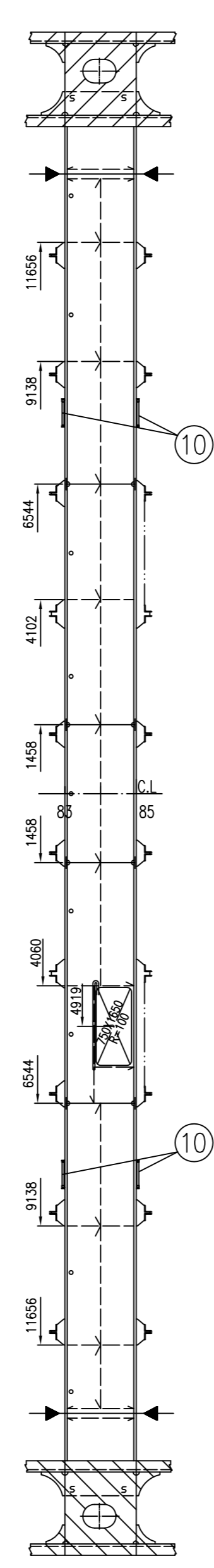
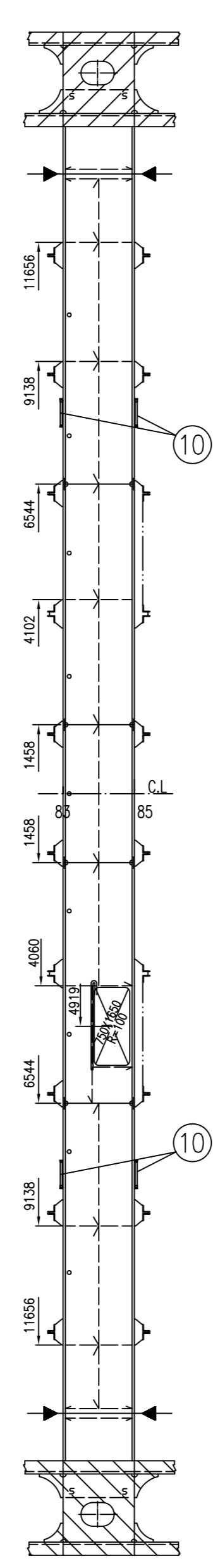
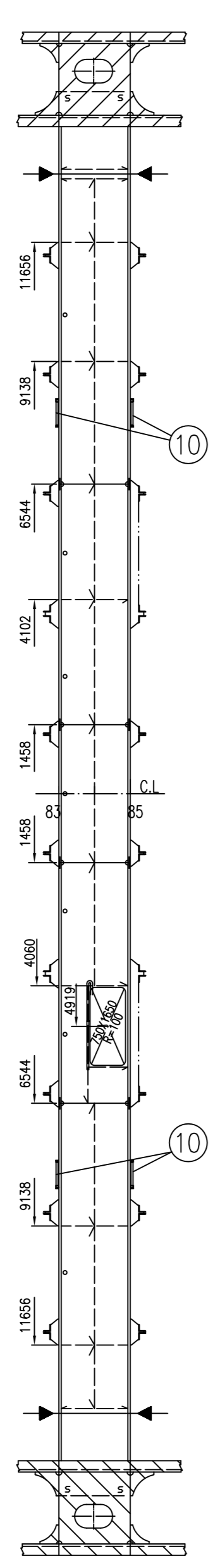
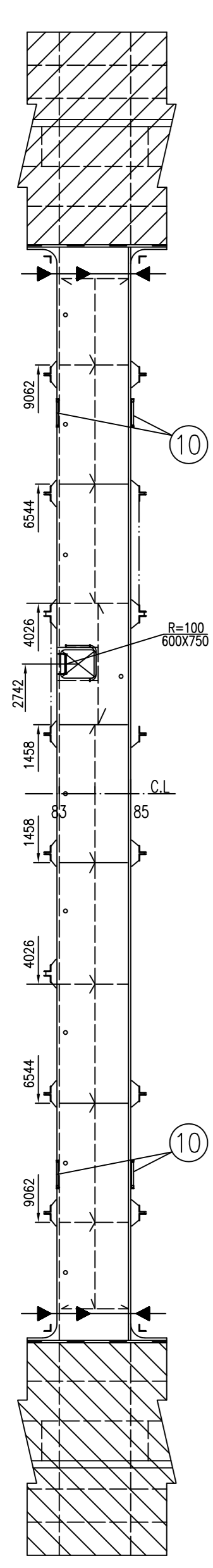
12148 PLATFORM

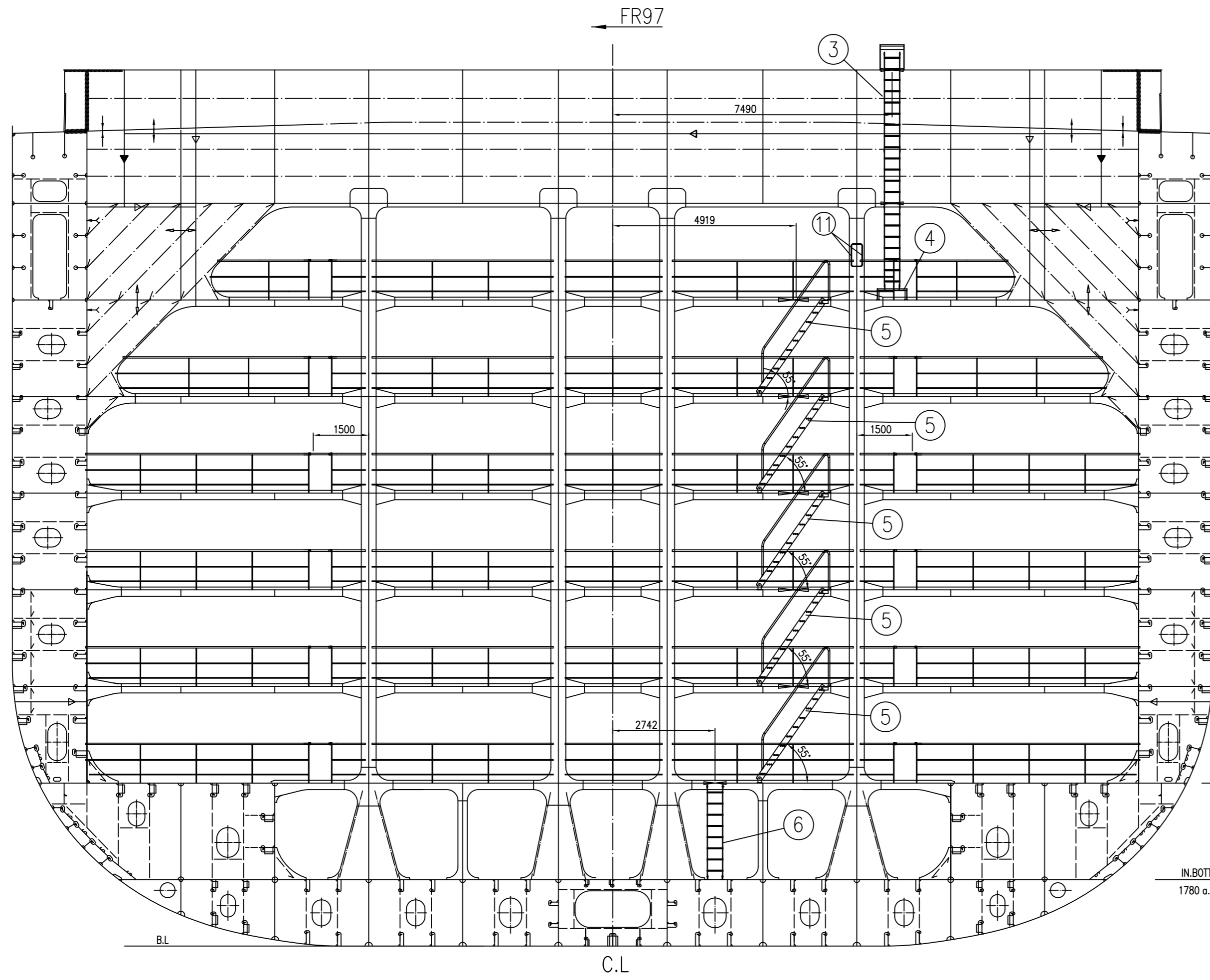
14740 PLATFORM

TWEEN DECK
17332 AB.L

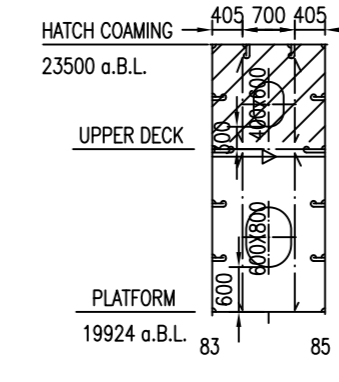
19924 PLATFORM

UPPER DECK

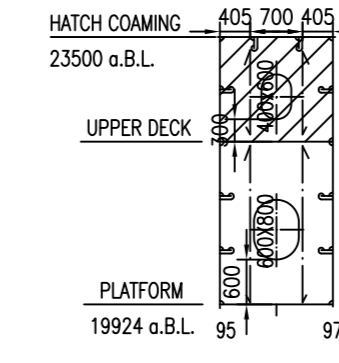




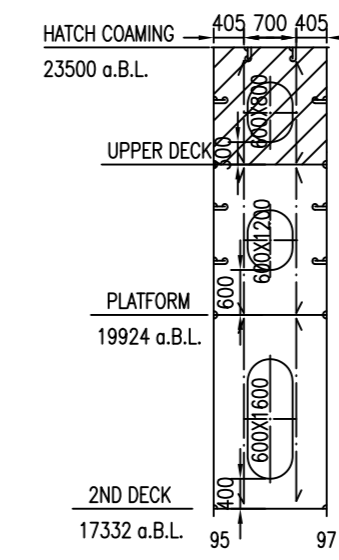
C.L SECTION



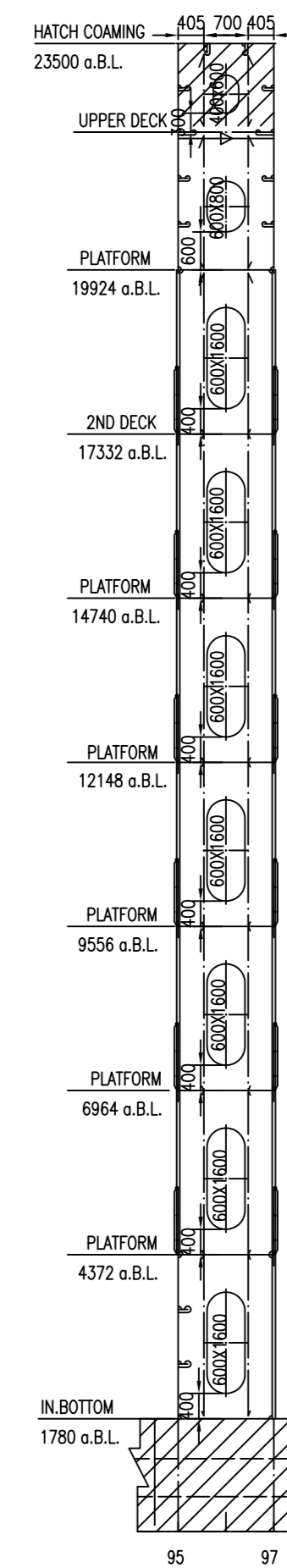
9062 OFF C.L.



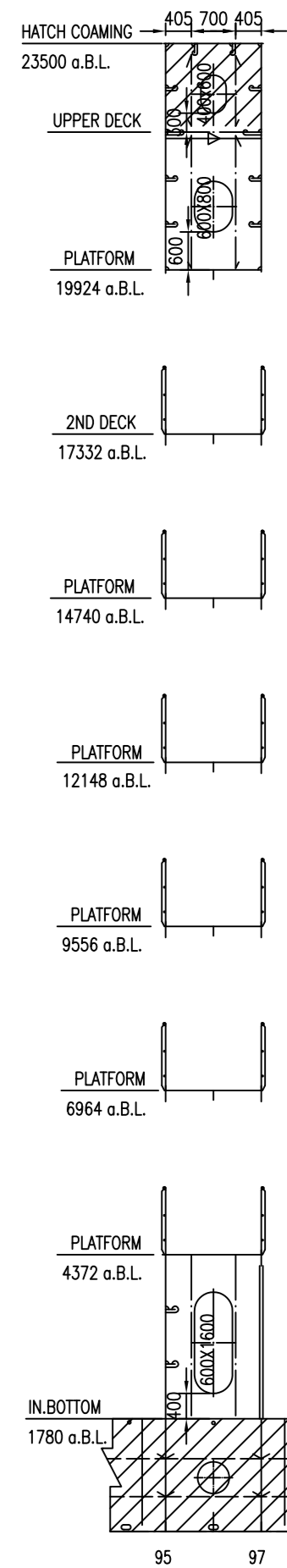
11580 OFF C.L.P.S



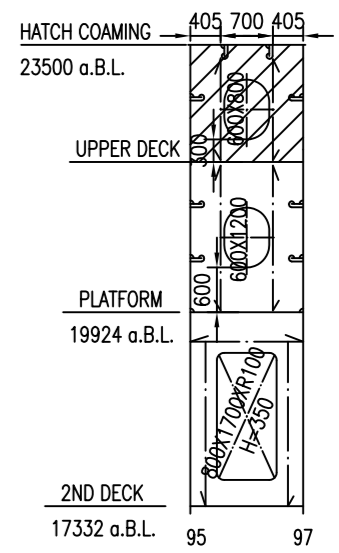
1458 OFF C.L



4026 OFF C.L



11580 OFF C.L.SB



4372 PLATFORM

6964 PLATFORM

9556 PLATFORM

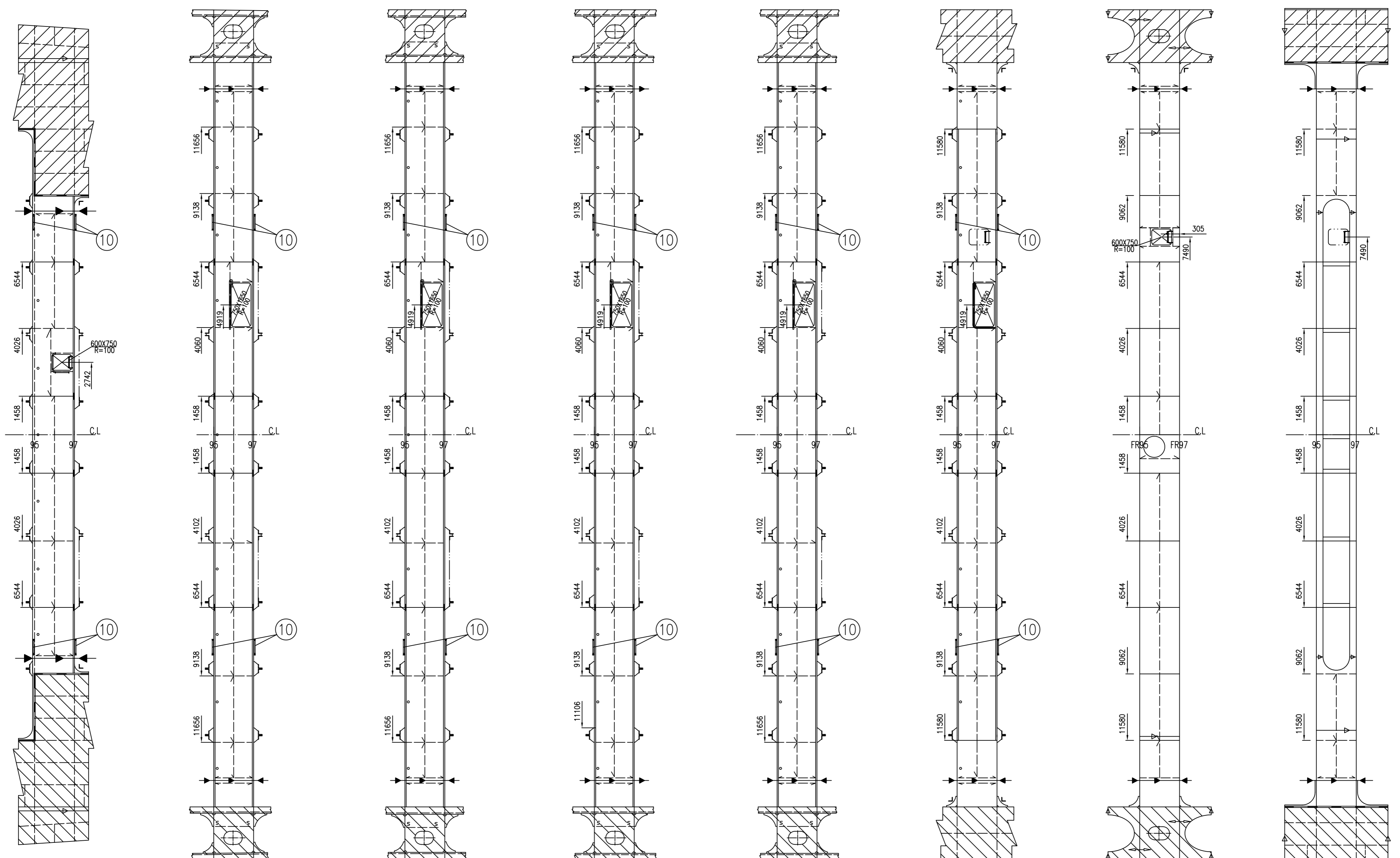
12148 PLATFORM

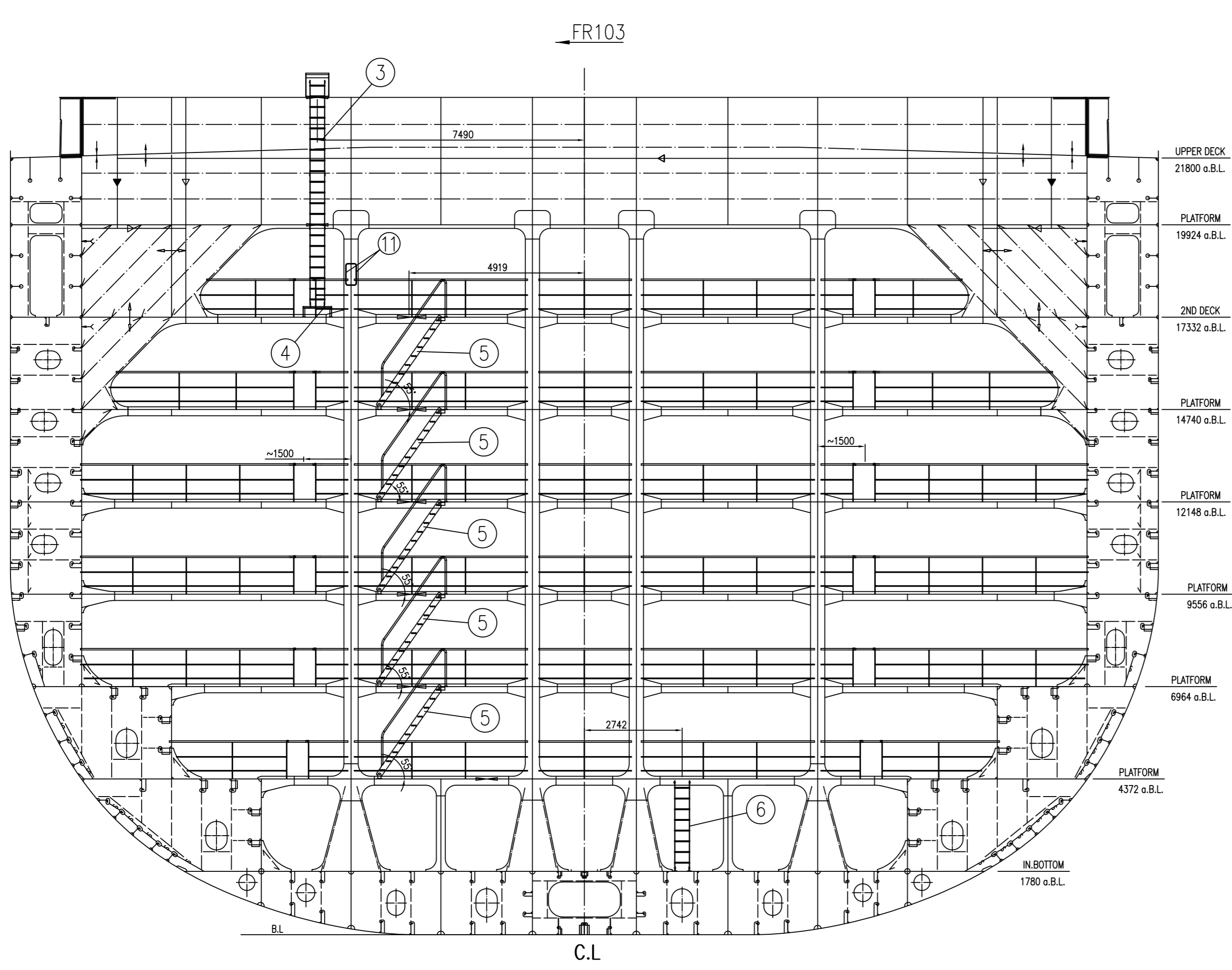
14740 PLATFORM

TWEEN DECK
17332 AB.L

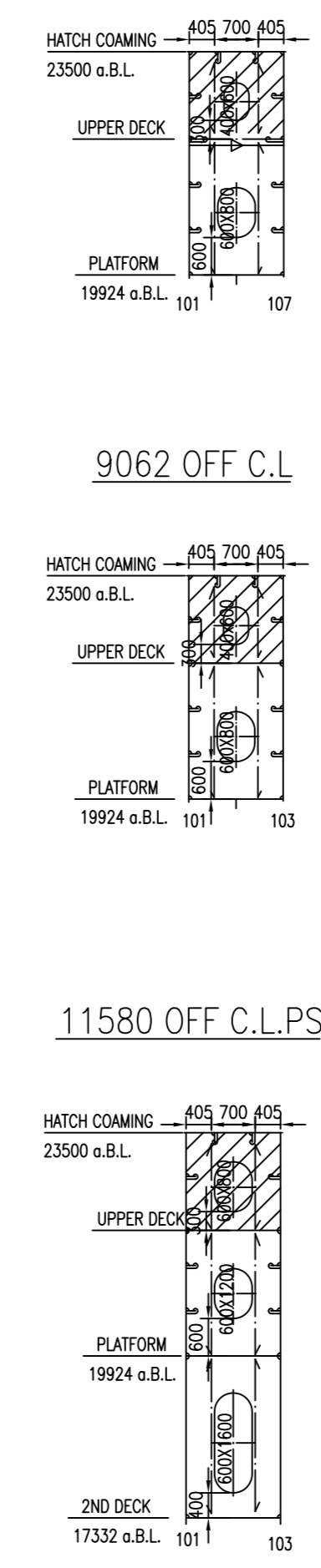
19924 PLATFORM

UPPER DECK

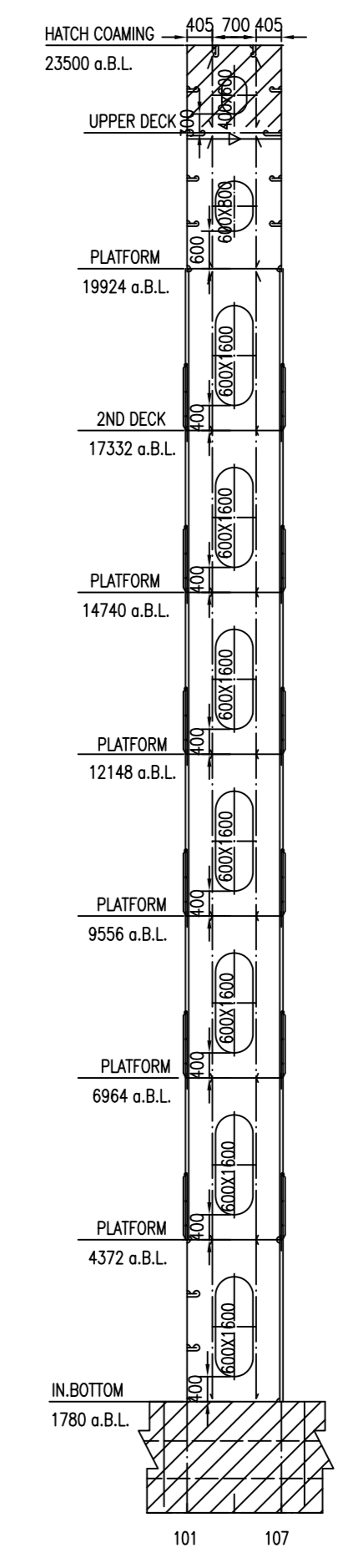




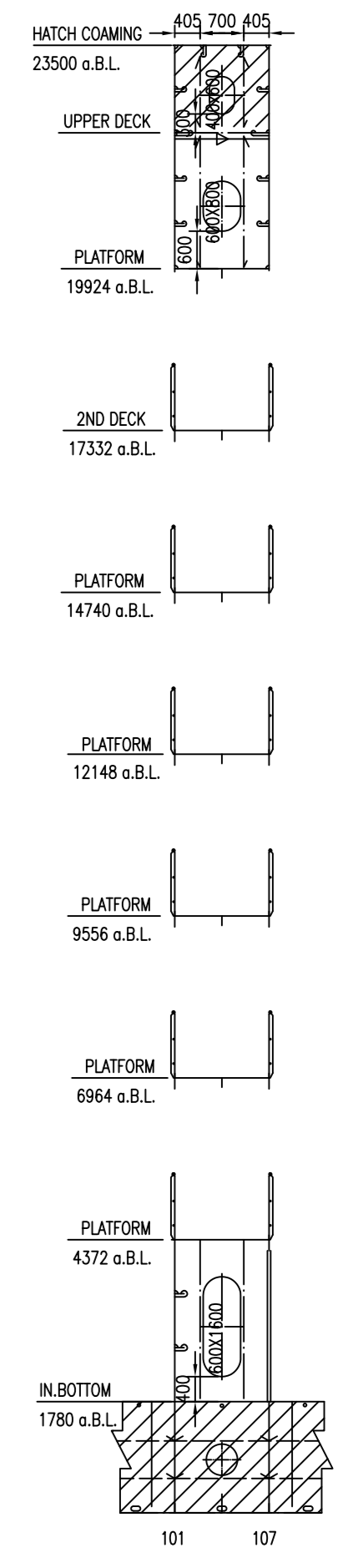
C.L SECTION



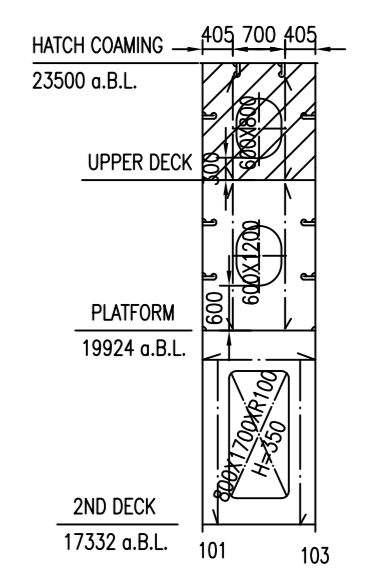
1458 OFF C.L.



4026 OFF C.L.



11580 OFF C.L.SB



4372 PLATFORM

6964 PLATFORM

9556 PLATFORM

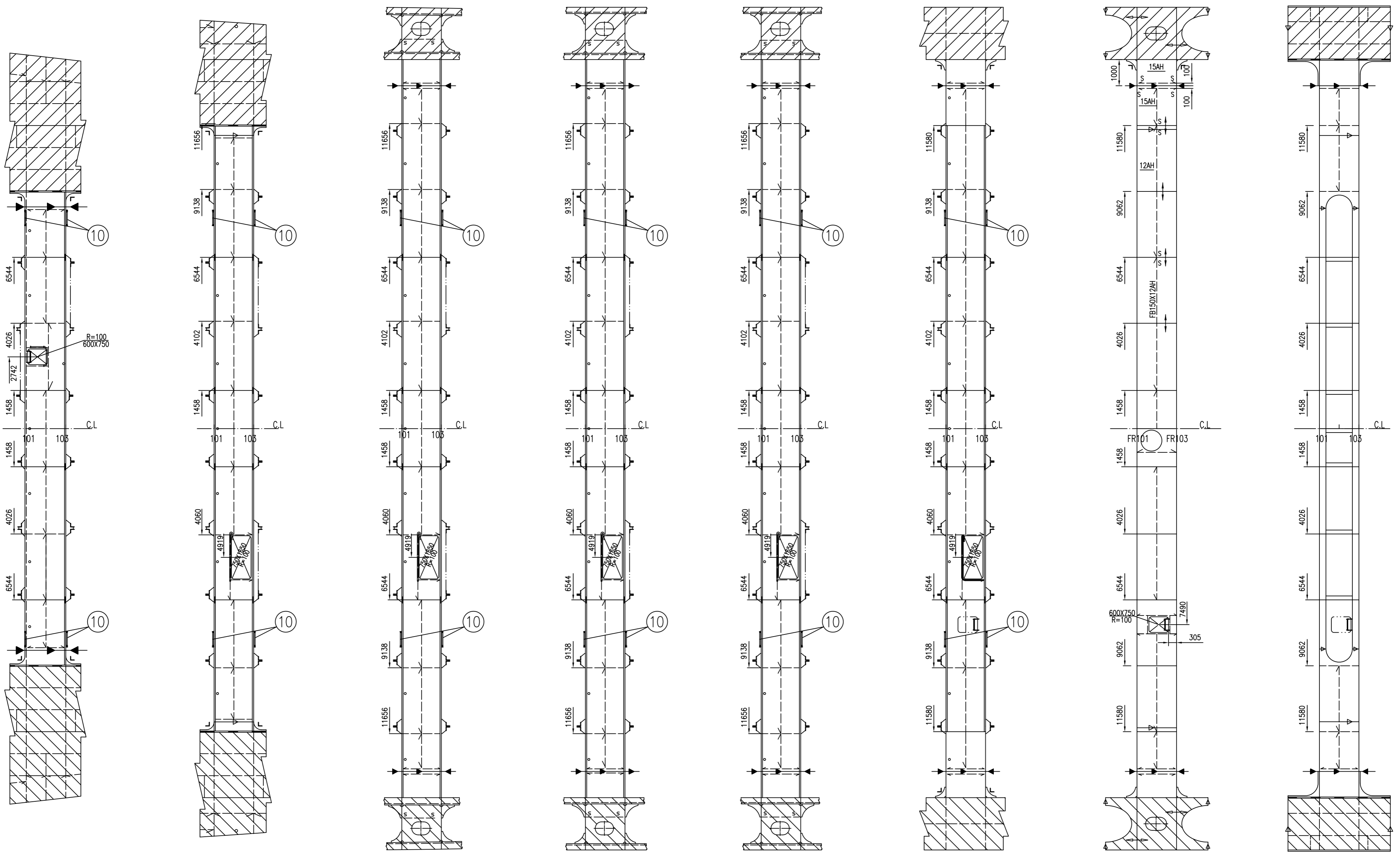
12148 PLATFORM

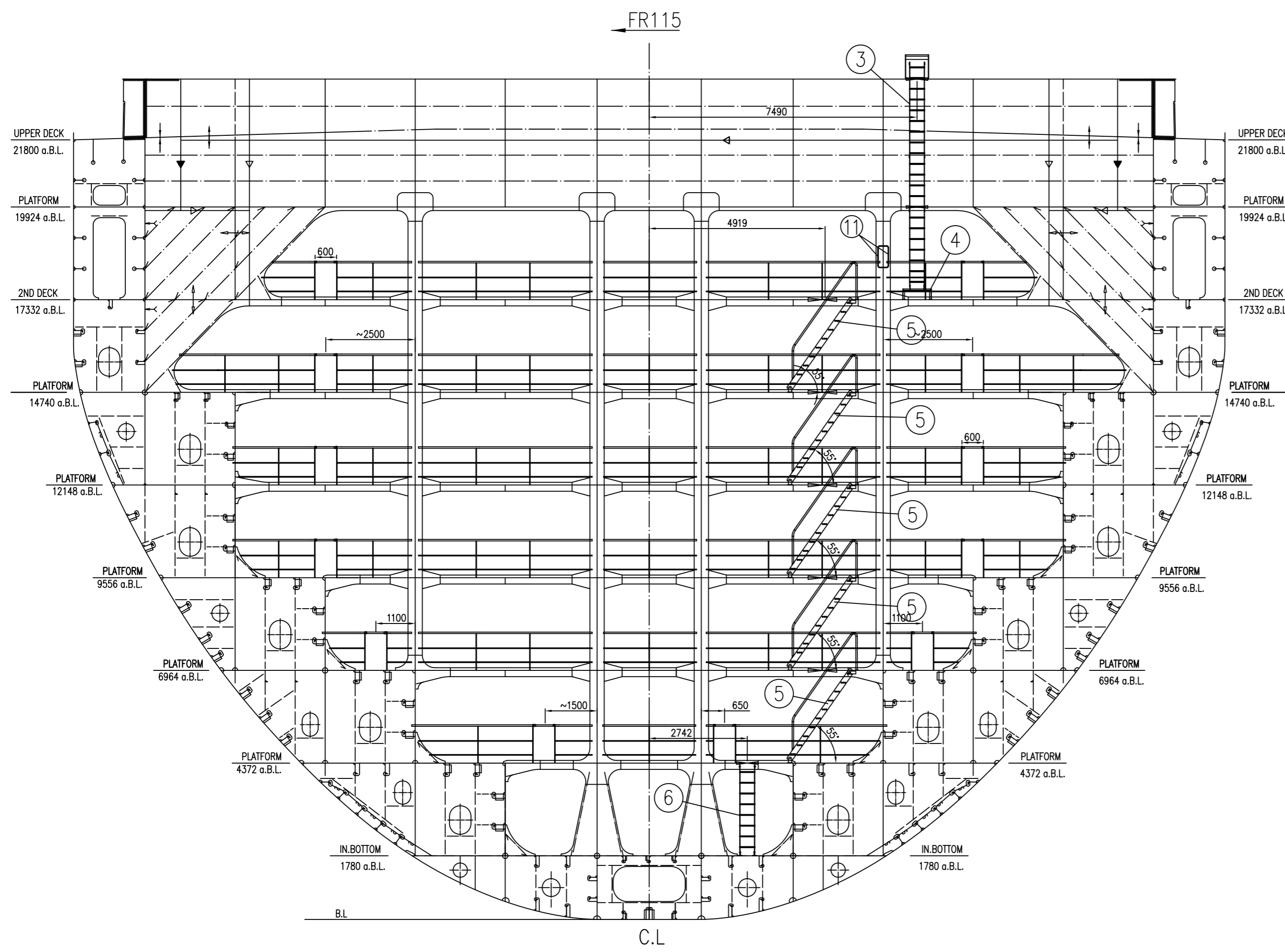
14740 PLATFORM

TWEEN DECK
17332 AB.L

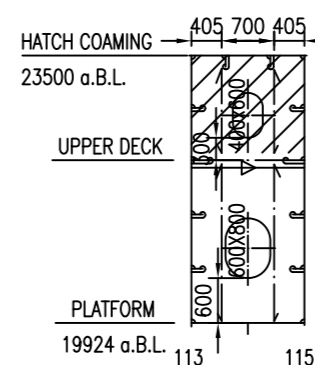
19924 PLATFORM

UPPER DECK

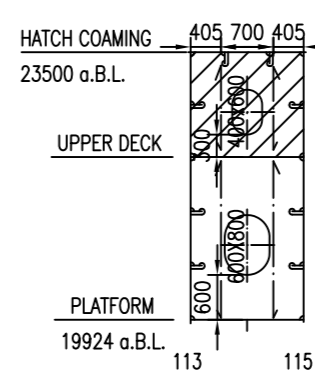




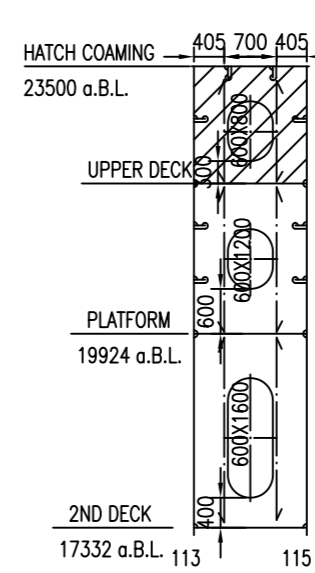
C.L SECTION
4026 OFF C.L. SIMILAR



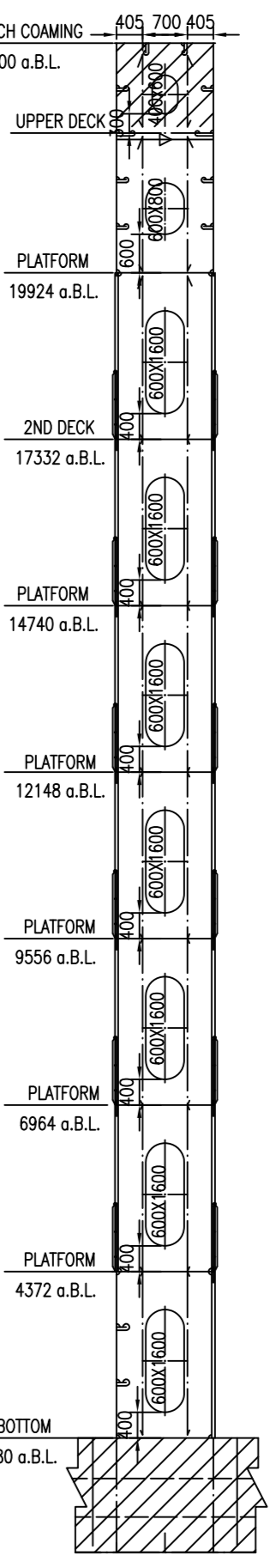
9062 OFF C.L.



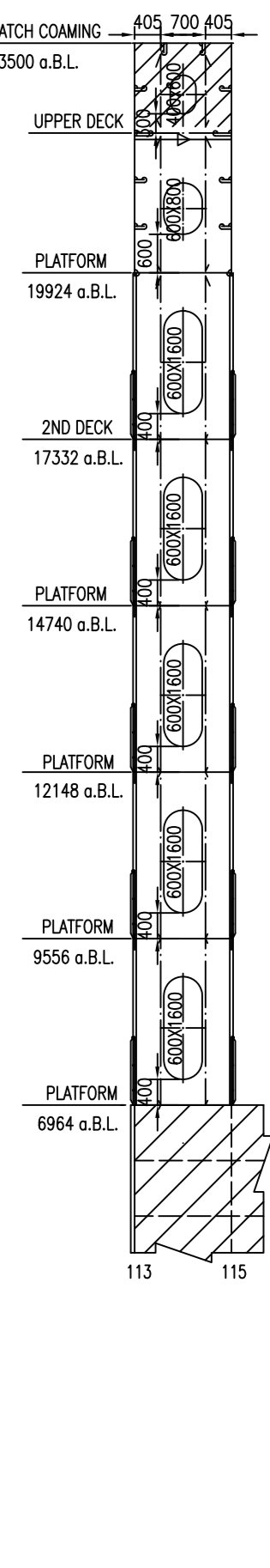
11580 OFF C.L.P.S



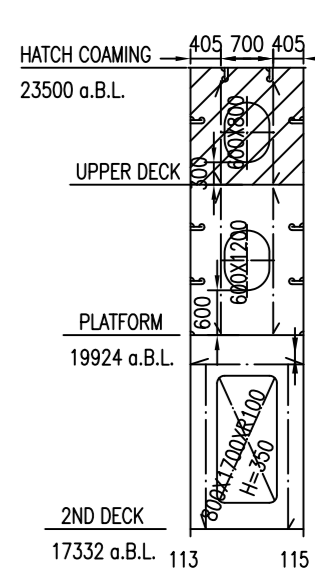
1458 OFF C.L.



6544 OFF C.L.



11580 OFF C.L.SB



4372 PLATFORM

6964 PLATFORM

9556 PLATFORM

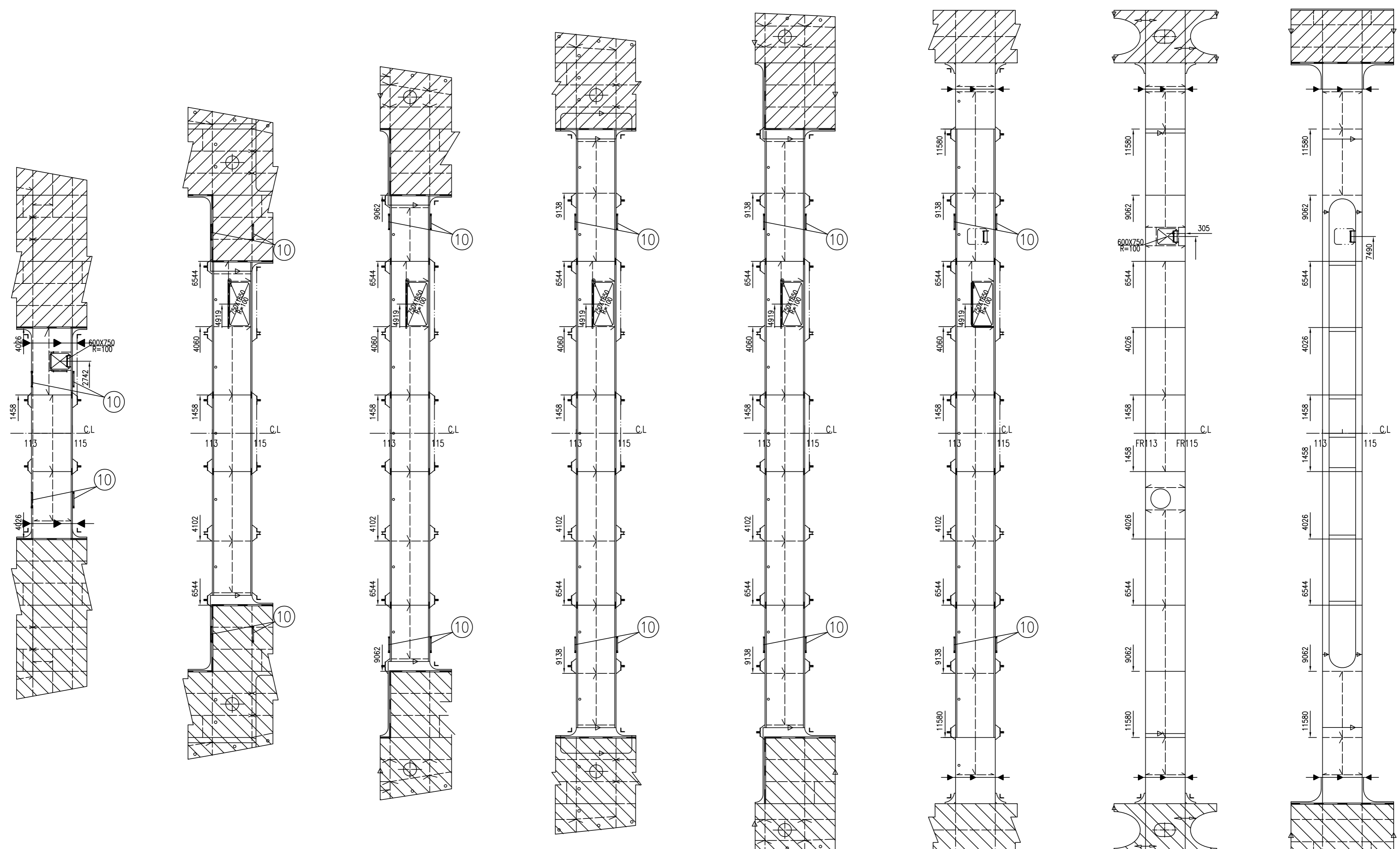
12148 PLATFORM

14740 PLATFORM

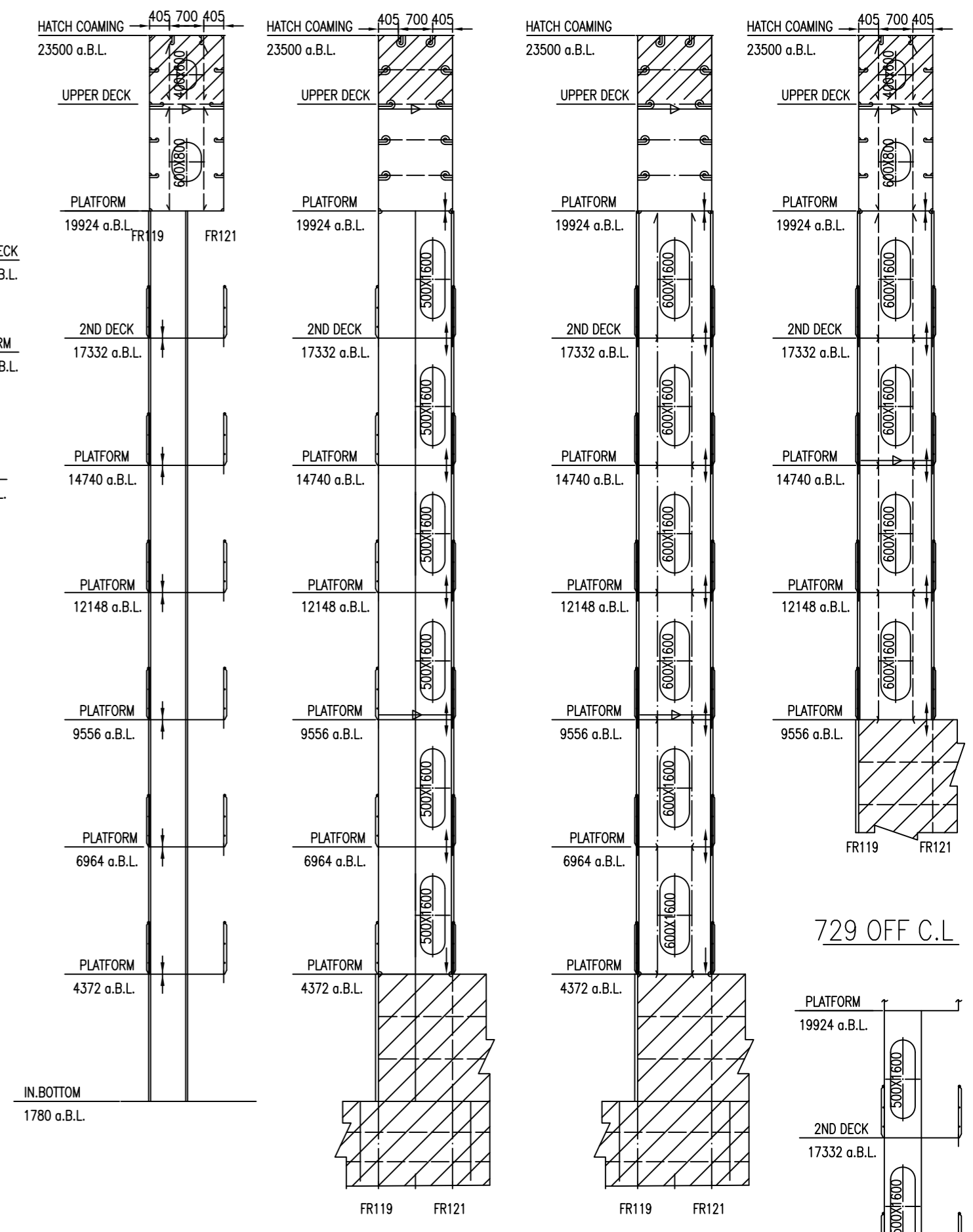
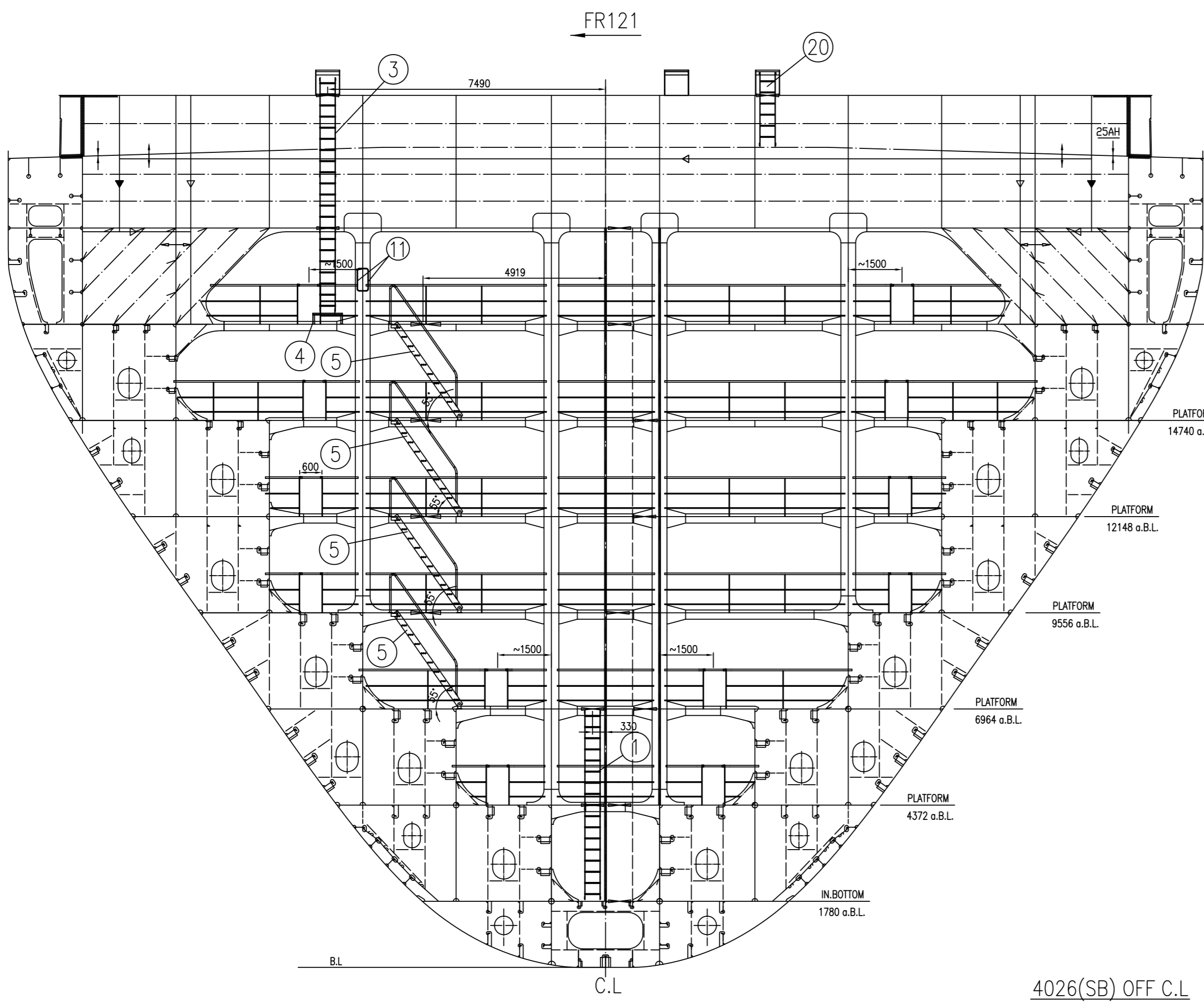
TWEEN DECK
17332 AB.L

19924 PLATFORM

UPPER DECK

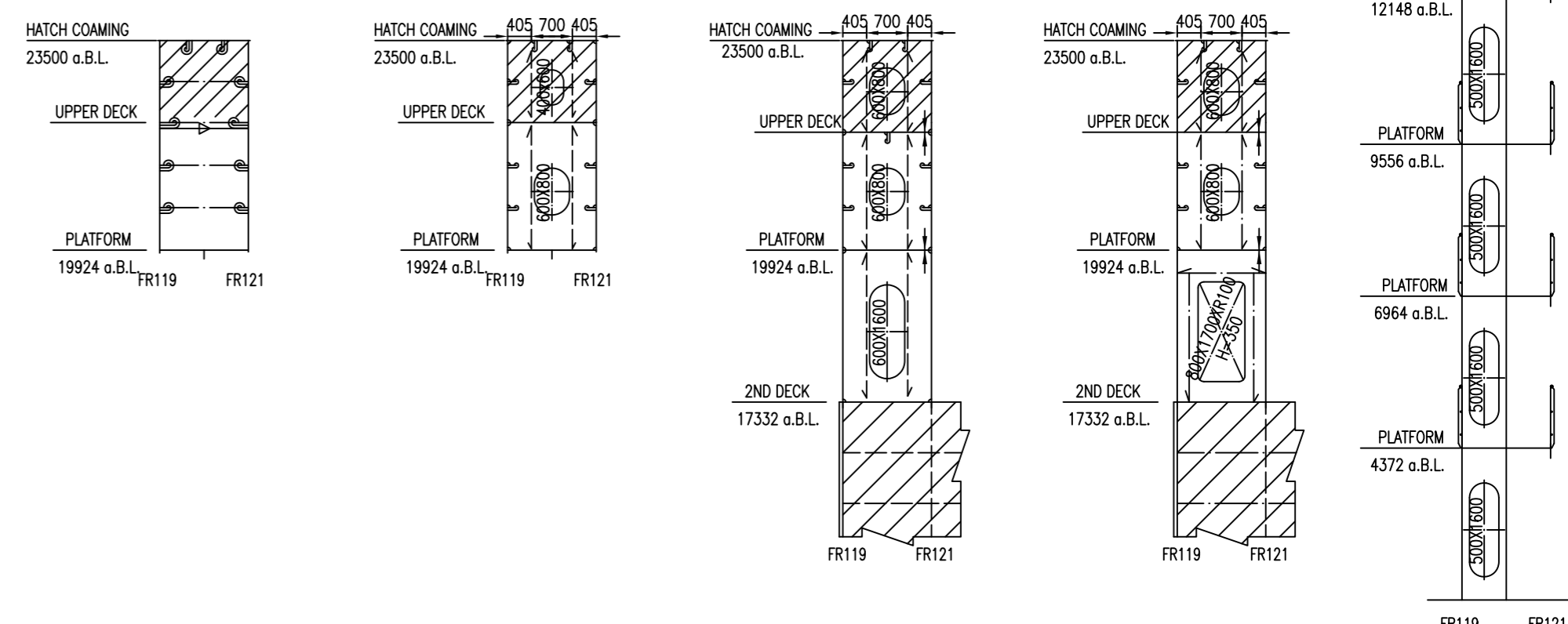


C.L SECTION 1458(PS) OFF C.L 1458(SB) OFF C.L 6544 OFF C.L

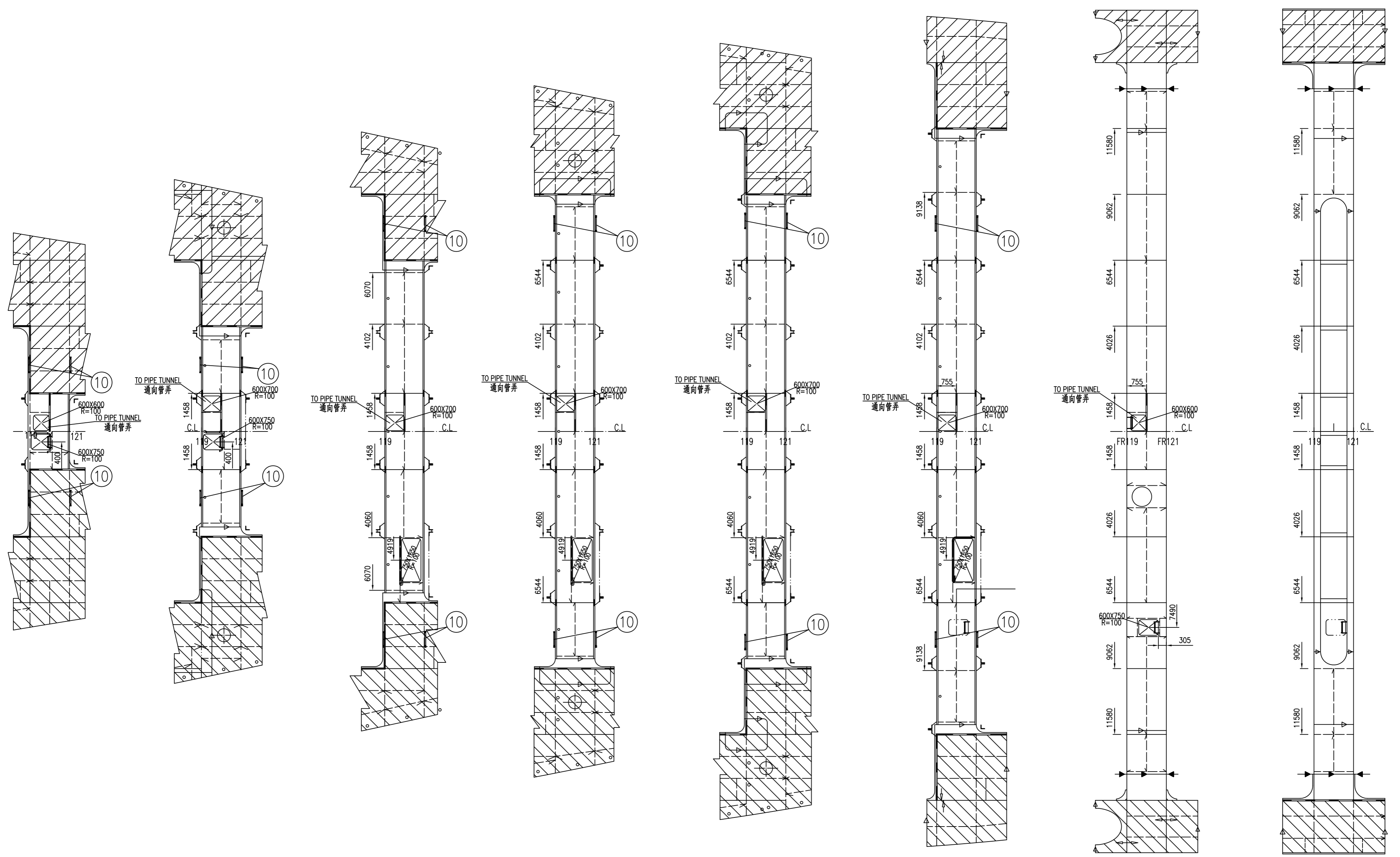


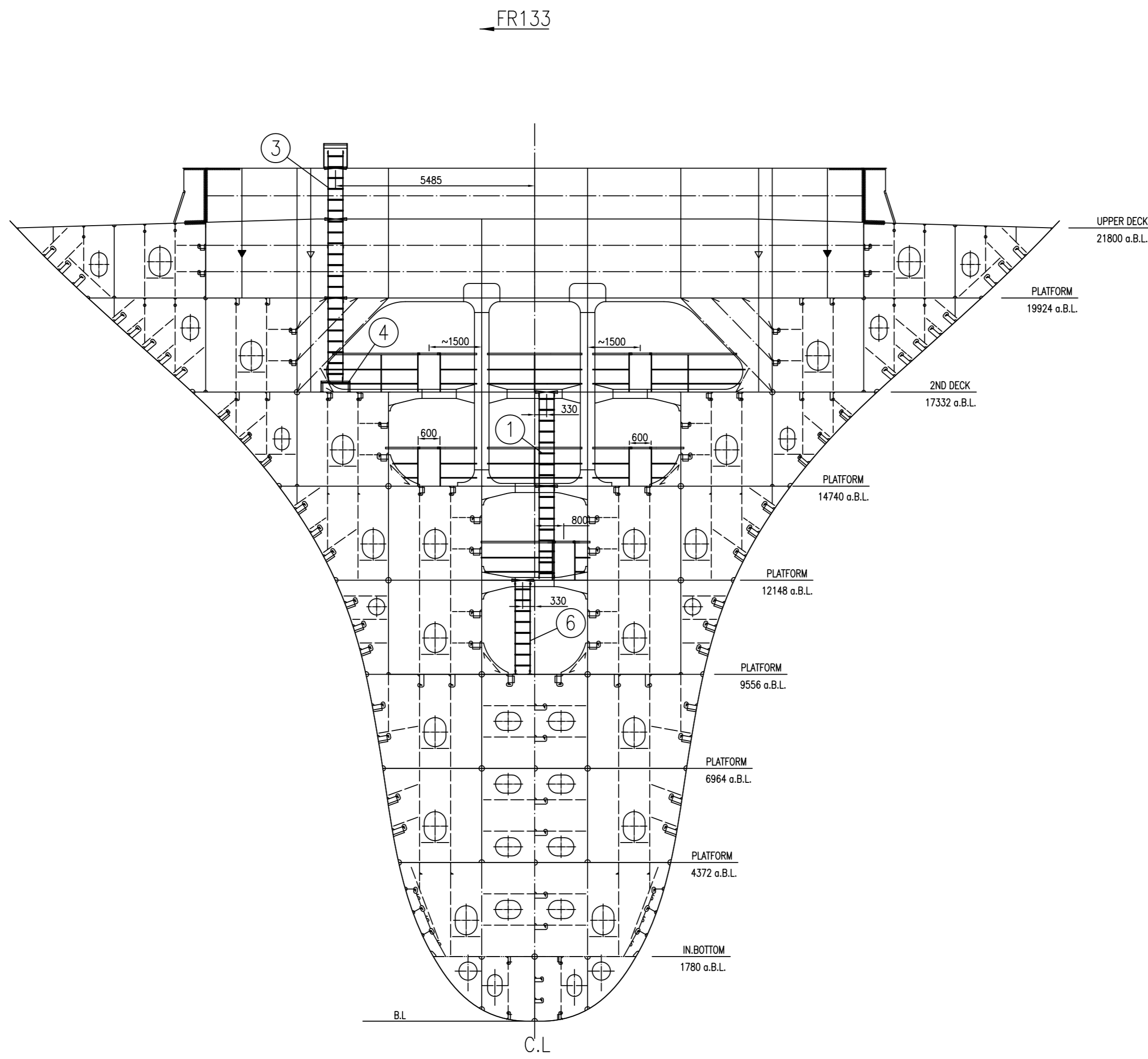
729 OFF C.L

4026(SB) OFF C.L 9062 OFF C.L 11580 OFF C.L.PS 11580 OFF C.L.SB

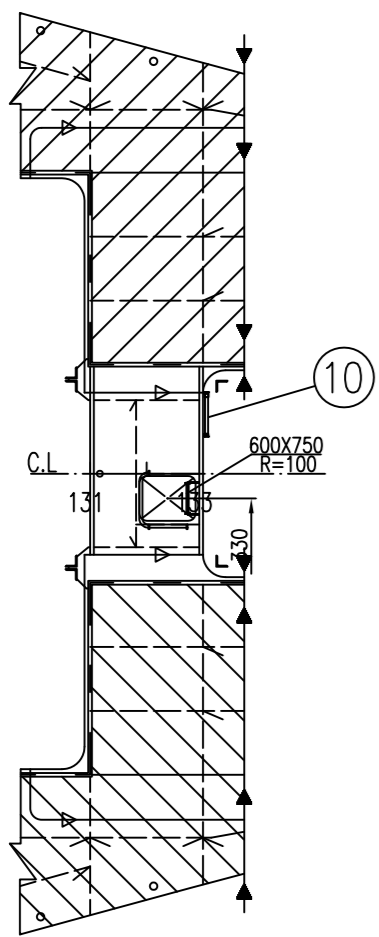


4372 PLATFORM 6964 PLATFORM 9556 PLATFORM 12148 PLATFORM 14740 PLATFORM TWEEN DECK 17332 AB.L 19924 PLATFORM UPPER DECK

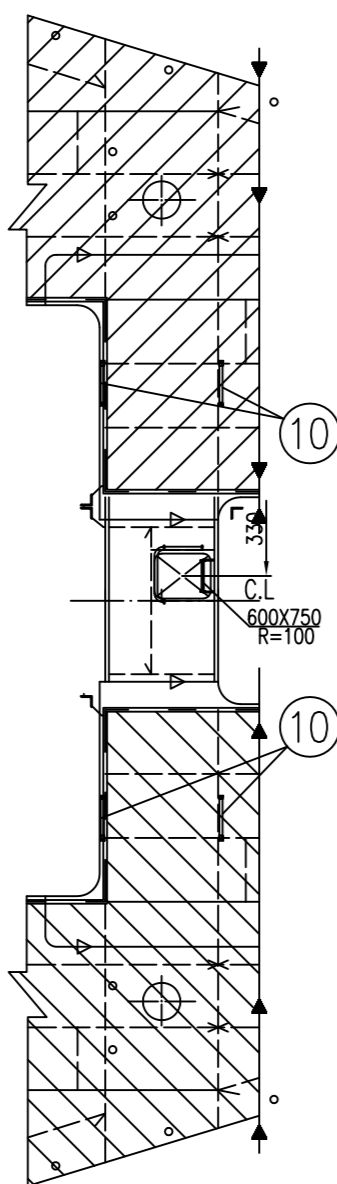




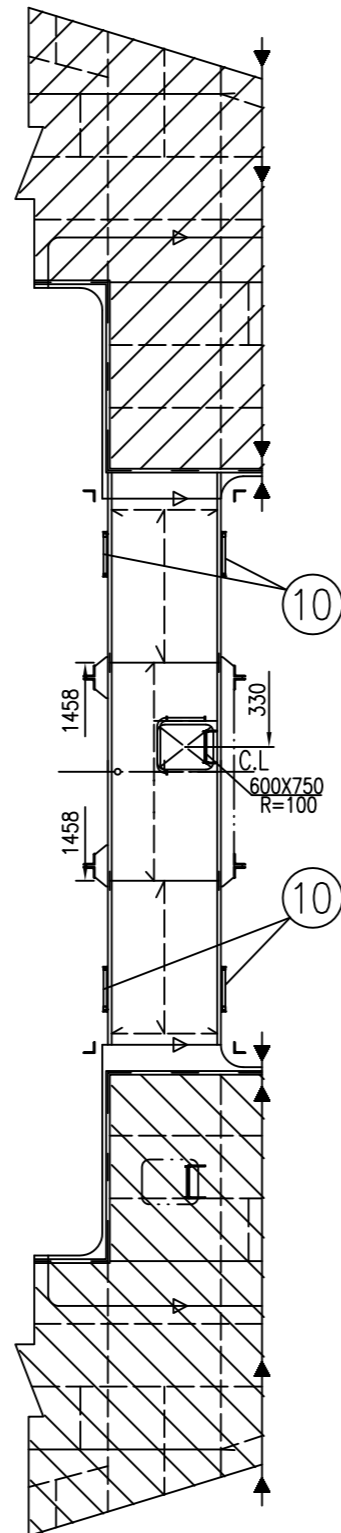
12148 PLATFORM



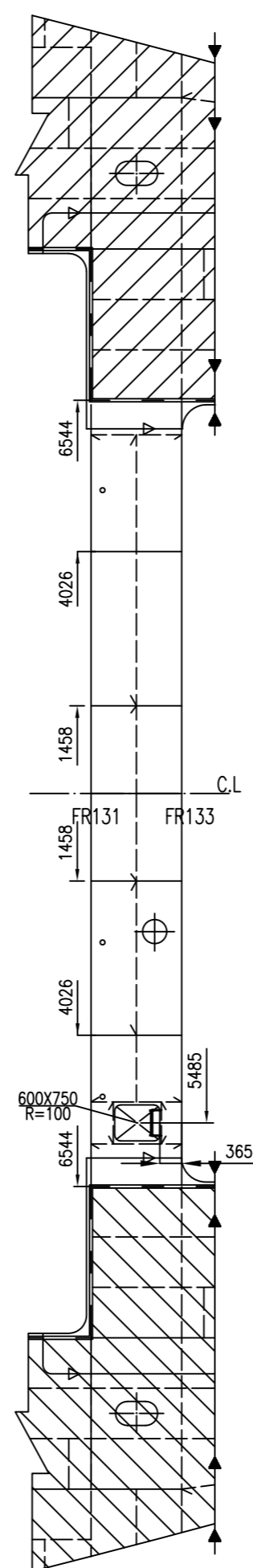
14740 PLATFORM



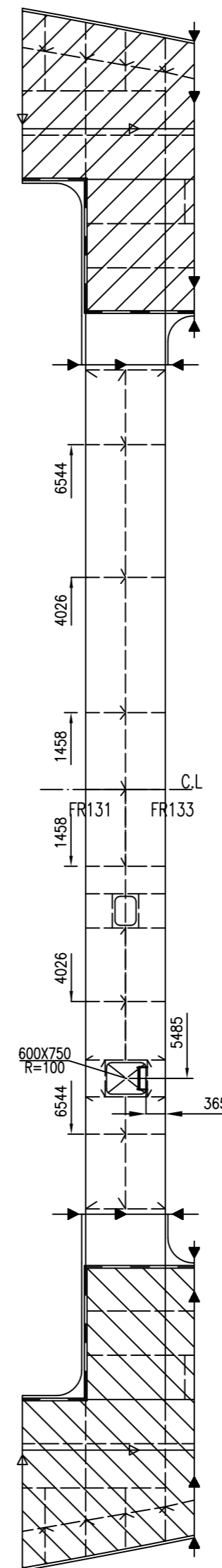
TWEEN DECK 17332 AB.L



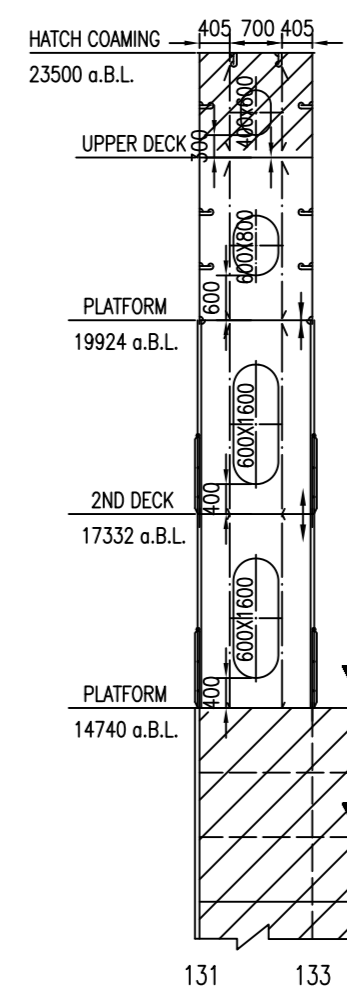
19924 PLATFORM



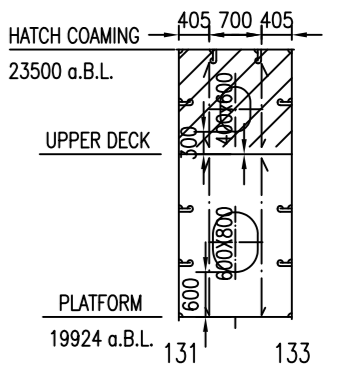
UPPER DECK



1458 OFF C.L



C.L SECTION 4026 OFF C.L SIMILAR



6544 OFF C.L

